

# PRODUCT INFORMATION PACKET



Model No: SPA4S0.5TZRY1A6027AP11-1  
Catalog No: LM24446  
1/2,1625,TEAO,48Y,1/60/115/230  
Agricultural



Regal and Leeson are trademarks of Regal Beloit Corporation or one of its affiliated companies.  
©2018 Regal Beloit Corporation, All Rights Reserved. MC017097E





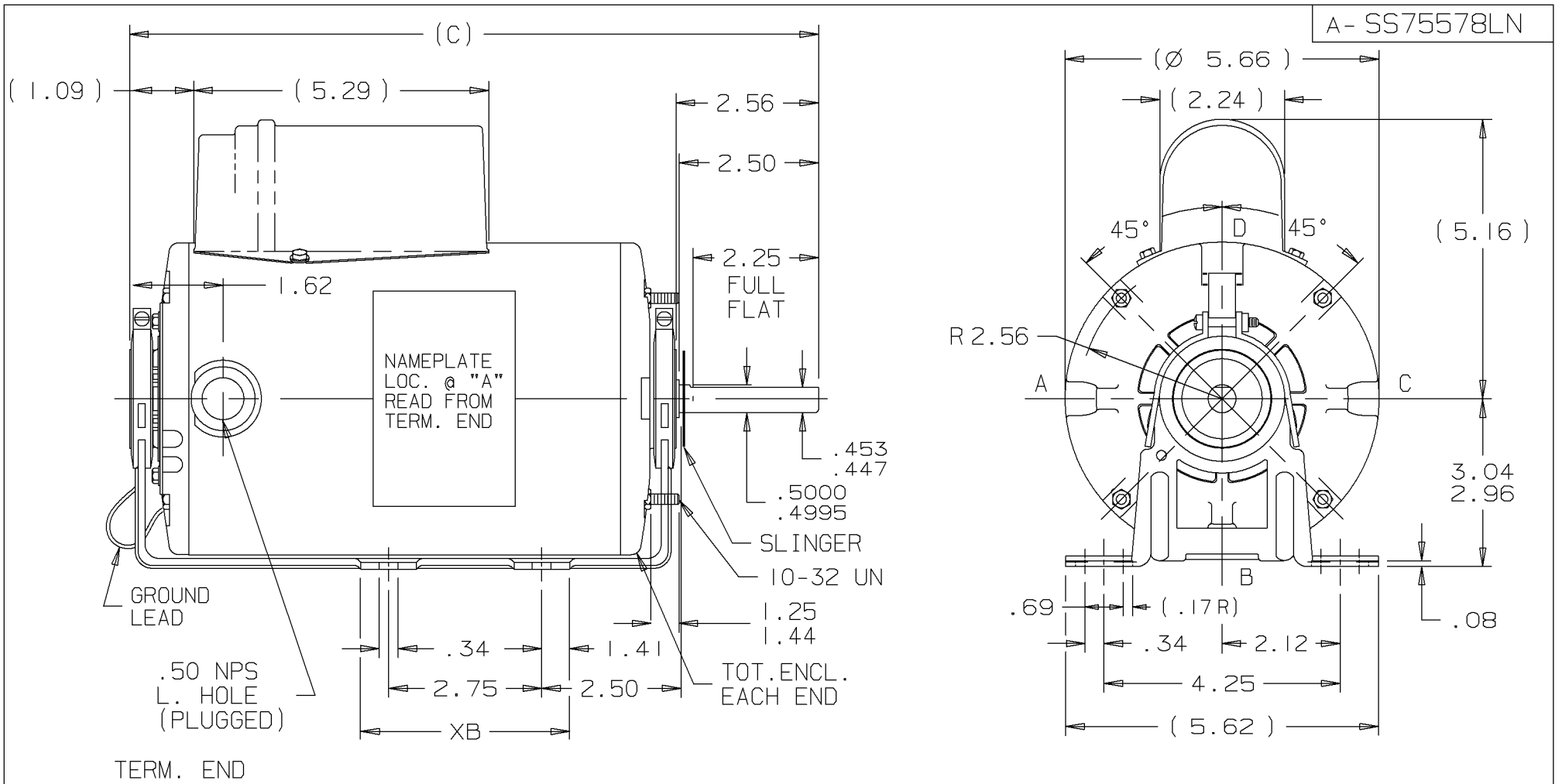
### Nameplate Specifications

Output HP	<b>0.50 Hp</b>	Output KW	<b>0.37 kW</b>
Frequency	<b>60 Hz</b>	Voltage	<b>115/230 V</b>
Current	<b>5.4/2.7 A</b>	Speed	<b>1625 rpm</b>
Service Factor	<b>1</b>	Phase	<b>1</b>
Efficiency	<b>72 %</b>	Duty	<b>Continuous</b>
Insulation Class	<b>B</b>	Design Code	<b>NO DESIGN CODE</b>
KVA Code	<b>B</b>	Frame	<b>48Z</b>
Enclosure	<b>Totally Enclosed Air Over</b>	Overload Protector	<b>No</b>
Ambient Temperature	<b>40 °C</b>	Drive End Bearing Size	<b>6203</b>
Opp Drive End Bearing Size	<b>6203</b>	UL	<b>Recognized</b>
CSA	<b>Y</b>	CE	<b>N</b>
IP Code	<b>43</b>		

### Technical Specifications

Electrical Type	<b>Permanent Split Capacitor</b>	Starting Method	<b>Across The Line</b>
Poles	<b>4</b>	Rotation	<b>Selective Counterclockwise</b>
Mounting	<b>Resilient Base</b>	Motor Orientation	<b>HORIZONTAL</b>
Drive End Bearing	<b>BALL</b>	Opp Drive End Bearing	<b>BALL</b>
Frame Material	<b>Rolled Steel</b>	Shaft Type	<b>Single Special Extension</b>
Overall Length	<b>11.81 in</b>	Frame Length	<b>7.25 in</b>
Shaft Diameter	<b>0.500 in</b>	Shaft Extension	<b>2.5 in</b>
Assembly/Box Mounting	<b>F1 ONLY</b>		
Outline Drawing	<b>A-SS75578LN-725</b>	Connection Diagram	<b>A-EE9057R-LN</b>

**This is an uncontrolled document once printed or downloaded and is subject to change without notice. Date Created: 10/15/2018**

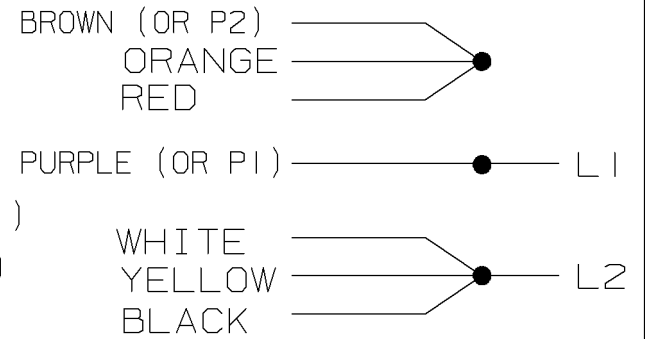


DASH	FR	XB	C	DASH	FR	XB	C
650	48	6.69	11.06	725	48	7.44	11.81
675	48	6.94	11.31				
700	48	7.19	11.56				

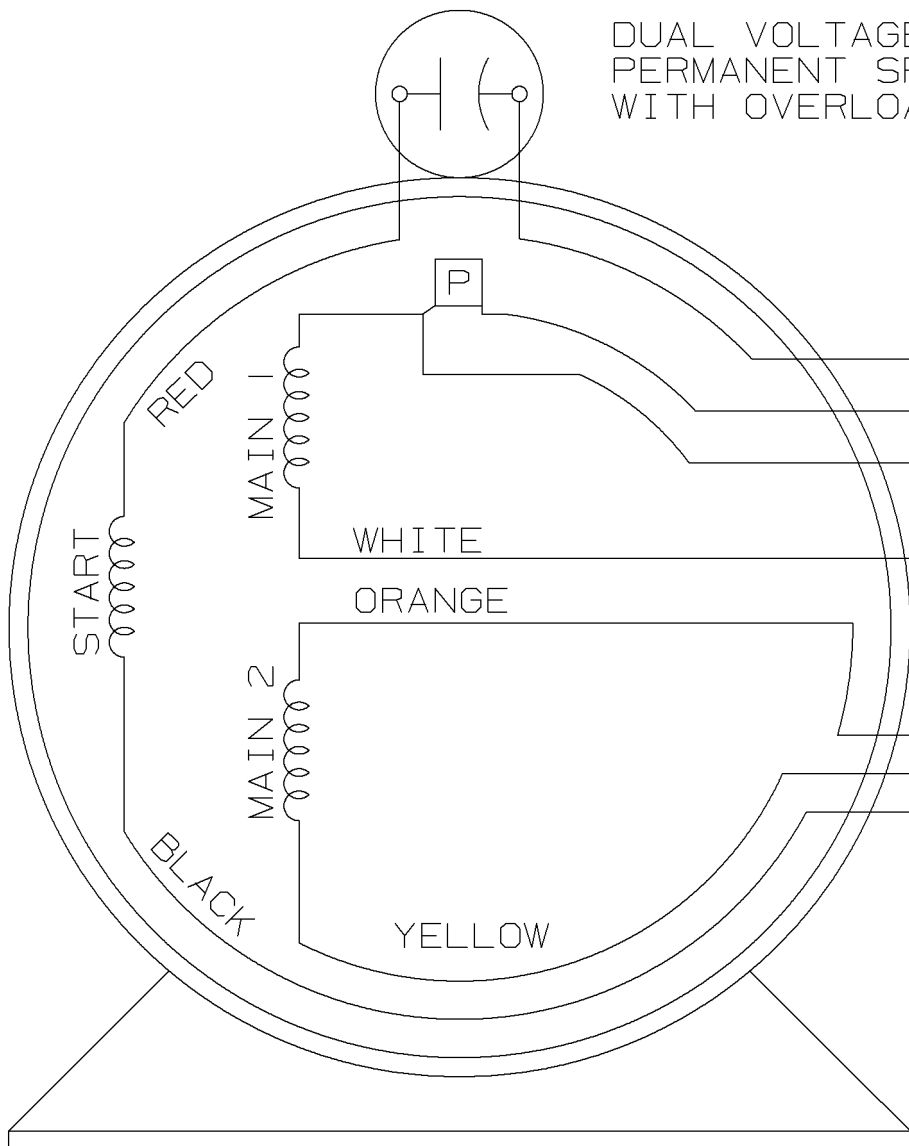
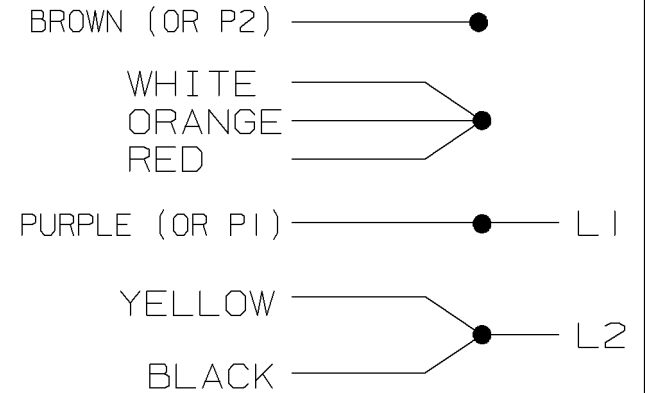
				<b>Lincoln MOTORS</b>				<input checked="" type="checkbox"/> UNLESS OTHERWISE SPECIFIED DIMENSIONS ARE IN INCHES TOL. ON XX±.02 XXX±.005 XXXX±.0005 ANGLES± 7°30"							
				MAX. SURFACE ROUGHNESS UNLESS OTHERWISE NOTED				DRAWN BY TJB		11-23-1999					
				FINISH				CHKD BY ML		11-24-1999					
				MATERIAL				APPD BY GK		11-24-1999					
REV				DATE				CHANGE				NAME			
I				11-24-1999				NEW DRAWING				TJB			
PART NAME								OUTLINE				DRWG NO			
												A - SS75578LN			
				PURCHASED				CADD FILE NO.				SS75578LN			

DUAL VOLTAGE MOTOR  
PERMANENT SPLIT CAPACITOR  
WITH OVERLOAD PROTECTION

LOW VOLTAGE  
CCW ROTATION



HIGH VOLTAGE  
CCW ROTATION



VIEW OF TERMINAL END

TO REVERSE ROTATION, EITHER  
VOLTAGE, INTERCHANGE RED WITH BLACK

					UNLESS OTHERWISE SPECIFIED DIMENSIONS ARE IN INCHES TOL. ON XX± .02    XXX± .005    XXXX± .0005    ANGLES± 7'30"			
					MAX. SURFACE ROUGHNESS UNLESS OTHERWISE NOTED			DRAWN BY TJB 11-19-1999
				FINISH			CHKD BY ML 11-22-1999	
				MATERIAL			APPD BY GK 11-22-1999	
REV	DATE	CHANGE	NAME	PART NAME CONNECTION DIAGRAM				DRWG NO A - EE9057R-LN
				PURCHASED		CADD FILE NO. EE9057R-LN		

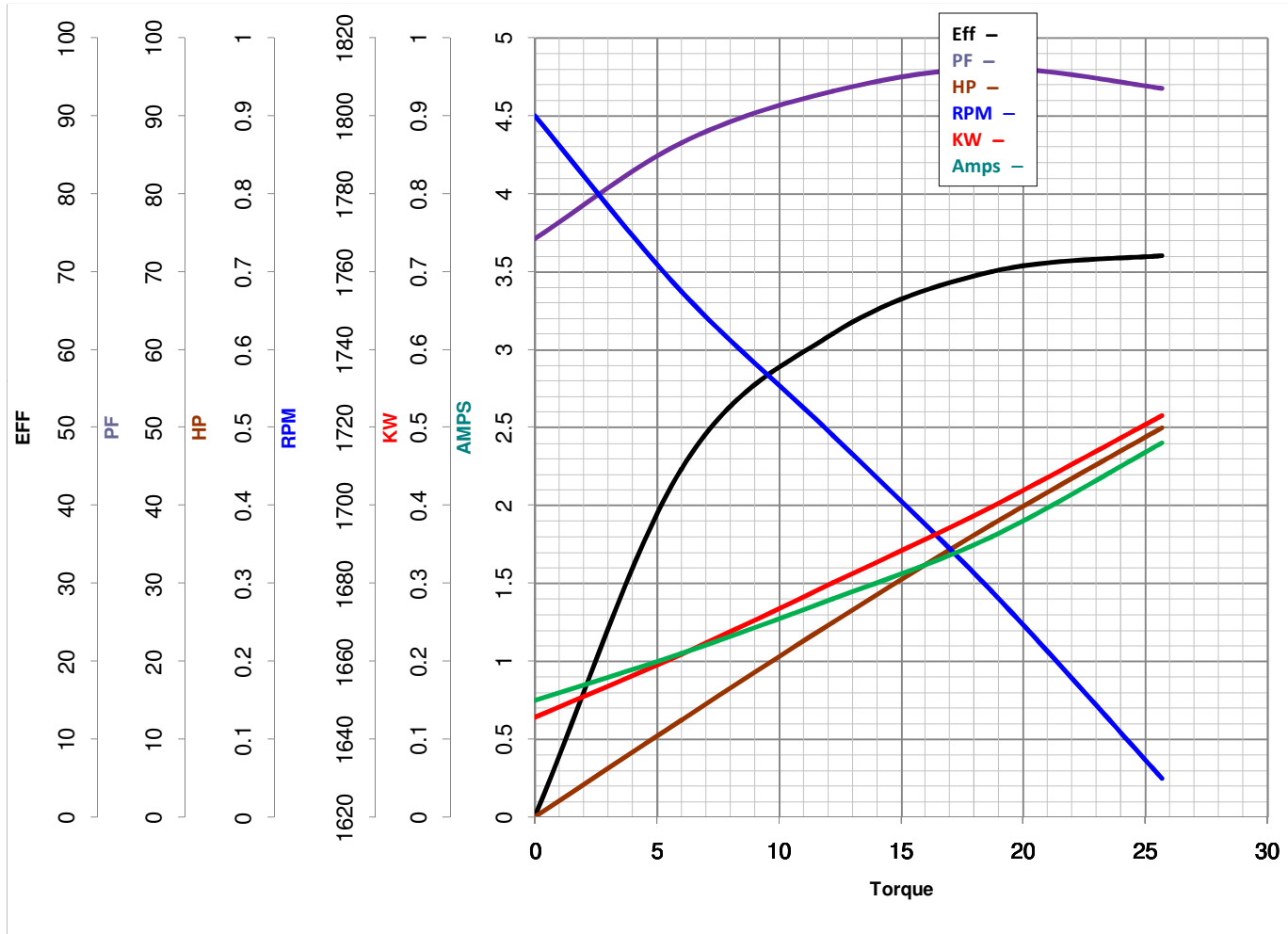


**LEESON ELECTRIC CORPORATION**  
 TYPICAL PERFORMANCE CURVE for AC MOTOR

Model No LM24446

Catalog No LM24446C

Curve at 230 Volts      HP 0.50      PHASE 1  
60 HZ  
0.5 HP      VOLTS 115/230  
    HZ 60      RPM 1625



Torque in Oz.Ft

FL TORQUE 25.7 Oz.Ft  
 BD TORQUE 46.1 Oz.Ft  
 LR TORQUE 17.8 Oz.Ft

FL AMPS 5.4/2.7  
 PU TORQUE 16.4 Oz.Ft  
 LR AMPS 7.74

WINDING PE484278-3

Date 4/23/2018