

PRODUCT INFORMATION PACKET



Model No: SPA4S0.25TZRY1A6027AP11-1
Catalog No: LM24445
1/4,1625,TEAO,48Z,1/60/115/230
Agricultural



Regal and Leeson are trademarks of Regal Beloit Corporation or one of its affiliated companies.
©2018 Regal Beloit Corporation, All Rights Reserved. MC017097E





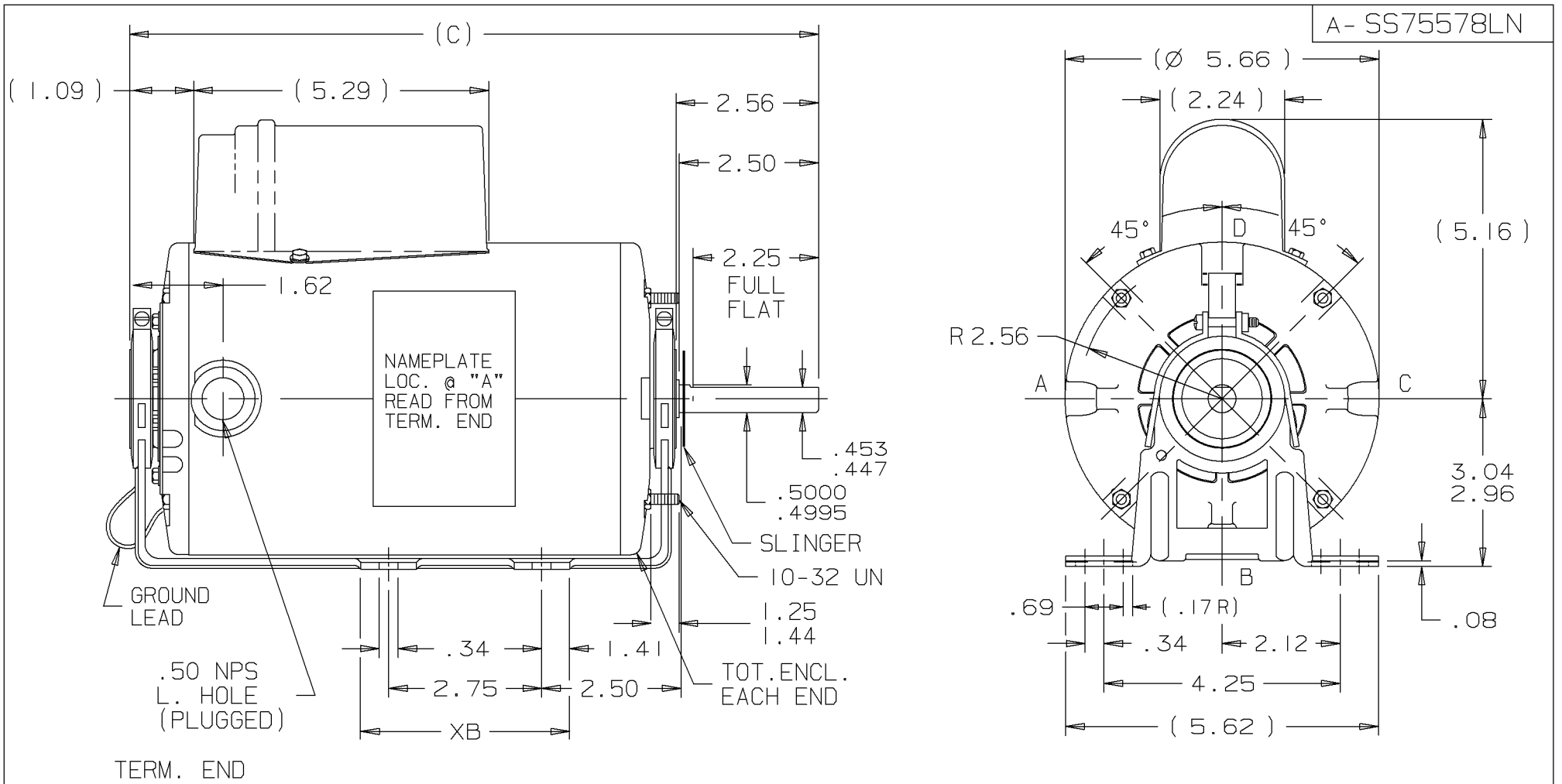
Nameplate Specifications

Output HP	0.25 Hp	Output KW	0.19 kW
Frequency	60 Hz	Voltage	115/230 V
Current	2.8/1.4 A	Speed	1625 rpm
Service Factor	1	Phase	1
Efficiency	68 %	Duty	Continuous
Insulation Class	B	Design Code	NO DESIGN CODE
KVA Code	F	Frame	48Z
Enclosure	Totally Enclosed Air Over	Overload Protector	Automatic Lock Rotor Only
Ambient Temperature	40 °C	Drive End Bearing Size	6203
Opp Drive End Bearing Size	6203	UL	Recognized
CSA	Y	CE	N
IP Code	43		

Technical Specifications

Electrical Type	Permanent Split Capacitor	Starting Method	Across The Line
Poles	4	Rotation	Selective Counterclockwise
Mounting	Resilient Base - Extended Studs	Motor Orientation	HORIZONTAL
Drive End Bearing	BALL	Opp Drive End Bearing	BALL
Frame Material	Rolled Steel	Shaft Type	Single Special Extension
Overall Length	11.06 in	Frame Length	6.50 in
Shaft Diameter	0.500 in	Shaft Extension	2.5 in
Assembly/Box Mounting	F1 ONLY		
Outline Drawing	A-SS75578LN-650	Connection Diagram	A-EE9057N-LN

This is an uncontrolled document once printed or downloaded and is subject to change without notice. Date Created: 10/15/2018

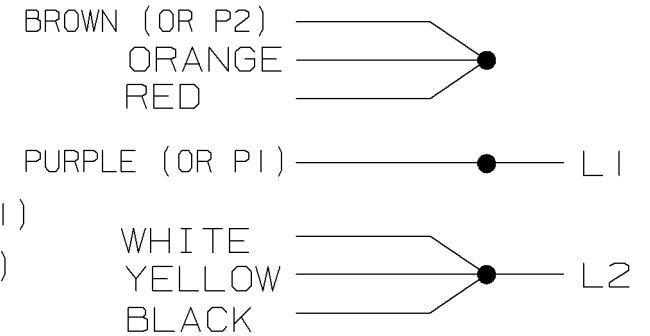


DASH	FR	XB	C	DASH	FR	XB	C
650	48	6.69	11.06	725	48	7.44	11.81
675	48	6.94	11.31				
700	48	7.19	11.56				

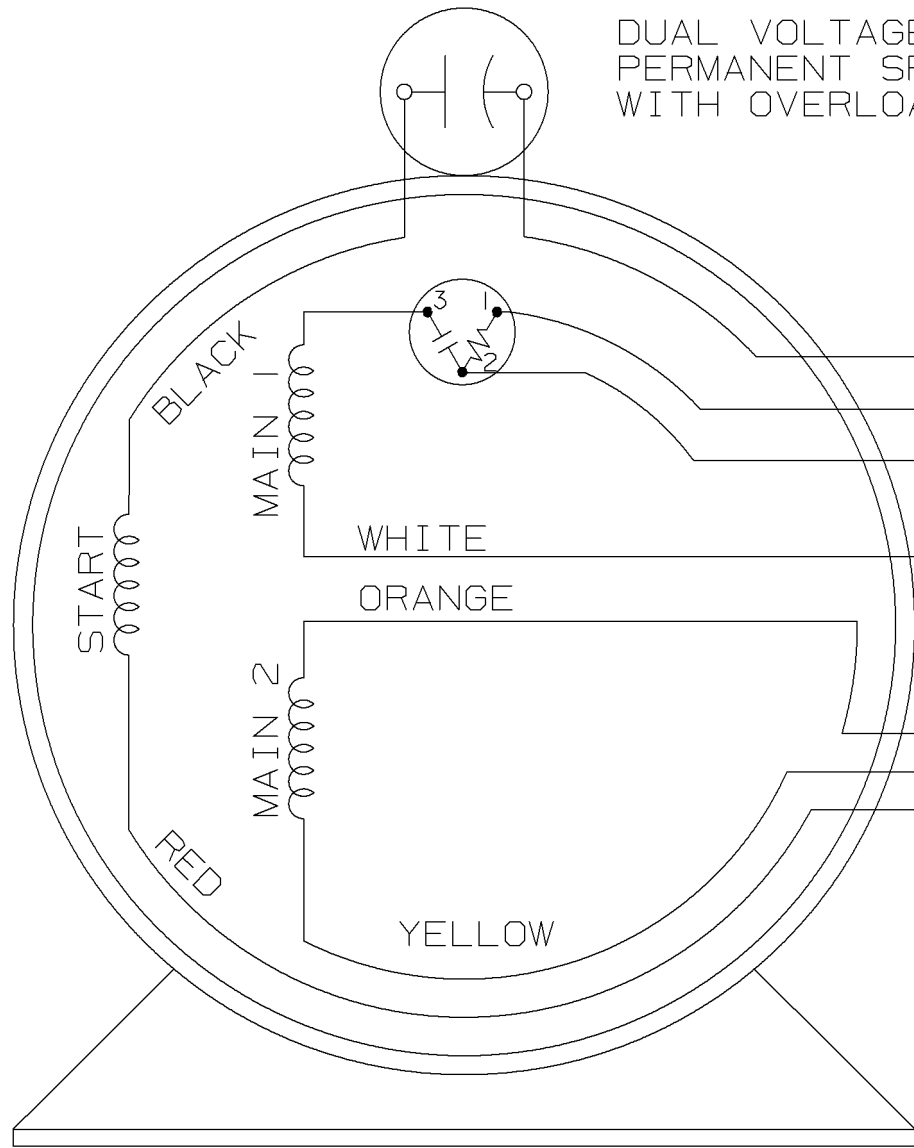
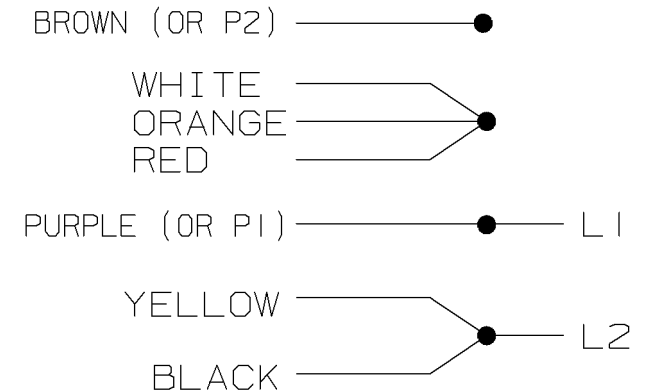
				Lincoln MOTORS				<input checked="" type="checkbox"/> UNLESS OTHERWISE SPECIFIED DIMENSIONS ARE IN INCHES TOL. ON XX±.02 XXX±.005 XXXX±.0005 ANGLES± 7°30"							
				MAX. SURFACE ROUGHNESS UNLESS OTHERWISE NOTED				DRAWN BY TJB		11-23-1999					
				FINISH				CHKD BY ML		11-24-1999					
				MATERIAL				APPD BY GK		11-24-1999					
REV				DATE				CHANGE				NAME			
I				11-24-1999				NEW DRAWING				TJB			
PART NAME								OUTLINE				DRWG NO			
												A - SS75578LN			
				PURCHASED				CADD FILE NO.				SS75578LN			

DUAL VOLTAGE MOTOR
PERMANENT SPLIT CAPACITOR
WITH OVERLOAD PROTECTION

LOW VOLTAGE
CCW ROTATION



HIGH VOLTAGE
CCW ROTATION



VIEW OF TERMINAL END

TO REVERSE ROTATION, EITHER
VOLTAGE, INTERCHANGE RED WITH BLACK

					UNLESS OTHERWISE SPECIFIED DIMENSIONS ARE IN INCHES TOL. ON XX± .02 XXX± .005 XXXX± .0005 ANGLES± 7'30"			
					MAX. SURFACE ROUGHNESS UNLESS OTHERWISE NOTED			DRAWN BY TJB 11-22-1999
				FINISH			CHKD BY ML 11-22-1999	
				MATERIAL			APPD BY GK 11-22-1999	
REV	DATE	CHANGE	NAME	PART NAME CONNECTION DIAGRAM				DRWG NO A- EE9057N-LN
				PURCHASED		CADD FILE NO. EE9057N-LN		

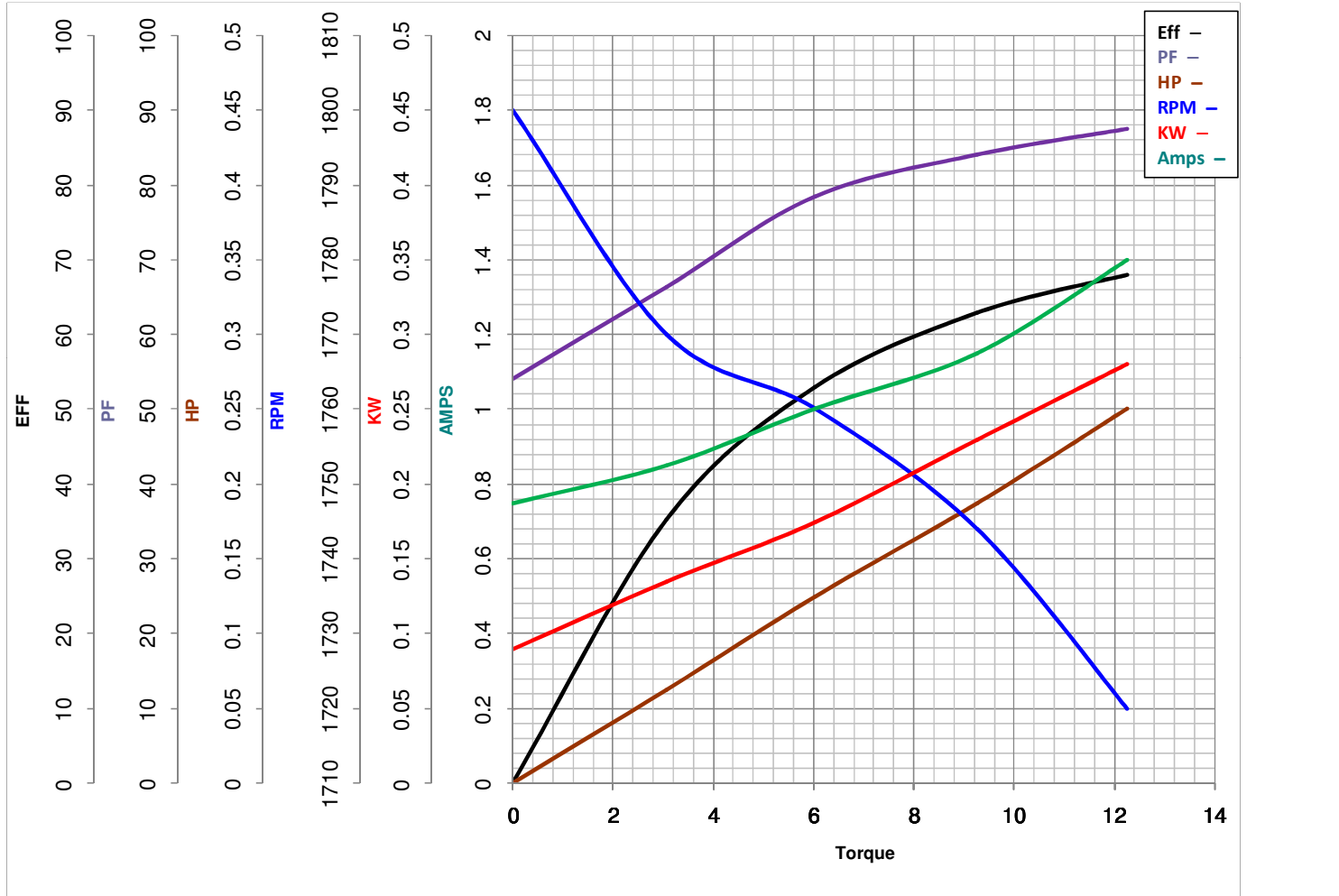


LEESON ELECTRIC CORPORATION
TYPICAL PERFORMANCE CURVE for AC MOTOR

Model No LM24445

Catalog No LM24445C

Curve at 230 Volts HP 0.25 PHASE 1
60 HZ
0.25 HP VOLTS 115/230
 HZ 60 RPM 1625



FL TORQUE	<u>12.25</u> Oz.Ft	FL AMPS	<u>2.8/1.4</u>
BD TORQUE	<u>31.9</u> Oz.Ft	PU TORQUE	<u>7.5</u> Oz.Ft
LR TORQUE	<u>8.5</u> Oz.Ft	LR AMPS	<u>6.3</u>
WINDING	PE484274-3	Date	4/18/2018