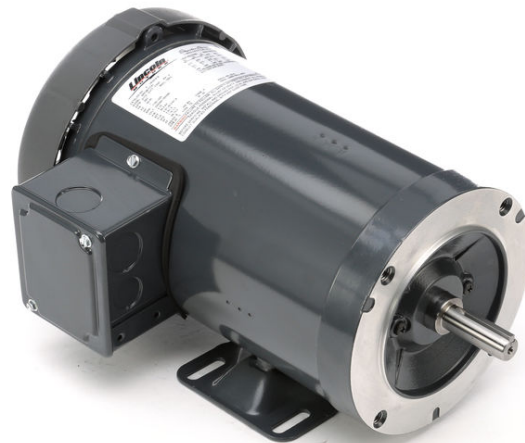


PRODUCT INFORMATION PACKET



Model No: SRF4S0.75TC65
Catalog No: LM24354
3/4, 1725, TEFC, 56C, 3/60/575
575 Volts



Regal and Leeson are trademarks of Regal Beloit Corporation or one of its affiliated companies.
©2018 Regal Beloit Corporation, All Rights Reserved. MC017097E





Nameplate Specifications

Output HP	0.75 Hp	Output KW	0.56 kW
Frequency	60 Hz	Voltage	575 V
Current	1.1 A	Speed	1725 rpm
Service Factor	1.15	Phase	3
Efficiency	75.5 %	Duty	Continuous
Insulation Class	B	Design Code	B
KVA Code	L	Frame	56C
Enclosure	Totally Enclosed Fan Cooled	Overload Protector	No
Ambient Temperature	40 °C	Drive End Bearing Size	203
Opp Drive End Bearing Size	203	UL	Recognized
CSA	Y	CE	N
IP Code	43		

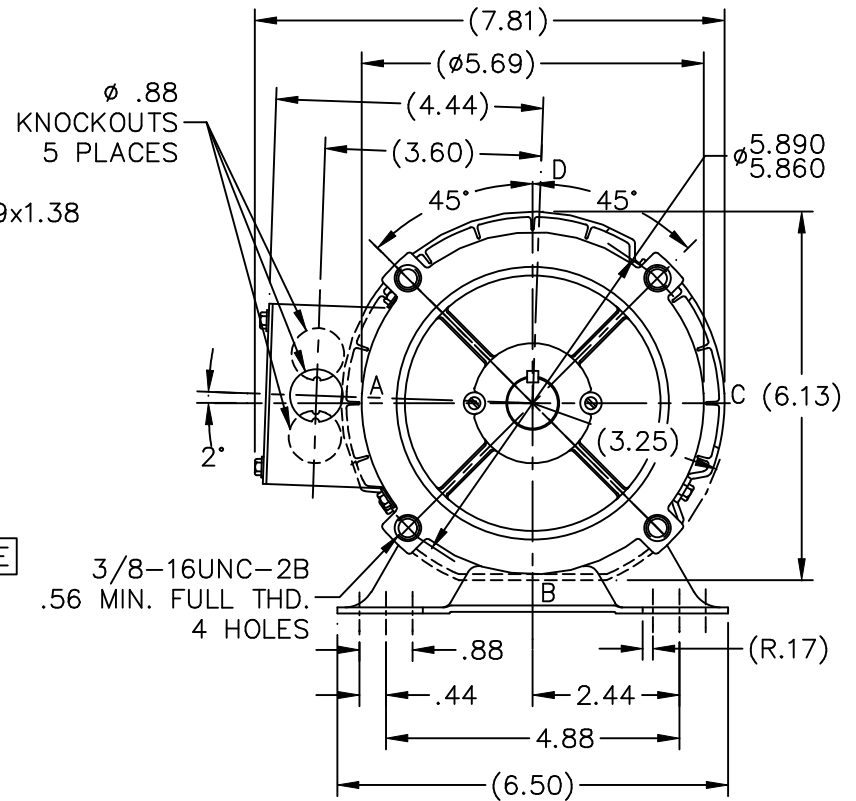
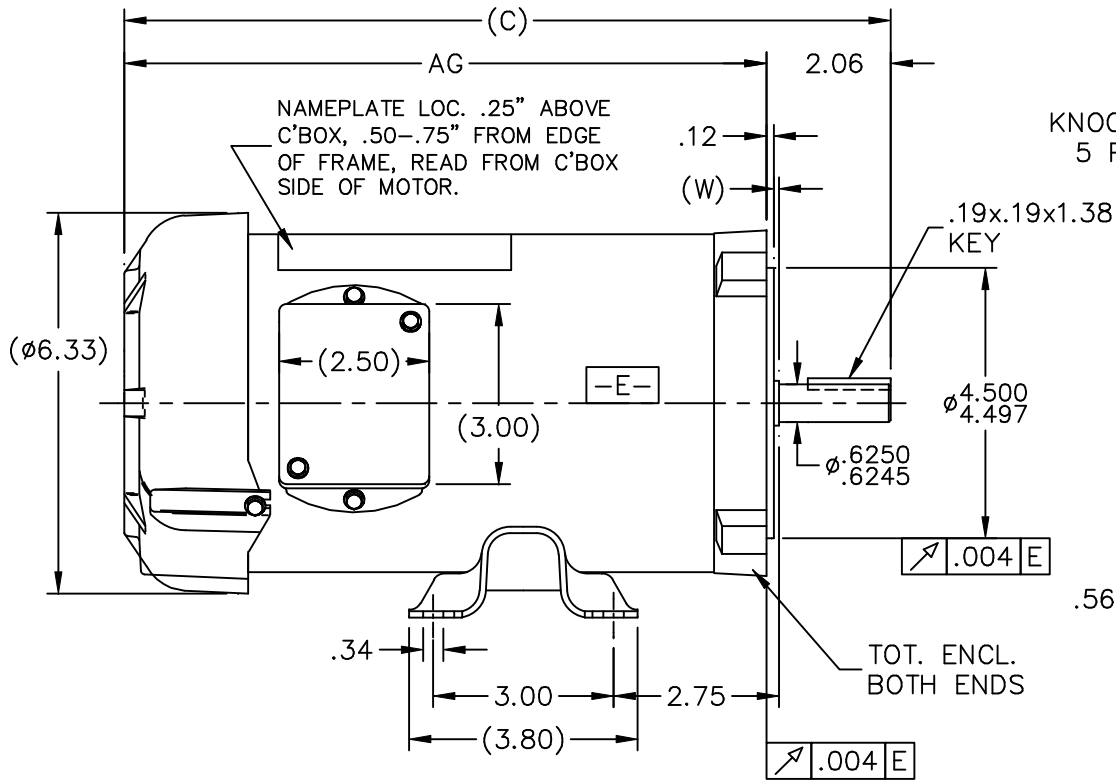
Technical Specifications

Electrical Type	Squirrel Cage Induction Run	Starting Method	Across The Line
Poles	4	Rotation	Reversible
Mounting	Rigid base	Motor Orientation	HORIZONTAL
Drive End Bearing	BALL	Opp Drive End Bearing	BALL
Frame Material	Rolled Steel	Shaft Type	NEMA 56
Overall Length	11.19 in	Frame Length	6.25 in
Shaft Diameter	0.625 in	Shaft Extension	1.88 in
Assembly/Box Mounting	F1 ONLY		
Outline Drawing	A-SS75180LN-625	Connection Diagram	A-EE7300-LN

This is an uncontrolled document once printed or downloaded and is subject to change without notice. Date Created: 10/15/2018

'W' = CLEARANCE ALLOWED FOR ALL VARIANCES
IN MANUFACTURING & ASSEMBLY

SS75180LN



DASH	C	AG	DASH	C	AG
500	9.94	7.88	625	11.19	9.13
525	10.19	8.13	550	10.44	8.38
575	10.69	8.63			

				TOLERANCES UNLESS SPECIFIED		Lincoln MOTORS	DRAWN BLR 06-11-1999					
				DEC.	INCHES		CHK ML 06-17-1999					
				.X	±.1		APPD GK 06-17-1999					
				.XX	±.03		SCALE 5=16					
				.XXX	±.005	TITLE	OUTLINE					
1	NEW DRAWING	BLR 06-17-1999		.XXXX	±.0005	MAT'L.	REF					
NO.	REVISION	BY & DATE	CHK	ANG	±7'30"	FINISH	PREV					
			RFP	06-17-1999		CAD FILE	ss75180ln	SIZE	DRAWING NO.	PAGE	OF	REV.
			DIST	WP				A	SS75180LN			1

THIS DRAWING IN DESIGN AND DETAIL IS OUR PROPERTY AND MUST NOT BE USED EXCEPT IN CONNECTION WITH OUR WORK ALL RIGHTS OF DESIGN AND INVENTION ARE RESERVED THIS IS AN ELECTRONICALLY GENERATED DOCUMENT - DO NOT SCALE THIS PRINT

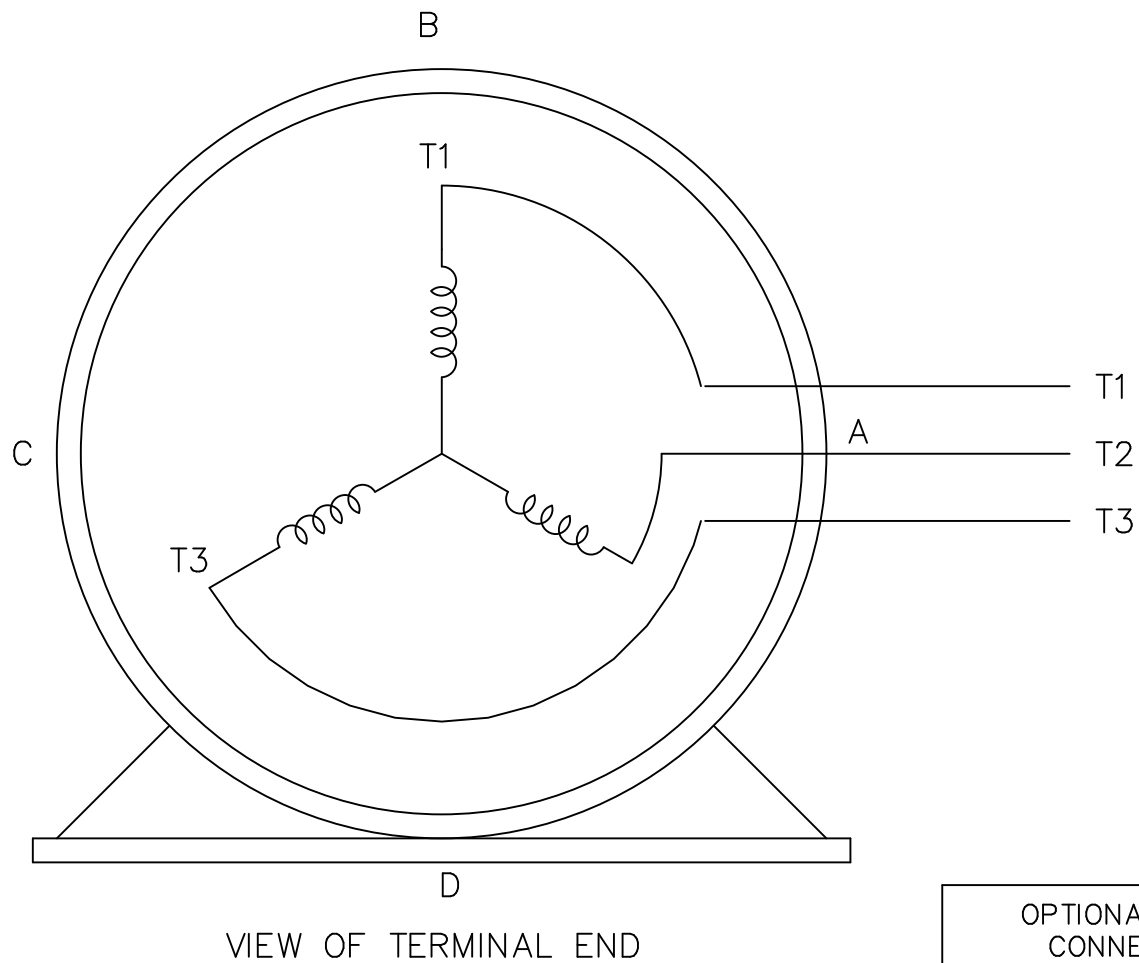
7/26/2007 2:30:56 PM -

Dealers Industrial Equipment -- Visit <https://DealersElectric.com> or call (908) 688-1966 for all of your electric motor & VFD needs!

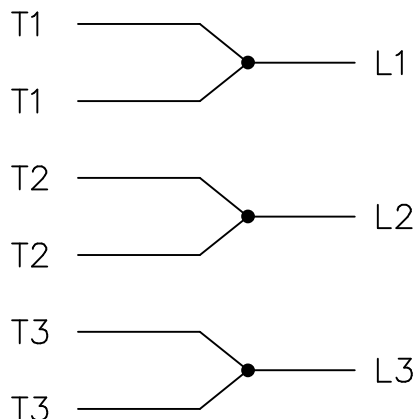
THREE PHASE – SINGLE VOLTAGE
MOTOR – CONDUIT BOX @ 'A'

EE7300-LN

TO REVERSE ROTATION:
INTERCHANGE ANY TWO LINE
LEAD CONNECTIONS



IF MOTOR HAS
6 LEADS




A-9806 DECAL

OPTIONAL CORD
CONNECTION

L1 WHITE
L2 RED
L3 BLACK

VIEW OF TERMINAL END

				TOLERANCES UNLESS SPECIFIED			DRAWN BLR 08-13-1999		
				DEC.	INCHES		CHK	ML 08-13-1999	
				.X	±.1		APPD	GK 08-13-1999	
				.XX	±.02	TITLE CONNECTION DIAGRAM SINGLE VOLT – 3Ø MOTOR	SCALE 1=1		
2	ADDED OPTIONAL CORD CONNECTION PER MU47226	CTO 03-31-2004	PJB	.XXX	±.005		REF		
1	NEW DRAWING	CTO 08-13-1999		.XXXX	±.0005	MAT'L.	FMF		
NO.	REVISION	BY & DATE	CHK	ANG	±7'30"	FINISH	PREV		
THIS DRAWING IN DESIGN AND DETAIL IS OUR PROPERTY AND MUST NOT BE USED EXCEPT IN CONNECTION WITH OUR WORK ALL RIGHTS OF DESIGN AND INVENTION ARE RESERVED THIS IS AN ELECTRONICALLY GENERATED DOCUMENT – DO NOT SCALE THIS PRINT				RFP	CAD FILE EE7300_LN		SIZE	DRAWING NO. PAGE OF	REV.
				DIST	WP	A	EE7300-LN	2	

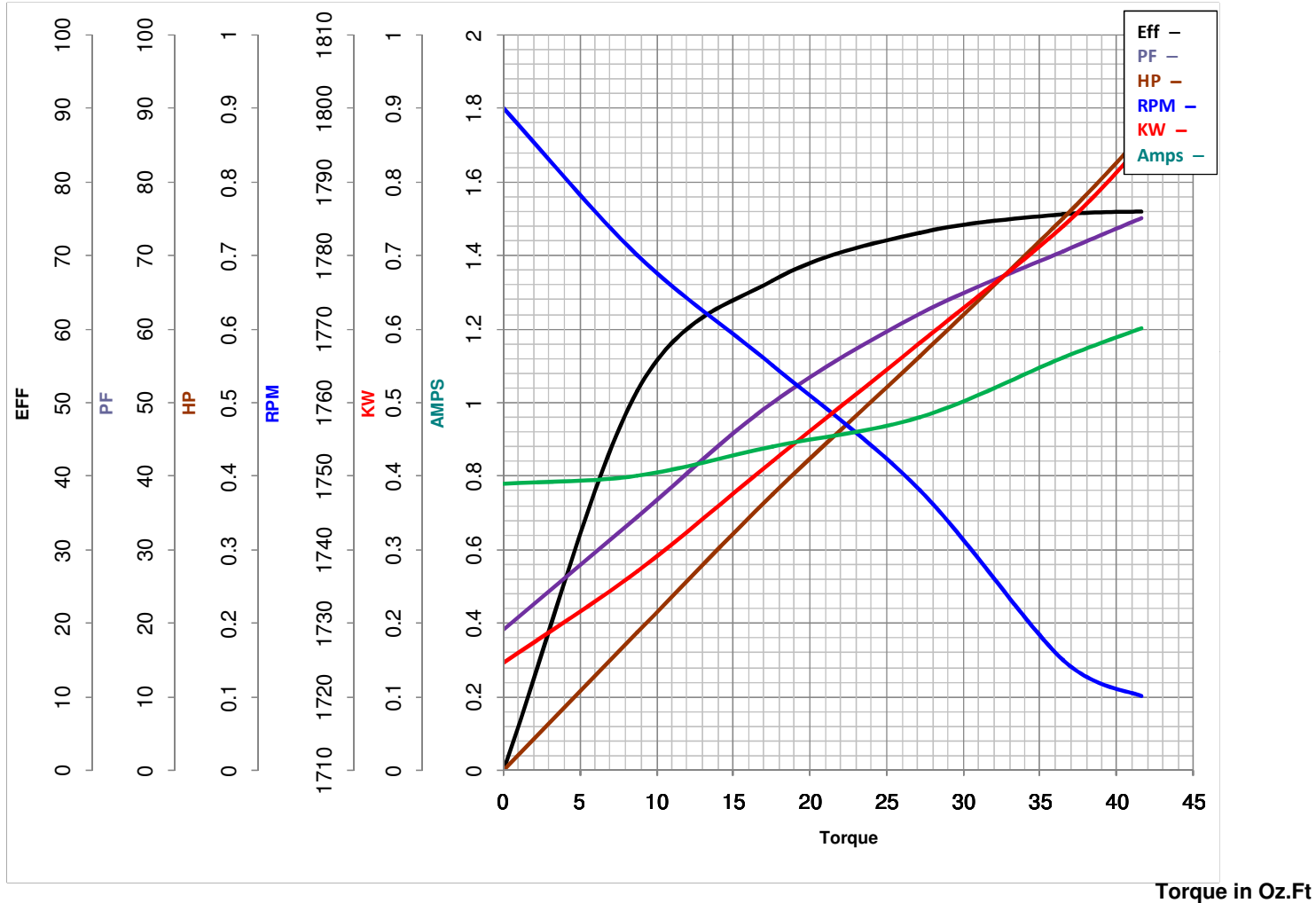


LEESON ELECTRIC CORPORATION
TYPICAL PERFORMANCE CURVE for AC MOTOR

Model No LM24354

Catalog No LM24354A

Curve at 575 Volts HP 0.75 PHASE 3
60 HZ
0.75 HP VOLTS 575
 HZ 60 RPM 1725



FL TORQUE	<u>36.48</u> Oz.Ft	FL AMPS	<u>1.1</u>
BD TORQUE	<u>156.8</u> Oz.Ft	PU TORQUE	<u>147.2</u> Oz.Ft
LR TORQUE	<u>140.8</u> Oz.Ft	LR AMPS	<u>7.2</u>
WINDING	TE48412-5	Date	6/4/2018