

PRODUCT INFORMATION PACKET



Model No: SRN4H0.5T61
Catalog No: LM24258
1/2, 1725, TENV, 56, 3/60/230/460
Automotive Duty



Regal and Leeson are trademarks of Regal Beloit Corporation or one of its affiliated companies.
©2018 Regal Beloit Corporation, All Rights Reserved. MC017097E





Nameplate Specifications

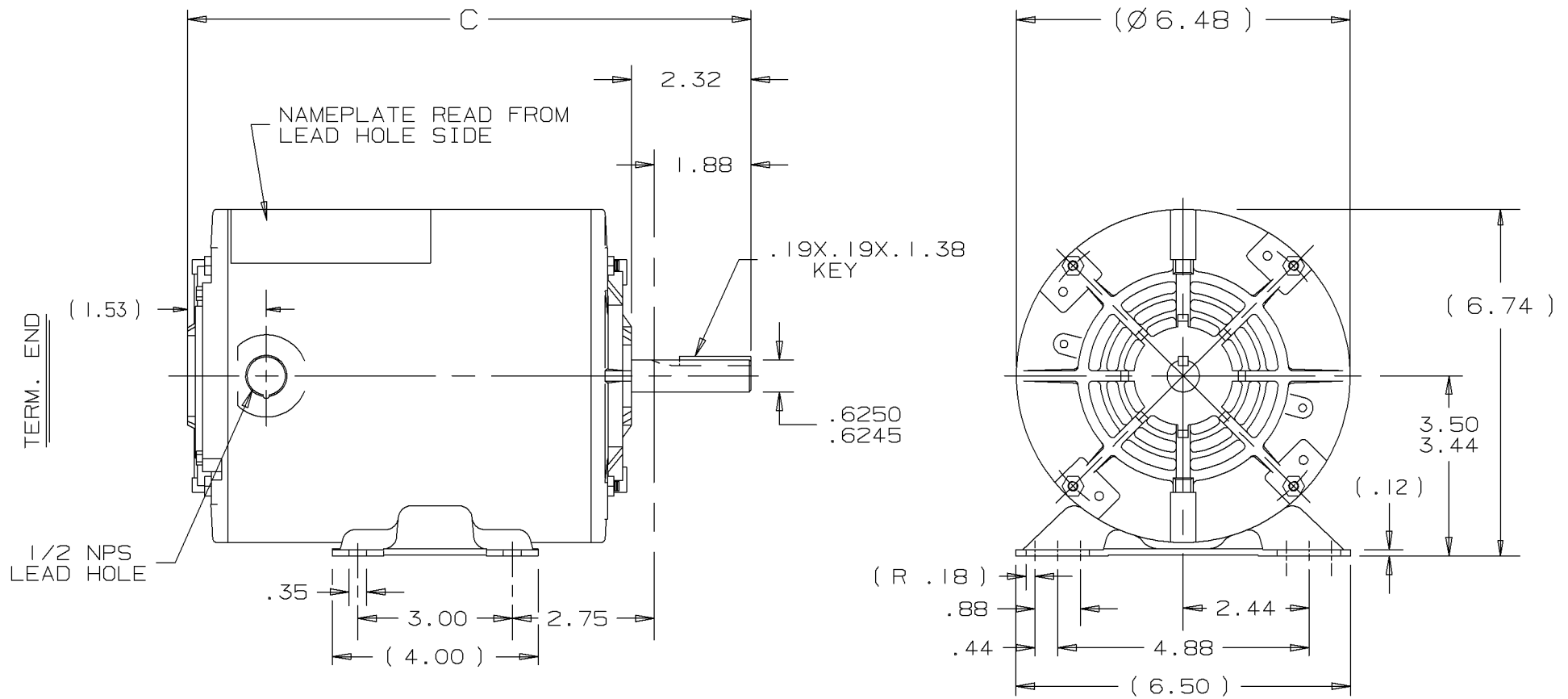
Output HP	0.50 Hp	Output KW	0.37 kW
Frequency	60 Hz	Voltage	230/460 V
Current	2.0/1.0 A	Speed	1725 rpm
Service Factor	1	Phase	3
Efficiency	77 %	Duty	Continuous
Insulation Class	F	Design Code	B
KVA Code	P	Frame	56
Enclosure	Totally Enclosed Non Ventilated	Overload Protector	No
Ambient Temperature	65 °C	Drive End Bearing Size	203
Opp Drive End Bearing Size	203	UL	Recognized
CSA	Y	CE	N
IP Code	43		

Technical Specifications

Electrical Type	Squirrel Cage Induction Run	Starting Method	Across The Line
Poles	4	Rotation	Reversible
Mounting	Rigid base	Motor Orientation	HORIZONTAL
Drive End Bearing	BALL	Opp Drive End Bearing	BALL
Frame Material	Rolled Steel	Shaft Type	NEMA 56
Overall Length	10.44 in	Frame Length	6.56 in
Shaft Diameter	0.625 in	Shaft Extension	1.88 in
Assembly/Box Mounting	F1 ONLY		
Outline Drawing	A-100108LN-656	Connection Diagram	A-EE7308-LN

This is an uncontrolled document once printed or downloaded and is subject to change without notice. Date Created: 10/15/2018

A-100108LN



DASH	FR.	C			DASH	FR.	C		
					756	56-75	11.44		
606	56-60	9.94			806	"-80	11.94		
656	"-65	10.44			856	"-85	12.44		
706	"-70	10.94							

						UNLESS OTHERWISE SPECIFIED DIMENSIONS ARE IN INCHES TOL. ON XX±.02 XXX±.005 XXXX±.0005 ANGLES± 7°30"				
						MAX. SURFACE ROUGHNESS UNLESS OTHERWISE NOTED			DRAWN BY TRB 09-07-1999	
						FINISH			CHKD BY ML 09-07-1999	
						MATERIAL			APPD BY ET 09-08-1999	
REV	DATE	CHANGE		NAME	PART NAME OUTLINE 56 FR - TENV - BB - 3Ø				DRWG NO A-100108LN	
				PURCHASED		CADD FILE NO.		100108LN		

THREE PHASE
DUAL VOLTAGE MOTOR

HIGH VOLTAGE



LOW VOLTAGE



VIEW OF TERMINAL END

REF.
WINDING DIAGRAM

T8Y, T2Y, T2BL, T4BX, T2EC, T2G
T6BZ, T2B, T6BL, T4AV, T6B, T4B

OPTIONAL CORD
CONNECTION

L1 — WHITE
L2 — RED
L3 — BLACK

NO.	REVISION	BY & DATE	CHK	TOLERANCES UNLESS SPECIFIED		FINISH	DRAWN	DATE			
				DEC.	INCHES						
				.X	±.1		BLR	06/11/1999			
							ML	06/18/1999			
							GK	06/18/1999			
3	ADDED THE OPTIONAL CORD CONNECTION MU46318	RDH 04/24/2003	DRS	.XX	±.02	TITLE CONNECTION DIAGRAM		SCALE 1=1			
2	RE-ISSUE, ADDED '-' TO PART NUMBER	BLR 08/09/1999	GK	.XXX	±.005	3Ø - DUAL VOLTAGE MOTOR		REF			
1	NEW DRAWING	BLR 06/18/1999	GK	.XXXX	±.0005	MAT'L.		FMF			
				ANG	±7'30"			PREV			
THIS DRAWING IN DESIGN AND DETAIL IS OUR PROPERTY AND MUST NOT BE USED EXCEPT IN CONNECTION WITH OUR WORK ALL RIGHTS OF DESIGN AND INVENTION ARE RESERVED THIS IS AN ELECTRONICALLY GENERATED DOCUMENT - DO NOT SCALE THIS PRINT				RFP	CAD FILE EE7308LN			SIZE A	DRAWING NO. EE7308-LN	PAGE OF 3	REV. 3
				DIST WP							





CERTIFICATION DATA SHEET

2100 WASHINGTON ST.
 GRAFTON, WI
 PH. 262-277-8810

CONN. DIAGRAM: A-EE7308-LN

OUTLINE: A-100108LN-656

CATALOG # : LM24258

WINDING #: ZT4140 TR 3

MOUNTING: F1 ONLY

TYPICAL MOTOR PERFORMANCE DATA

HP	KW	SYNC. RPM	F.L. RPM	FRAME	ENCLOSURE	KVA CODE	DESIGN	
1/2	0.37	1800	1725	56	TENV	P	B	
PH	HZ	VOLTS	AMPS	START TYPE	DUTY	INSL	S.F.	AMB °C
3	60	230/460	2/1	ACROSS THE LINE	CONTINUOUS	F3	1.0	65

FULL LOAD EFF:	77	3/4 LOAD EFF:	73.5	1/2 LOAD EFF:	67	GTD. EFF		ELEC. TYPE
FULL LOAD PF:	62	3/4 LOAD PF:	54	1/2 LOAD PF:	42.5	74		SQ CAGE IND RUN
F.L. TORQUE	LOCKED ROTOR AMPS	L.R. TORQUE	B.D. TORQUE	F.L. RISE °C				
1.5 LB-FT	16 / 8	5.9 LB-FT	393 %	8 LB-FT	533 %	55		

SOUND PRESSURE @ 3 FT.	SOUND POWER	ROTOR WK^2	MAX. WK^2	SAFE STALL TIME	STARTS / HOUR	APPROX. MOTOR WGT
62 DBA	72 DBA	0.05 LB-FT^2	2 LB-FT^2	20 SEC.	2	28 LBS.

*** SUPPLEMENTAL INFORMATION ***

DE BRACKET TYPE	ODE BRACKET TYPE	MOUNT TYPE	ORIENTATION	SEVERE DUTY	HAZARDOUS LOCATION	DRIP COVER	SCREENS	PAINT
STANDARD HUBLESS	VERIFY	RIGID	HORIZONTAL	FALSE	NONE	FALSE	NONE	GRAY (POWDER)

BEARINGS	GREASE	SHAFT TYPE	SPECIAL DE	SPECIAL ODE	SHAFT MATERIAL	FRAME MATERIAL
DE BALL 203	POLYREX EM	STANDARD 56	NONE	NONE	1144 STRESSPROOF (C-223)	ROLLED STEEL

THERMO-PROTECTORS				THERMISTORS	CONTROL	SPACE HEATERS
THERMOSTATS	PROTECTORS	WDG RTDS	BRG RTDS	NONE	FALSE	NONE
NONE	NOT	NONE	NONE			

INVERTER TORQUE: NONE
 INV. HP SPEED RANGE: NONE

ENCODER: NONE
 NONE
 NONE PPR

BRAKE: NONE
 NONE P/N NONE
 NONE NONE
 NONE FT-LB NONE V NONE HZ

*
 N
 O
 T
 E
 S
 *

Data Sheet

Date: 3/1/2018

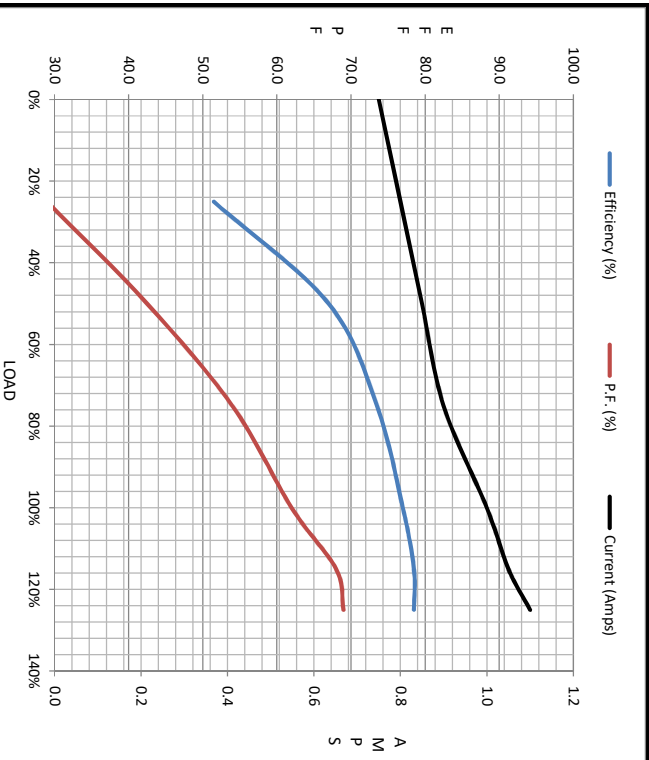
LM24258



Data @ 460 V

Motor Load Data						
Load	0%	25%	50%	75%	100%	LR
Current (Amps)	0.75	0.80	0.85	0.90	1.00	8.0
Torque (ft-lb)	0.00	0.38	0.75	1.10	1.50	5.9
RPM	1800	1790	1780	1770	1760	0
Efficiency (%)		51.5	67.0	73.5	77.0	
P.F. (%)	15.0	29.0	42.5	54.0	62.0	70.0

Motor Speed Data						Information Block																					
LR	Pull-Up	BD	Rated	Idle		HP	Sync. RPM	Frame	Enclosure	Construction	Voltage	Frequency	Design	LR Code letter	Service Factor	Temp Rise @ FL	Duty	Ambient	Elevation	Rotor/Shaft wk ²	Ref Wdg	Sound Pressure @ 1M	VFD Rating	Outline Dwg	Conn. Diag	Additional Specifications:	
0	700	1275	1760	1800		0.5	1800	56	TENV	TTR	230/460	60	B	P	1.15	55	CONT	40 °C	1,000	0.05	Z14140 TR	62	VERIFY	A-100108LN-656	A-EE7308-LN		
Current (Amps)	8.0	7.0	5.5	1.00	0.75																						
Torque (ft-lb)	5.9	5.3	8.0	1.50	0.00																						



R1	R2	X1	X2	Xm
4.4/30	2.5/280	4.7/140	3.5/40	98.7/200
EQUIV CKT (OHMS / PHASE)				
0				
Additional Specifications:				
0				

