

PRODUCT INFORMATION PACKET



Model No: SSD4B2T61
 Catalog No: LM24169
 2.,1800,145T,ODP.230/460.3.60...1.25..SSD4B2T61.....
 Open Drip Proof (ODP)

Lincoln
MOTORS

CSA E
EEV 102077

Signature Series
1-800-MOTOR-4-U
ASSEMBLED IN MEXICO

MOD NO. SSD4B2T61
 CUST PART NO.
 PRODUCT. I17K V LM24169CA
 FR 145T PH. 3 TYPE. TDR
 AMB. 40°C INS. F3 DUTY. CONT
 DESIGN C

HZ. 60/50
 H.P. 2
 R.P.M 1750/1445 IP 22 KW 1.49
 VOLTS 230/460 / 190-208/380-415
 F.L.A. 6/3 // 6.6-6.4/3.3-3.2
 S.F. 1.25/1.0
 S.F.A. 6.8/3.4

RU E-49747 LR2025
 E-9747 CC004A
 CE IEC 34-1 IEC 34-3

LOW VOLTAGE HIGH VOLTAGE
 T4 T5 T6 T4 T5 T6
 T7 T8 T9 T7 T8 T9
 T1 T2 T3 T1 T2 T3
 LINE LINE LINE LINE LINE LINE
 TO REVERSE ROTATION, INTERCHANGE
 ANY TWO LINE LEADS. 1039014

CODE N ENCL. DP
 EFF. 86.5//85.5 PF (COS φ) 74.5(0.745)/80(0.80)
 PERMANENTLY LUBRICATED BALL BRGS.
 DRIVE/OPP
 SUITABLE FOR 208V 60 HZ @ 1.15 S.F.

WARNING: FAILURE TO FOLLOW ALL SAFETY INFORMATION CAN RESULT IN SERIOUS PERSONAL INJURY OR DEATH. DISCONNECT ALL POWER BEFORE SERVICING. INSTALL AND GROUND PER LOCAL AND NATIONAL CODES CONSULT QUALIFIED PERSONNEL WITH ANY QUESTIONS.

Regal and Leeson are trademarks of Regal Beloit Corporation or one of its affiliated companies.
 ©2018 Regal Beloit Corporation, All Rights Reserved. MC017097E





Nameplate Specifications

Output HP	2 Hp	Output KW	1.5 kW
Frequency	60 Hz	Voltage	230/460 V
Current	6.0/3.0 A	Speed	1750 rpm
Service Factor	1.25	Phase	3
Efficiency	86.5 %	Duty	Continuous
Insulation Class	F	Design Code	C
KVA Code	N	Frame	145T
Enclosure	Drip Proof	Overload Protector	No
Ambient Temperature	40 °C	Drive End Bearing Size	6205
Opp Drive End Bearing Size	6203	UL	Recognized
CSA	Y	CE	Y
IP Code	22		

Technical Specifications

Electrical Type	Squirrel Cage Induction Run	Starting Method	Across The Line
Poles	4	Rotation	Reversible
Mounting	Rigid base	Motor Orientation	HORIZONTAL
Drive End Bearing	BALL	Opp Drive End Bearing	BALL
Frame Material	Rolled Steel	Shaft Type	T
Overall Length	13.49 in	Frame Length	9.56 in
Shaft Diameter	0.875 in	Shaft Extension	2.25 in
Assembly/Box Mounting	F1 ONLY		
Outline Drawing	A-100085LN-956	Connection Diagram	A-EE7308-LN

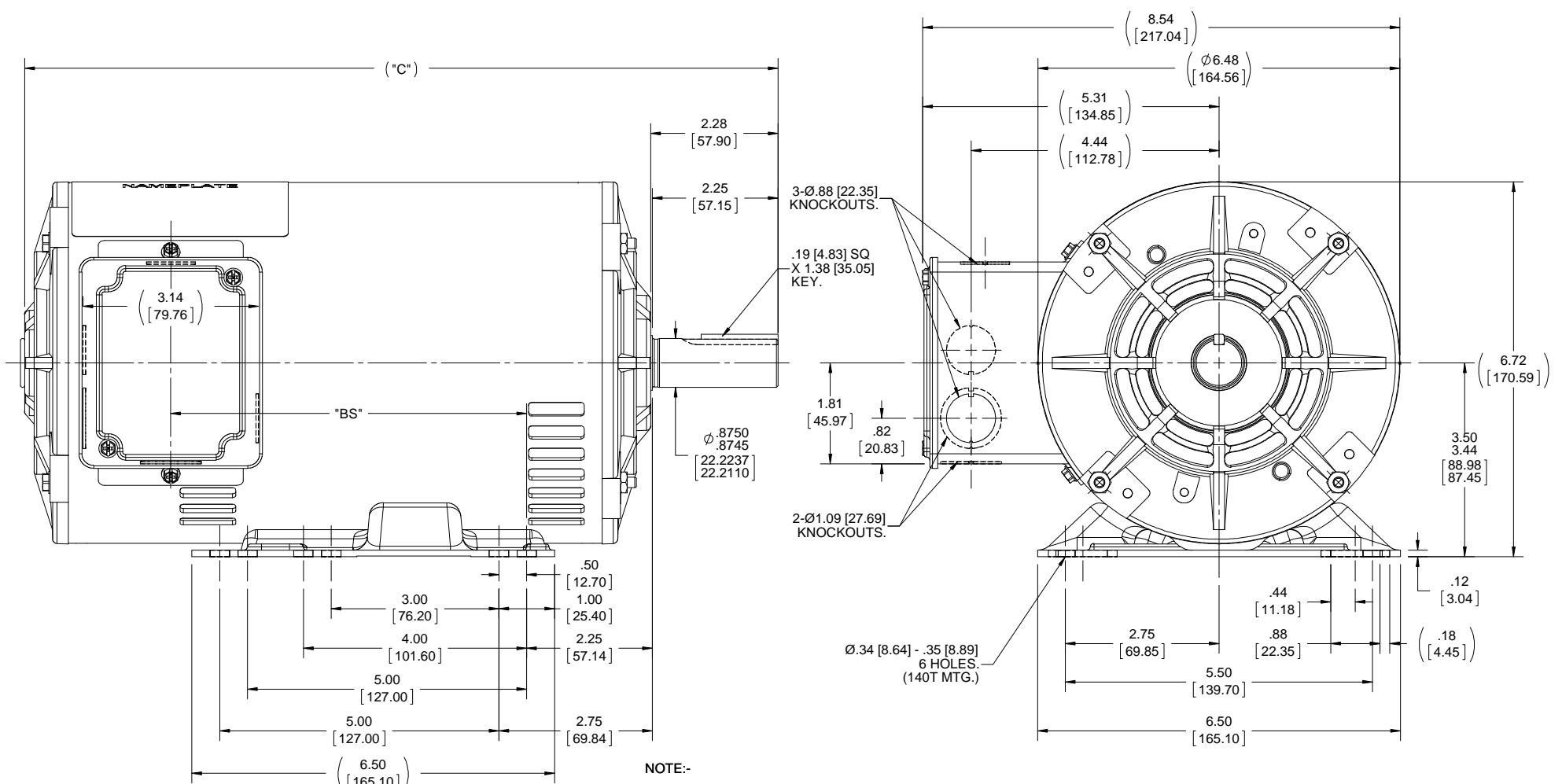
This is an uncontrolled document once printed or downloaded and is subject to change without notice. Date Created: 10/15/2018

B

B

A

A



NOTE:-

- 1) CONDUIT BOX CAN BE ROTATED 180° STEPS.
- 2) NAMEPLATE READ FROM CONDUIT BOX SIDE.

DASH.	"C"	"BS/140T"
706	10.99 [279.15]	3.88 [98.55]
756	11.49 [291.85]	4.38 [111.25]
806	11.99 [304.55]	4.88 [123.95]
856	12.49 [317.25]	5.38 [136.65]
906	12.99 [329.95]	5.88 [149.35]
956	13.49 [342.65]	6.38 [162.05]

DRAWING REVISION C	REVISION BY A SUPPANAVAR	DATE 02/28/2018
ECO ECO-0136109	APPROVED BY PST	DATE 05/18/2018
ECO DESCRIPTION OUTLINE CONVERSION PROJECT		
<small>COPYRIGHT REGAL BELOIT AMERICA, INC. ALL RIGHTS RESERVED. PROPRIETARY AND CONFIDENTIAL INFORMATION - THIS DOCUMENT IS THE PROPERTY OF REGAL BELOIT AMERICA, INC. (OWNER) AND CONTAINS OWNER'S PROPRIETARY INFORMATION. ANY PERSON, CORPORATION OR OTHER FIRM RECEIVING IT IS DEEMED, BY RECEIVING IT, TO AGREE THAT IT, AND/OR ANY PART OF IT, SHALL NOT BE DISCLOSED TO ANY PERSON, CORPORATION OR OTHER ENTITY, DUPLICATED, AND/OR USED, EXCEPT AS EXPRESSLY APPROVED IN WRITING IN ADVANCE BY OWNER. THIS DOCUMENT SHALL BE RETURNED TO OWNER UPON REQUEST. IT MAY BE SUBJECT TO CERTAIN RESTRICTIONS UNDER APPLICABLE EXPORT CONTROL LAWS AND REGULATIONS.</small>		

TOLERANCES UNLESS OTHERWISE SPECIFIED:		
DEC.	INCH	mm
.X	+0.1	[+2.5]
.XX	+0.03	[+0.76]
.XXX	+0.005	[+0.127]
.XXXX	+0.0005	[+0.0127]
REMOVE BURRS & BREAK SHARP EDGES: .003/.015 [0.076/.381] X 45°		
CORNER FILLETS: R.02 [51]		
MACHINED SURFACES: 200 $\sqrt{5.1}$		
mm SHOWN IN [BRACKETS]		

DRAWN BY BLR	DATE 06-07-1999
APPROVED BY	DATE
REFERENCE 100085LN	THIRD ANGLE PROJECTION

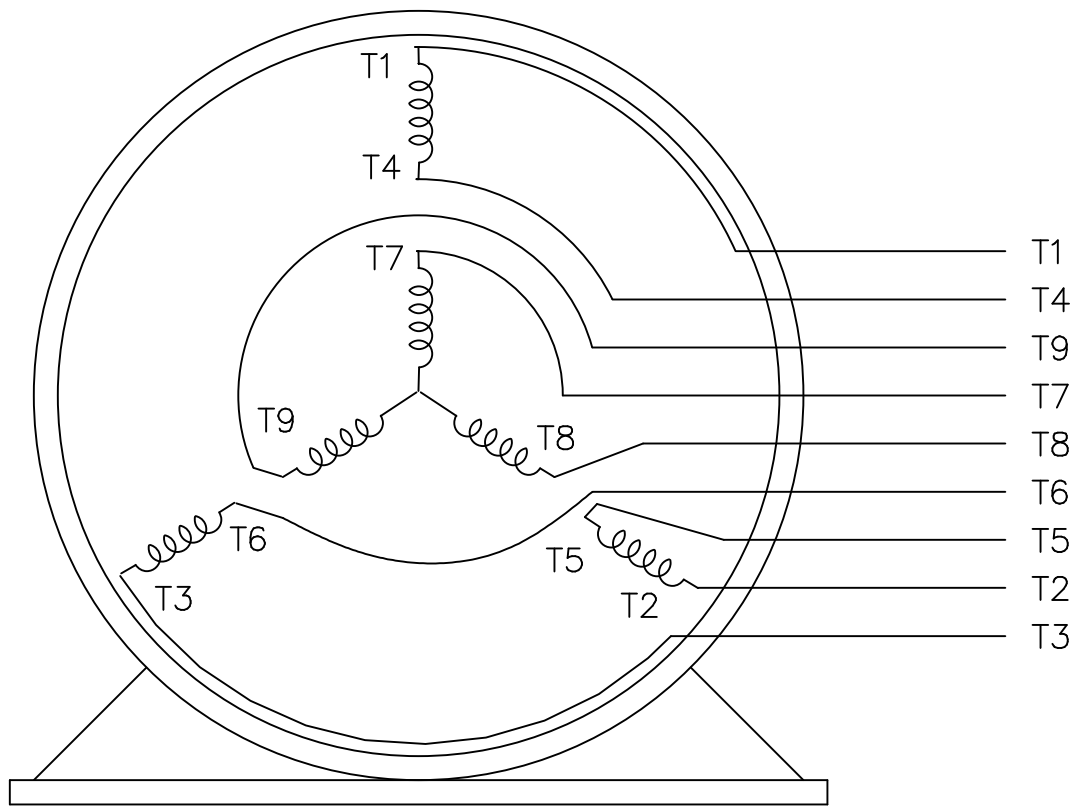
Regal Beloit America, Inc.	
DESCRIPTION OUTLINE 140T & 56HZ - DR.PR.	
MATERIAL	PROCESS/FINISH
SIZE B	DRAWING NUMBER 100085LN
SHEET 1 OF 1	

THREE PHASE
DUAL VOLTAGE MOTOR

HIGH VOLTAGE



LOW VOLTAGE



REF.
WINDING DIAGRAM

T8Y, T2Y, T2BL, T4BX, T2EC, T2G
T6BZ, T2B, T6BL, T4AV, T6B, T4B

OPTIONAL CORD
CONNECTION

L1 — WHITE
L2 — RED
L3 — BLACK

NO.	REVISION	BY & DATE	CHK	TOLERANCES UNLESS SPECIFIED		FINISH	DRAWN	DATE			
				DEC.	INCHES						
				.X	±.1		BLR	06/11/1999			
							ML	06/18/1999			
							GK	06/18/1999			
3	ADDED THE OPTIONAL CORD CONNECTION MU46318	RDH 04/24/2003	DRS	.XX	±.02	TITLE CONNECTION DIAGRAM		SCALE 1=1			
2	RE-ISSUE, ADDED '-' TO PART NUMBER	BLR 08/09/1999	GK	.XXX	±.005	3Ø - DUAL VOLTAGE MOTOR		REF			
1	NEW DRAWING	BLR 06/18/1999	GK	.XXXX	±.0005	MAT'L.		FMF			
				ANG	±7'30"			PREV			
THIS DRAWING IN DESIGN AND DETAIL IS OUR PROPERTY AND MUST NOT BE USED EXCEPT IN CONNECTION WITH OUR WORK ALL RIGHTS OF DESIGN AND INVENTION ARE RESERVED THIS IS AN ELECTRONICALLY GENERATED DOCUMENT - DO NOT SCALE THIS PRINT				RFP	CAD FILE EE7308LN			SIZE A	DRAWING NO. EE7308-LN	PAGE OF 3	REV. 3
				DIST WP							





CERTIFICATION DATA SHEET

2100 WASHINGTON ST.
 GRAFTON, WI
 PH. 262-277-8810

CONN. DIAGRAM: A-EE7308-LN

OUTLINE: A-100085LN-956

CATALOG #: LM24169

WINDING #: ZT4260 1

MOUNTING: F1 ONLY

TYPICAL MOTOR PERFORMANCE DATA

HP	KW	SYNC. RPM	F.L. RPM	FRAME	ENCLOSURE	KVA CODE	DESIGN		
282	1.49&1.49	1800	1750&1445	145T	DP	N	C		
PH	Hz	VOLTS		AMPS	START TYPE	DUTY	INSL	S.F.	AMB°C
3	60/50	230/460&190-208/380-415		6/3&6.6-6.4/3.3-3.2	ACROSS THE LINE	CONTINUOUS	F3	1.25/1.0	40

FULL LOAD EFF:		86.5&85.5	3/4 LOAD EFF:	85.8	1/2 LOAD EFF:	82.8	GTD. EFF	ELEC. TYPE
FULL LOAD PF:		74.5&880	3/4 LOAD PF:	65.3	1/2 LOAD PF:	53.8	84	SQ CAGE IND RUN
F.L. TORQUE	LOCKED ROTOR AMPS	L.R. TORQUE		B.D. TORQUE		F.L. RISE°C		
6 LB-FT	56.8 / 28.4	24.1 LB-FT	402 %	30.7 LB-FT	512 %	38		

SOUND PRESSURE @ 3 FT.	SOUND POWER	ROTOR WK^2	MAX. WK^2	SAFE STALL TIME	STARTS / HOUR	APPROX. MOTOR WGT
56 DBA	66 DBA	0.09 LB-FT^2	12 LB-FT^2	15 SEC.	2	45.4 LBS.

*** SUPPLEMENTAL INFORMATION ***

DE BRACKET TYPE	ODE BRACKET TYPE	MOUNT TYPE	ORIENTATION	SEVERE DUTY	HAZARDOUS LOCATION	DRIP COVER	SCREENS	PAINT
STANDARD	STANDARD	RIGID	HORIZONTAL	FALSE	NONE	FALSE	NONE	GRAY (POWDER)

BEARINGS		GREASE	SHAFT TYPE	SPECIAL DE	SPECIAL ODE	SHAFT MATERIAL	FRAME MATERIAL
DE	ODE	POLYREX EM	T	NONE	NONE	1144 STRESSPROOF (C-223)	ROLLED STEEL
BALL	BALL						
6205	6203						

THERMO-PROTECTORS				THERMISTORS	CONTROL	SPACE HEATERS
THERMOSTATS	PROTECTORS	WDG RTDS	BRG RTDS	NONE	FALSE	NONE
NONE	NOT	NONE	NONE			

INVERTER TORQUE: NONE
 INV. HP SPEED RANGE: NONE

ENCODER: NONE
 NONE
 NONE
 NONE PPR

BRAKE: NONE
 NONE
 NONE P/N NONE
 NONE
 FT-LB NONE V NONE HZ

*
 N
 O
 T
 E
 S
 *

Date: 1/18/2018

LM24169



Data @ 460 V

Motor Load Data

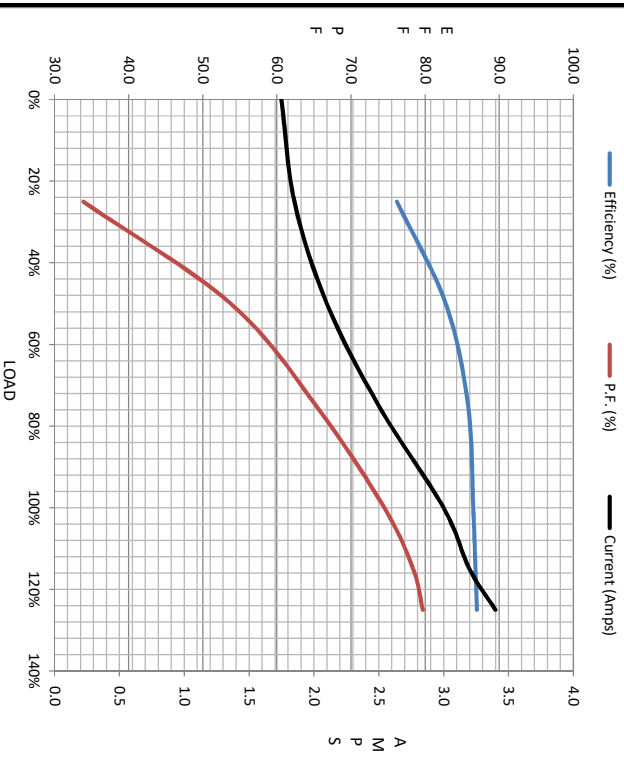
Load	0%	25%	50%	75%	100%	115%	125%		LR
Current (Amps)	1.75	1.85	2.10	2.50	3.0	3.2	3.4		28.4
Torque (ft-lb)	0.00	1.50	2.95	4.5	6.0	7.0	7.6		24.1
RPm	1800	1789	1778	1765	1750	1745	1740		0
Efficiency (%)		76.2	82.8	85.8	86.5	87.0	87.0		
P.F. (%)		33.9	53.8	65.3	74.5	78.4	79.7		71.5

Motor Speed Data

	LR	Pull-Up	BD	Rated	Idle
Speed (RPM)	0	125	1220	1750	1800
Current (Amps)	28.4	25.5	17.6	3.0	1.75
Torque (ft-lb)	24.1	22.0	30.7	6.0	0.00

Information Block

HP	2.0			
Sync. RPM	1800			
Frame	56			
Enclosure	DP			
Construction	TDR			
Voltage	230/460#190-208/380-415 V			
Frequency	60 Hz			
Design	A			
LR Code letter	N			
Service Factor	1.15			
Temp Rise @ FL	38 °C			
Duty	CONT			
Ambient	40 °C			
Elevation	1,000 feet			
Rotor/Shaft wkt	0.09 LB-Ft ²			
Ref Wtdg	ZT14260 NONE			
Sound Pressure @ 1M	56 dBA			
VFD Rating	NONE			
Outline Dwg	A-100085LN-956			
Conn. Diag	A-EE7308-LN			
Additional Specifications:				
	0			
R1	R2	X1	X2	Xm
4,1180	3,2660	6,2480	5,6800	163,3000



Speed - Torque Curve

