

# PRODUCT INFORMATION PACKET



Model No: SRF4S0.5T65  
Catalog No: LM24154  
1/2,1725,TEFC,S56,3/60/575  
575 Volts



Regal and Leeson are trademarks of Regal Beloit Corporation or one of its affiliated companies.  
©2018 Regal Beloit Corporation, All Rights Reserved. MC017097E





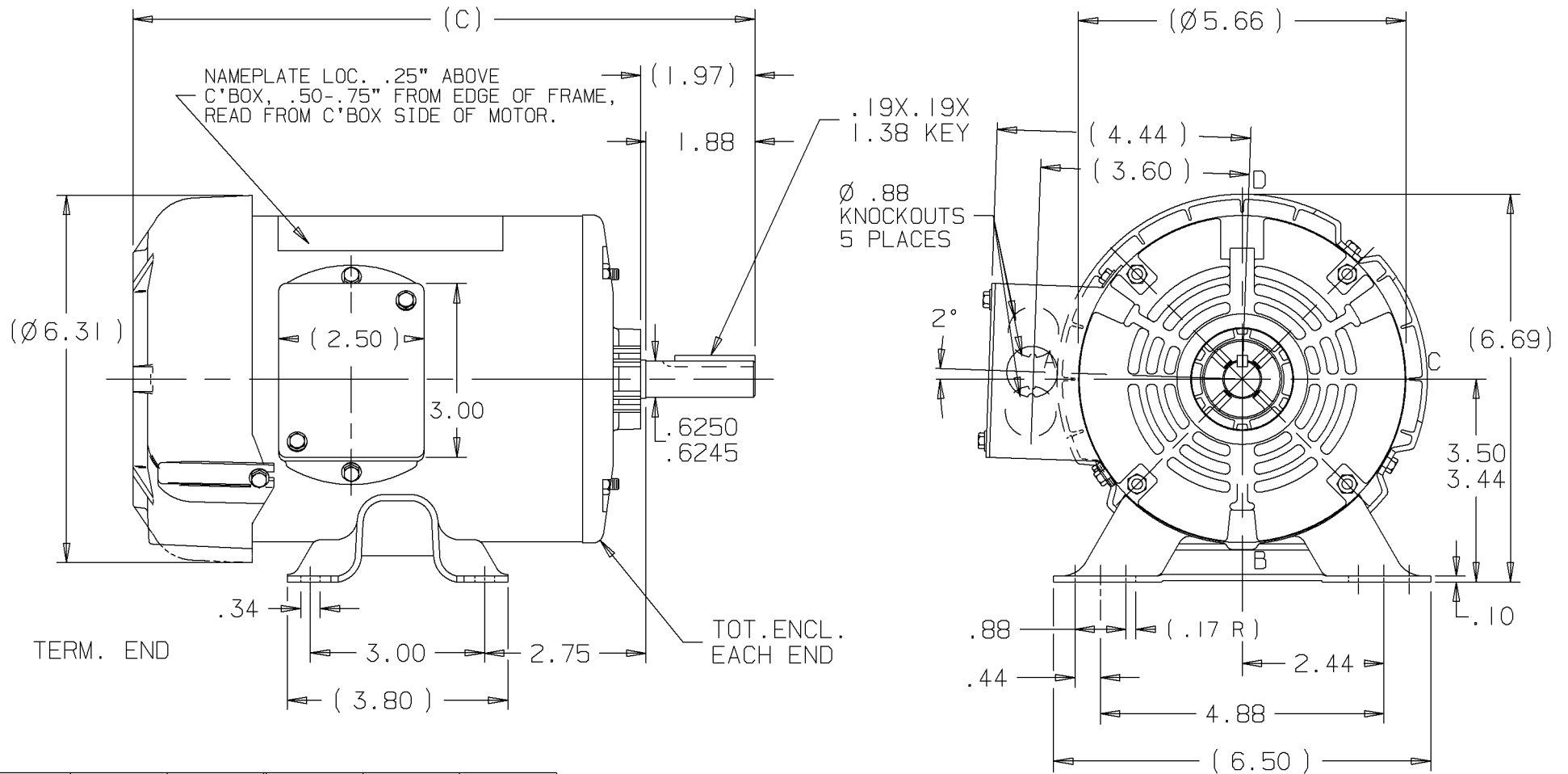
### Nameplate Specifications

Output HP	<b>0.50 Hp</b>	Output KW	<b>0.37 kW</b>
Frequency	<b>60 Hz</b>	Voltage	<b>575 V</b>
Current	<b>0.90 A</b>	Speed	<b>1725 rpm</b>
Service Factor	<b>1.25</b>	Phase	<b>3</b>
Efficiency	<b>70 %</b>	Duty	<b>Continuous</b>
Insulation Class	<b>B</b>	Design Code	<b>B</b>
KVA Code	<b>M</b>	Frame	<b>56</b>
Enclosure	<b>Totally Enclosed Fan Cooled</b>	Overload Protector	<b>No</b>
Ambient Temperature	<b>40 °C</b>	Drive End Bearing Size	<b>203</b>
Opp Drive End Bearing Size	<b>203</b>	UL	<b>Recognized</b>
CSA	<b>Y</b>	CE	<b>N</b>
IP Code	<b>43</b>		

### Technical Specifications

Electrical Type	<b>Squirrel Cage Induction Run</b>	Starting Method	<b>Across The Line</b>
Poles	<b>4</b>	Rotation	<b>Reversible</b>
Mounting	<b>Rigid base</b>	Motor Orientation	<b>HORIZONTAL</b>
Drive End Bearing	<b>BALL</b>	Opp Drive End Bearing	<b>BALL</b>
Frame Material	<b>Rolled Steel</b>	Shaft Type	<b>NEMA 56</b>
Overall Length	<b>10.72 in</b>	Frame Length	<b>5.75 in</b>
Shaft Diameter	<b>0.625 in</b>	Shaft Extension	<b>1.88 in</b>
Assembly/Box Mounting	<b>F1 ONLY</b>		
Outline Drawing	<b>A-SS75174LN-575</b>	Connection Diagram	<b>A-EE7300-LN</b>

This is an uncontrolled document once printed or downloaded and is subject to change without notice. Date Created: 10/15/2018



DASH	C	DASH	C
500	9.97	625	11.22
525	10.22	650	11.47
575	10.72		

					✓ UNLESS OTHERWISE SPECIFIED DIMENSIONS ARE IN INCHES TOL. ON XX±.03 XXX±.005 XXXX±.0005 ANGLES± 7°30"			
					MAX. SURFACE ROUGHNESS UNLESS OTHERWISE NOTED	DRAWN BY BLR 06-10-1999		
				FINISH	CHKD BY			
				MATERIAL	APPD BY			
I		NEW DRAWING	BLR	PART NAME OUTLINE				DRWG NO A- SS75174LN
REV	DATE	CHANGE	NAME					

PURCHASED

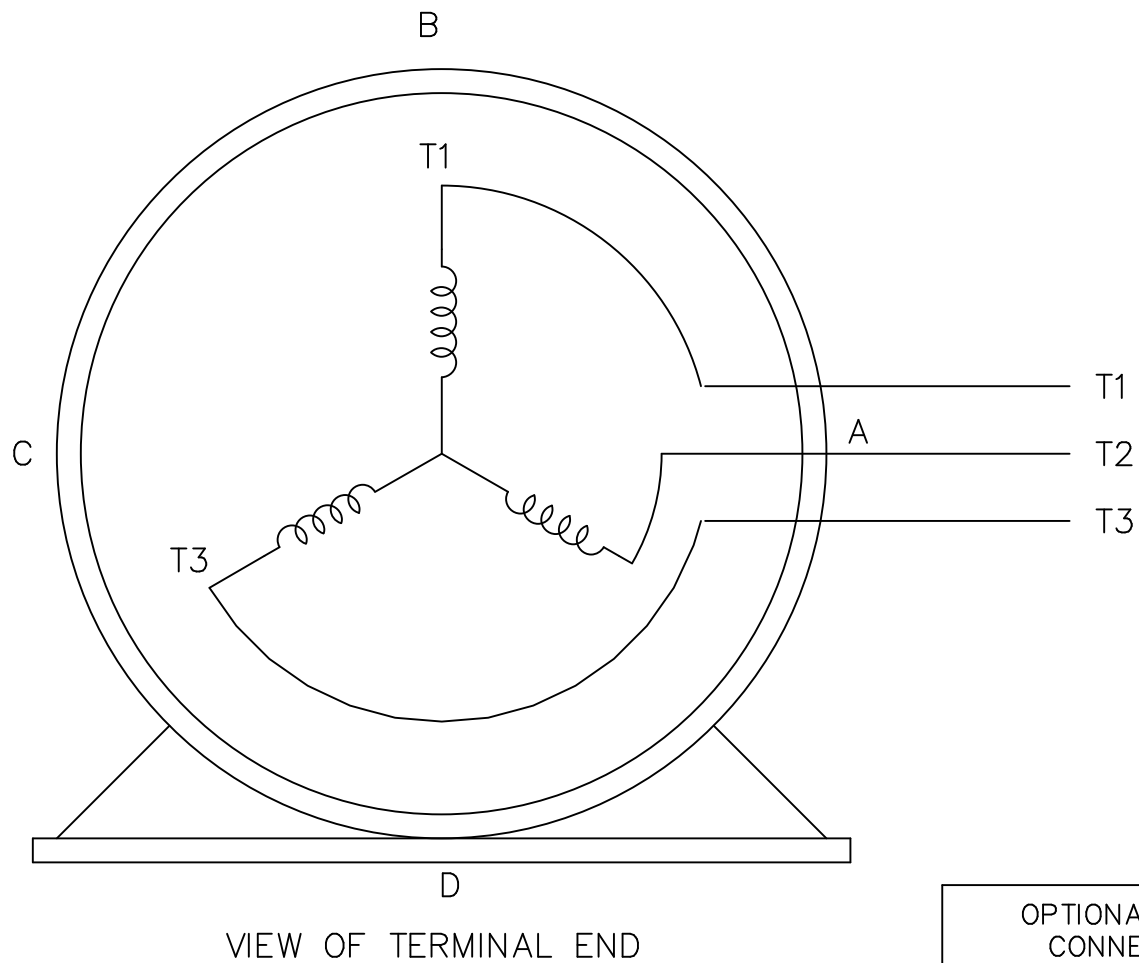
CADD FILE NO.

SS75174LN

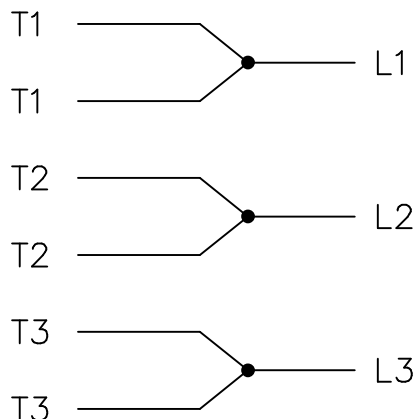
THREE PHASE – SINGLE VOLTAGE  
MOTOR – CONDUIT BOX @ 'A'

EE7300-LN

TO REVERSE ROTATION:  
INTERCHANGE ANY TWO LINE  
LEAD CONNECTIONS



IF MOTOR HAS  
6 LEADS




A-9806 DECAL

OPTIONAL CORD  
CONNECTION

L1 WHITE  
L2 RED  
L3 BLACK

VIEW OF TERMINAL END

				TOLERANCES UNLESS SPECIFIED			DRAWN BLR 08-13-1999				
				DEC.	INCHES		CHK	ML 08-13-1999			
				.X	±.1		APPD	GK 08-13-1999			
				.XX	±.02	TITLE CONNECTION DIAGRAM SINGLE VOLT – 3Ø MOTOR	SCALE 1=1				
2	ADDED OPTIONAL CORD CONNECTION PER MU47226	CTO 03-31-2004	PJB	.XXX	±.005		REF				
1	NEW DRAWING	CTO 08-13-1999		.XXXX	±.0005	MAT'L.	FMF				
NO.	REVISION	BY & DATE	CHK	ANG	±7'30"	FINISH	PREV				
THIS DRAWING IN DESIGN AND DETAIL IS OUR PROPERTY AND MUST NOT BE USED EXCEPT IN CONNECTION WITH OUR WORK ALL RIGHTS OF DESIGN AND INVENTION ARE RESERVED THIS IS AN ELECTRONICALLY GENERATED DOCUMENT – DO NOT SCALE THIS PRINT				RFP	CAD FILE EE7300_LN		SIZE	DRAWING NO.	PAGE	OF	REV.
				DIST	WP	A	EE7300-LN				2

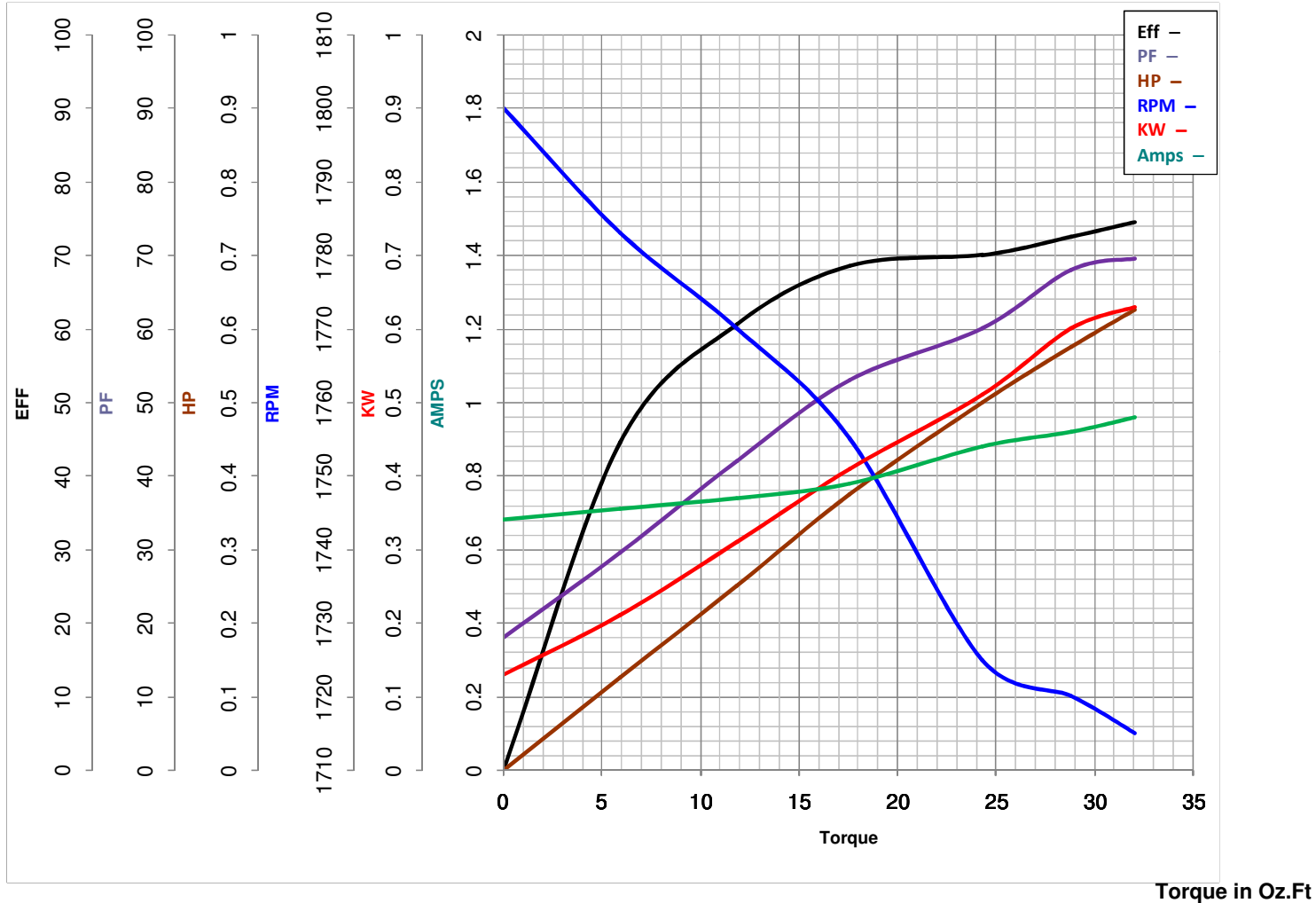


**LEESON ELECTRIC CORPORATION**  
TYPICAL PERFORMANCE CURVE for AC MOTOR

Model No LM24154

Catalog No LM24154B

Curve at 575 Volts      HP 0.50      PHASE 3  
60 HZ  
0.5 HP      VOLTS 575  
HZ 60      RPM 1725



<b>FL TORQUE</b>	<u>24.32</u> Oz.Ft	<b>FL AMPS</b>	<u>0.9</u>
<b>BD TORQUE</b>	<u>116.8</u> Oz.Ft	<b>PU TORQUE</b>	<u>105.6</u> Oz.Ft
<b>LR TORQUE</b>	<u>99.2</u> Oz.Ft	<b>LR AMPS</b>	<u>5.12</u>
<b>WINDING</b>	TE48415-5	<b>Date</b>	6/4/2018