

PRODUCT INFORMATION PACKET



Model No: SRF2S0.75TCN61
Catalog No: LM24151
3/4,3450,TEFC,56C,3/60/208-230/460
Totally Enclosed Fan Cooled (TEFC)



Regal and Leeson are trademarks of Regal Beloit Corporation or one of its affiliated companies.
©2018 Regal Beloit Corporation, All Rights Reserved. MC017097E





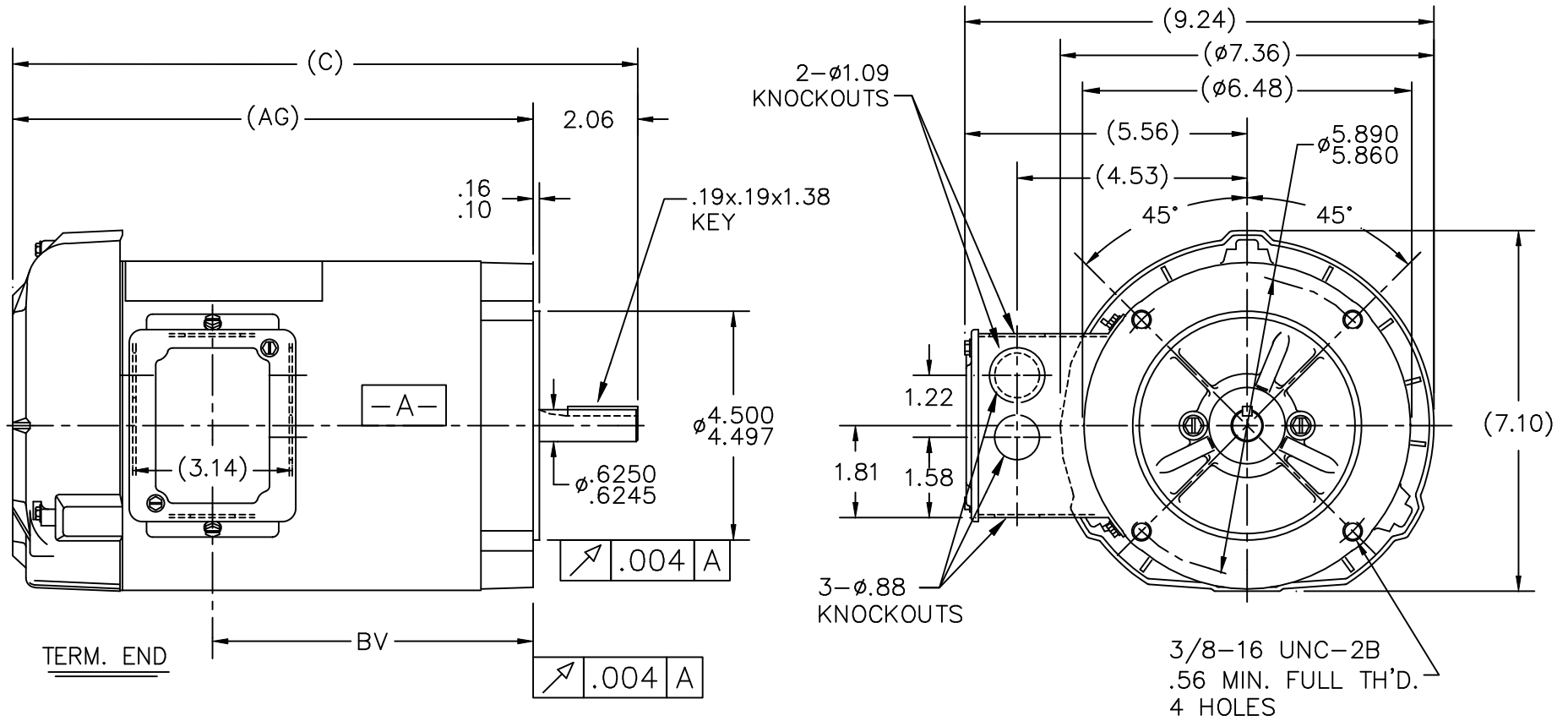
Nameplate Specifications

| | | | |
|----------------------------|------------------------------------|------------------------|-------------------|
| Output HP | 0.75 Hp | Output KW | 0.56 kW |
| Frequency | 60 Hz | Voltage | 230/460 V |
| Current | 3.2/1.6 A | Speed | 3450 rpm |
| Service Factor | 1.15 | Phase | 3 |
| Efficiency | 74 % | Duty | Continuous |
| Insulation Class | F | Design Code | B |
| KVA Code | N | Frame | 56C |
| Enclosure | Totally Enclosed Fan Cooled | Overload Protector | No |
| Ambient Temperature | 40 °C | Drive End Bearing Size | 203 |
| Opp Drive End Bearing Size | 203 | UL | Recognized |
| CSA | Y | CE | N |
| IP Code | 43 | | |

Technical Specifications

| | | | |
|-----------------------|------------------------------------|-----------------------|------------------------|
| Electrical Type | Squirrel Cage Induction Run | Starting Method | Across The Line |
| Poles | 2 | Rotation | Reversible |
| Mounting | Round | Motor Orientation | HORIZONTAL |
| Drive End Bearing | BALL | Opp Drive End Bearing | BALL |
| Frame Material | Rolled Steel | Shaft Type | NEMA 56 |
| Overall Length | 11.82 in | Frame Length | 6.56 in |
| Shaft Diameter | 0.625 in | Shaft Extension | 1.88 in |
| Assembly/Box Mounting | F1 ONLY | | |
| Outline Drawing | A-100103LN-656 | Connection Diagram | A-EE7308-LN |

This is an uncontrolled document once printed or downloaded and is subject to change without notice. Date Created: 10/15/2018



- NOTE:
 1. NAMEPLATE READ FROM CONDUIT BOX SIDE.
 2. METAL NP READ FROM TERM END.

| DASH | FR. | C | AG | BV | DASH | FR. | C | AG | BV |
|------|-------|-------|-------|------|------|-------|-------|-------|------|
| 606 | 56-60 | 11.32 | 9.25 | 5.31 | 806 | 56-80 | 13.32 | 11.25 | 7.31 |
| 656 | "-65 | 11.82 | 9.75 | 5.81 | 856 | "-85 | 13.82 | 11.75 | 7.81 |
| 706 | "-70 | 12.32 | 10.25 | 6.31 | 906 | "-90 | 14.32 | 12.25 | 8.31 |
| 756 | "-75 | 12.82 | 10.75 | 6.81 | 956 | "-95 | 14.82 | 12.75 | 8.81 |

| | | TOLERANCES UNLESS SPECIFIED | | | | Lincoln MOTORS | | DRAWN RWR 03/11/2004 | |
|--|-------------------------|-----------------------------|--------|------|-------------------|----------------|--------|-----------------------|-------------------------|
| | | DEC. | INCHES | | | | | CHK | ML 03/12/2004 |
| | | .X | ±.1 | | | | | APPD | GK 03/12/2004 |
| 3 | ADDED NOTE & 2 | CN29200-3978 | | RJW | 01-13-2005 | .XX | ±.03 | TITLE OUTLINE | |
| 2 | DELETED NOTES 2 & 3 | | | RJW | 10-18-2004 | .XXX | ±.005 | 56 FR. -TEFC -'C'FACE | |
| 1 | REVISED NAMEPLATE NOTE. | MU50676 | | NJS | 05-11-2004 | ML .XXXX | ±.0005 | MAT'L. | |
| NO. | REVISION | BY & DATE | | CHK | ANG | ±1/2" | | FINISH | |
| THIS DRAWING IN DESIGN AND DETAIL IS OUR PROPERTY AND MUST NOT BE USED EXCEPT IN CONNECTION WITH OUR WORK ALL RIGHTS OF DESIGN AND INVENTION ARE RESERVED THIS IS AN ELECTRONICALLY GENERATED DOCUMENT - DO NOT SCALE THIS PRINT | | | | RFP | CAD FILE 100103ln | | | SIZE | DRAWING NO. PAGE 1 OF 1 |
| | | | | DIST | WP | A | | 100103LN | REV. 3 |

THREE PHASE
DUAL VOLTAGE MOTOR

HIGH VOLTAGE



LOW VOLTAGE



VIEW OF TERMINAL END

REF.
WINDING DIAGRAM

T8Y, T2Y, T2BL, T4BX, T2EC, T2G
T6BZ, T2B, T6BL, T4AV, T6B, T4B

OPTIONAL CORD
CONNECTION

L1 — WHITE
L2 — RED
L3 — BLACK

| NO. | REVISION | BY & DATE | CHK | TOLERANCES UNLESS SPECIFIED | | FINISH | DRAWN | DATE | | | |
|--|--|----------------|-----|-----------------------------|-------------------|--------------------------|-------|------------|-----------------------|-----------|--------|
| | | | | DEC. | INCHES | | | | | | |
| | | | | .X | ±.1 | | BLR | 06/11/1999 | | | |
| | | | | | | | ML | 06/18/1999 | | | |
| | | | | | | | GK | 06/18/1999 | | | |
| 3 | ADDED THE OPTIONAL CORD CONNECTION MU46318 | RDH 04/24/2003 | DRS | .XX | ±.02 | TITLE CONNECTION DIAGRAM | | SCALE 1=1 | | | |
| 2 | RE-ISSUE, ADDED '-' TO PART NUMBER | BLR 08/09/1999 | GK | .XXX | ±.005 | 3∅ - DUAL VOLTAGE MOTOR | | REF | | | |
| 1 | NEW DRAWING | BLR 06/18/1999 | GK | .XXXX | ±.0005 | MAT'L. | | FMF | | | |
| | | | | ANG | ±7'30" | | | PREV | | | |
| THIS DRAWING IN DESIGN AND DETAIL IS OUR PROPERTY AND MUST NOT BE USED EXCEPT IN CONNECTION WITH OUR WORK ALL RIGHTS OF DESIGN AND INVENTION ARE RESERVED THIS IS AN ELECTRONICALLY GENERATED DOCUMENT - DO NOT SCALE THIS PRINT | | | | RFP | CAD FILE EE7308LN | | | SIZE A | DRAWING NO. EE7308-LN | PAGE OF 3 | REV. 3 |
| | | | | DIST WP | | | | | | | |





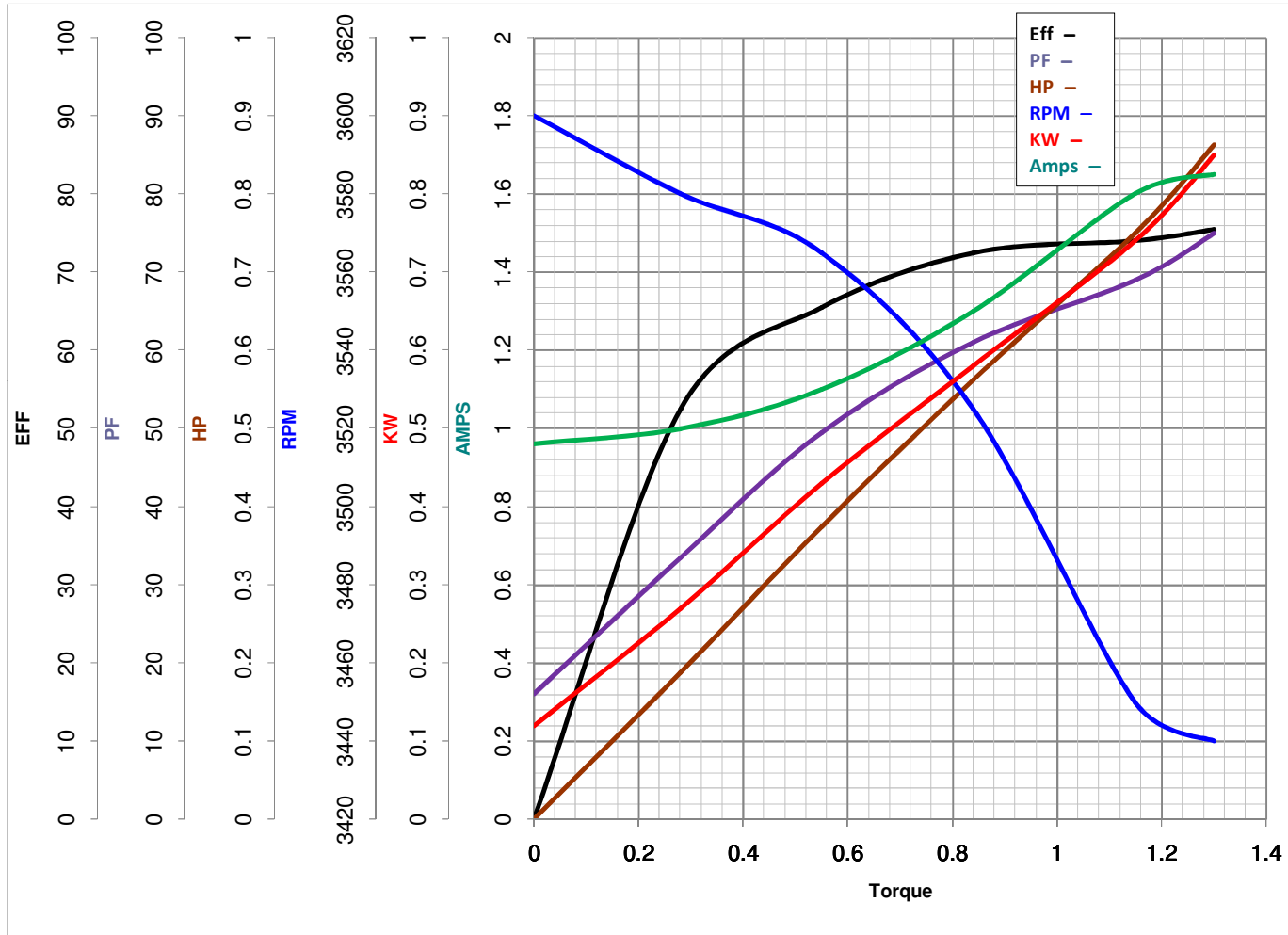
LEESON ELECTRIC CORPORATION
 TYPICAL PERFORMANCE CURVE for AC MOTOR

Model No LM24151

Catalog No LM24151A

Curve at 460 Volts HP 0.75&0.75 PHASE 3
60 HZ
0.75 HP VOLTS 230/460&190-208/380-415

HZ 60&50 RPM 3450&2850



Torque in Oz.Ft

FL TORQUE 1.15 Oz.Ft
 BD TORQUE 5.4 Oz.Ft
 LR TORQUE 3.8 Oz.Ft

FL AMPS 3.2/1.6
 PU TORQUE 3.8 Oz.Ft
 LR AMPS 11.4

WINDING ZT205-3

Date 5/29/2018