

PRODUCT INFORMATION PACKET



Model No: SRF4S0.75TC61
Catalog No: LM24076
3/4, 1725, TEFC, S56C, 3/60/208-230/460
Totally Enclosed Fan Cooled (TEFC)



Regal and Leeson are trademarks of Regal Beloit Corporation or one of its affiliated companies.
©2018 Regal Beloit Corporation, All Rights Reserved. MC017097E





Nameplate Specifications

Output HP	0.75 Hp	Output KW	0.56 kW
Frequency	60 Hz	Voltage	230/460 V
Current	2.8/1.4 A	Speed	1725 rpm
Service Factor	1.15	Phase	3
Efficiency	75.5 %	Duty	Continuous
Insulation Class	B	Design Code	B
KVA Code	L	Frame	S56C
Enclosure	Totally Enclosed Fan Cooled	Overload Protector	No
Ambient Temperature	40 °C	Drive End Bearing Size	203
Opp Drive End Bearing Size	203	UL	Recognized
CSA	Y	CE	Y
IP Code	43		

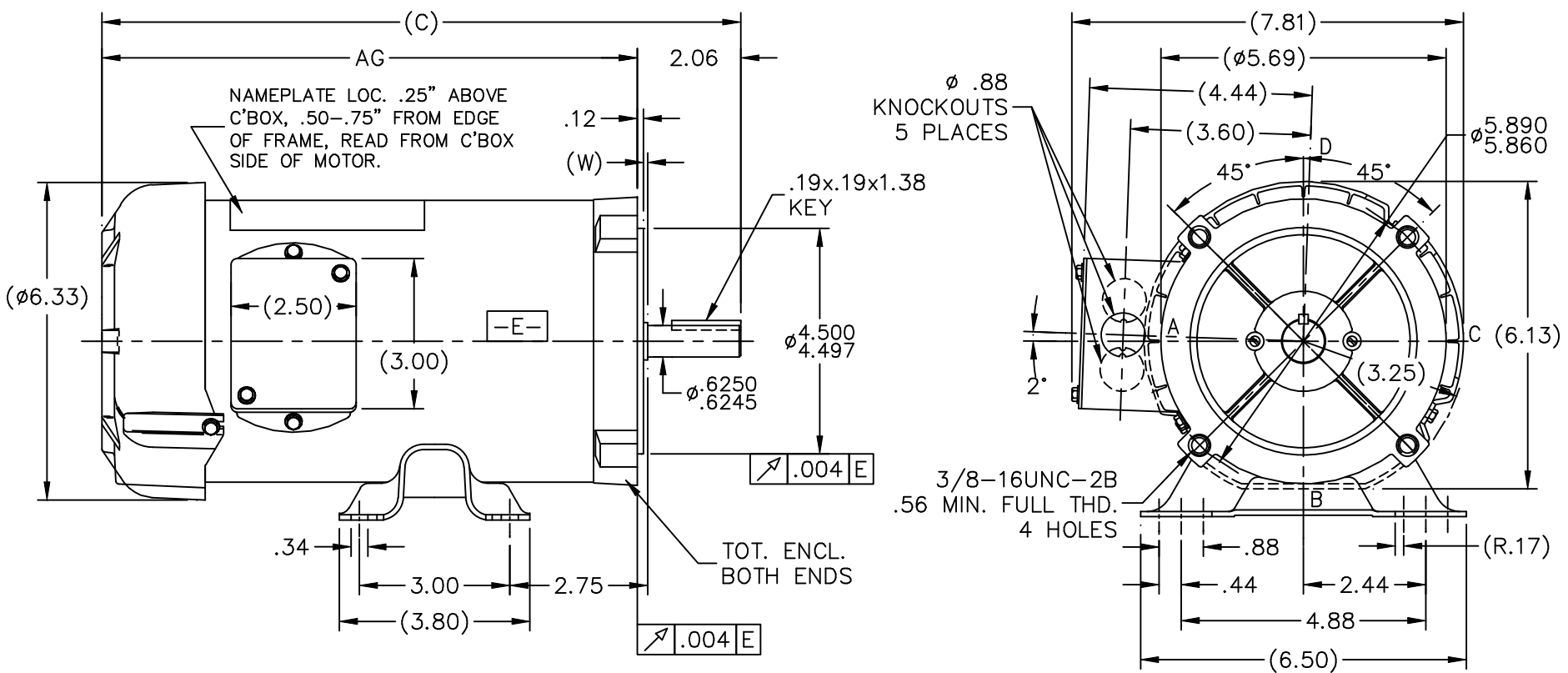
Technical Specifications

Electrical Type	Squirrel Cage Induction Run	Starting Method	Across The Line
Poles	4	Rotation	Reversible
Mounting	Rigid base	Motor Orientation	HORIZONTAL
Drive End Bearing	BALL	Opp Drive End Bearing	BALL
Frame Material	Rolled Steel	Shaft Type	NEMA 56
Overall Length	11.19 in	Frame Length	6.25 in
Shaft Diameter	0.625 in	Shaft Extension	1.88 in
Assembly/Box Mounting	F1 ONLY		
Outline Drawing	A-SS75180LN-625	Connection Diagram	A-EE7308-LN

This is an uncontrolled document once printed or downloaded and is subject to change without notice. Date Created: 10/15/2018

'W' = CLEARANCE ALLOWED FOR ALL VARIANCES
IN MANUFACTURING & ASSEMBLY

SS75180LN



DASH	C	AG	DASH	C	AG
500	9.94	7.88	625	11.19	9.13
525	10.19	8.13	550	10.44	8.38
575	10.69	8.63			

			TOLERANCES UNLESS SPECIFIED		Lincoln MOTORS	DRAWN BLR 06-11-1999			
			DEC.	INCHES		CHK ML 06-17-1999			
			.X	±.1		APPD GK 06-17-1999			
			.XX	±.03		SCALE 5=16			
			.XXX	±.005	TITLE	OUTLINE			
1	NEW DRAWING	BLR 06-17-1999	.XXXX	±.0005	MAT'L.	REF			
NO.	REVISION	BY & DATE	CHK	ANG	FINISH	PREV			
			RFP	06-17-1999	CAD FILE ss75180ln	SIZE	DRAWING NO.	PAGE OF	REV.
			DIST	WP		A	SS75180LN		1

THIS DRAWING IN DESIGN AND DETAIL IS OUR PROPERTY AND MUST NOT BE USED EXCEPT IN CONNECTION WITH OUR WORK ALL RIGHTS OF DESIGN AND INVENTION ARE RESERVED THIS IS AN ELECTRONICALLY GENERATED DOCUMENT - DO NOT SCALE THIS PRINT

7/26/2007 2:30:56 PM -

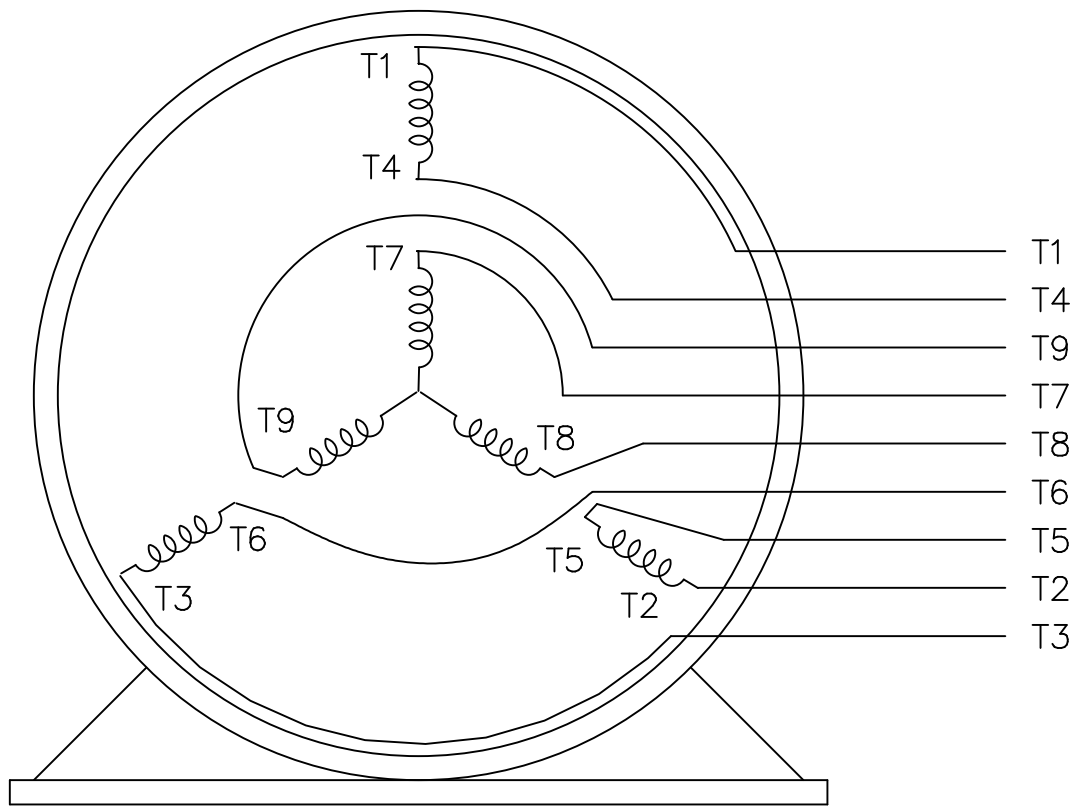
Dealers Industrial Equipment -- Visit <https://DealersElectric.com> or call (908) 688-1966 for all of your electric motor & VFD needs!

THREE PHASE
DUAL VOLTAGE MOTOR

HIGH VOLTAGE



LOW VOLTAGE



VIEW OF TERMINAL END

REF.
WINDING DIAGRAM

T8Y, T2Y, T2BL, T4BX, T2EC, T2G
T6BZ, T2B, T6BL, T4AV, T6B, T4B

OPTIONAL CORD
CONNECTION

L1 — WHITE
L2 — RED
L3 — BLACK

NO.	REVISION	BY & DATE	CHK	TOLERANCES UNLESS SPECIFIED		FINISH	DRAWN	DATE			
				DEC.	INCHES						
				.X	±.1		BLR	06/11/1999			
							ML	06/18/1999			
							GK	06/18/1999			
3	ADDED THE OPTIONAL CORD CONNECTION MU46318	RDH 04/24/2003	DRS	.XX	±.02	TITLE CONNECTION DIAGRAM		SCALE 1=1			
2	RE-ISSUE, ADDED '-' TO PART NUMBER	BLR 08/09/1999	GK	.XXX	±.005	3∅ - DUAL VOLTAGE MOTOR		REF			
1	NEW DRAWING	BLR 06/18/1999	GK	.XXXX	±.0005	MAT'L.		FMF			
				ANG	±7'30"			PREV			
THIS DRAWING IN DESIGN AND DETAIL IS OUR PROPERTY AND MUST NOT BE USED EXCEPT IN CONNECTION WITH OUR WORK ALL RIGHTS OF DESIGN AND INVENTION ARE RESERVED THIS IS AN ELECTRONICALLY GENERATED DOCUMENT - DO NOT SCALE THIS PRINT				RFP	CAD FILE EE7308LN			SIZE A	DRAWING NO. EE7308-LN	PAGE OF 3	REV. 3
				DIST WP							



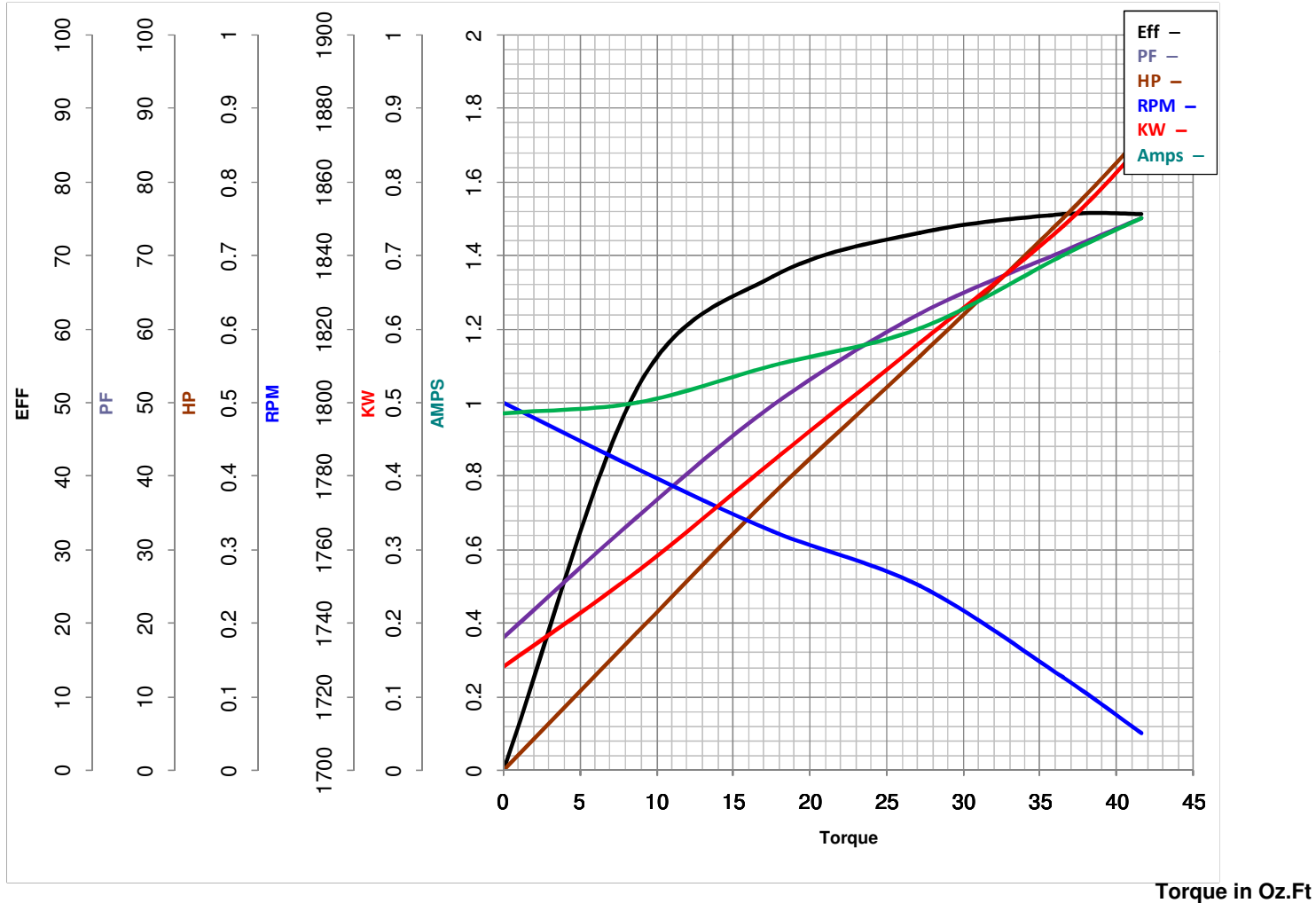


LEESON ELECTRIC CORPORATION
TYPICAL PERFORMANCE CURVE for AC MOTOR

Model No LM24076

Catalog No LM24076A

Curve at 460 Volts HP 0.75 PHASE 3
60 HZ
0.75 HP VOLTS 230/460
HZ 60 RPM 1725



FL TORQUE	<u>36.48</u> Oz.Ft	FL AMPS	<u>2.8/1.4</u>
BD TORQUE	<u>152.0</u> Oz.Ft	PU TORQUE	<u>134.4</u> Oz.Ft
LR TORQUE	<u>136</u> Oz.Ft	LR AMPS	<u>9</u>
WINDING	TE48412-3	Date	6/4/2018