

# PRODUCT INFORMATION PACKET



Model No: SRF4S0.5TC61  
 Catalog No: LM24074  
 1/2,1725,TEFC,S56C,3,230/460  
 Totally Enclosed Fan Cooled (TEFC)

**Lincoln**  
MOTORS

*Signature Series*  
1-800-MOTOR-4-U  
ASSEMBLED IN MEXICO

MOD NO. SRF4S0.5TC61  
 CUST PART NO.  
 PRODUCT. H:17K V LM24074A  
 FR S56C PH. 3 TYPE. TS  
 AMB. 40°C INS. B3 DUTY. CONT  
 DESIGN B

HZ. 60  
 H.P. 1/2  
 R.P.M 1725  
 VOLTS 230/460  
 F.L.A. 2.2/1.1  
 S.F. 1.15  
 S.F.A. 2.4/1.2

IP 43  
 KW 0.37

CODE M ENCL. TEFC  
 EFF. 70 PF (COS φ)  
 SUITABLE FOR 208V 60 HZ @ 1.15 S.F.  
 DRIVE/OPP  
 PERMANENTLY LUBRICATED BALL BRGS.

**WARNING:** FAILURE TO FOLLOW ALL SAFETY INFORMATION CAN RESULT IN SERIOUS PERSONAL INJURY OR DEATH. DISCONNECT ALL POWER BEFORE SERVICING. INSTALL AND GROUND PER LOCAL AND NATIONAL CODES CONSULT QUALIFIED PERSONNEL WITH ANY QUESTIONS.

LOW VOLTAGE HIGH VOLTAGE

T4 T5 T6 T4 T5 T6  
 T7 T8 T9 T7 T8 T9  
 T1 T2 T3 T1 T2 T3

LINE LINE LINE LINE LINE LINE  
 TO REVERSE ROTATION, INTERCHANGE  
 ANY TWO LINE LEADS.

103014

Regal and Leeson are trademarks of Regal Beloit Corporation or one of its affiliated companies.  
 ©2018 Regal Beloit Corporation, All Rights Reserved. MC017097E





### Nameplate Specifications

Output HP	<b>0.50 Hp</b>	Output KW	<b>0.37 kW</b>
Frequency	<b>60 Hz</b>	Voltage	<b>230/460 V</b>
Current	<b>2.2/1.1 A</b>	Speed	<b>1725 rpm</b>
Service Factor	<b>1.15</b>	Phase	<b>3</b>
Efficiency	<b>70 %</b>	Duty	<b>Continuous</b>
Insulation Class	<b>B</b>	Design Code	<b>B</b>
KVA Code	<b>M</b>	Frame	<b>S56C</b>
Enclosure	<b>Totally Enclosed Fan Cooled</b>	Overload Protector	<b>No</b>
Ambient Temperature	<b>40 °C</b>	Drive End Bearing Size	<b>203</b>
Opp Drive End Bearing Size	<b>203</b>	UL	<b>Recognized</b>
CSA	<b>Y</b>	CE	<b>N</b>
IP Code	<b>43</b>		

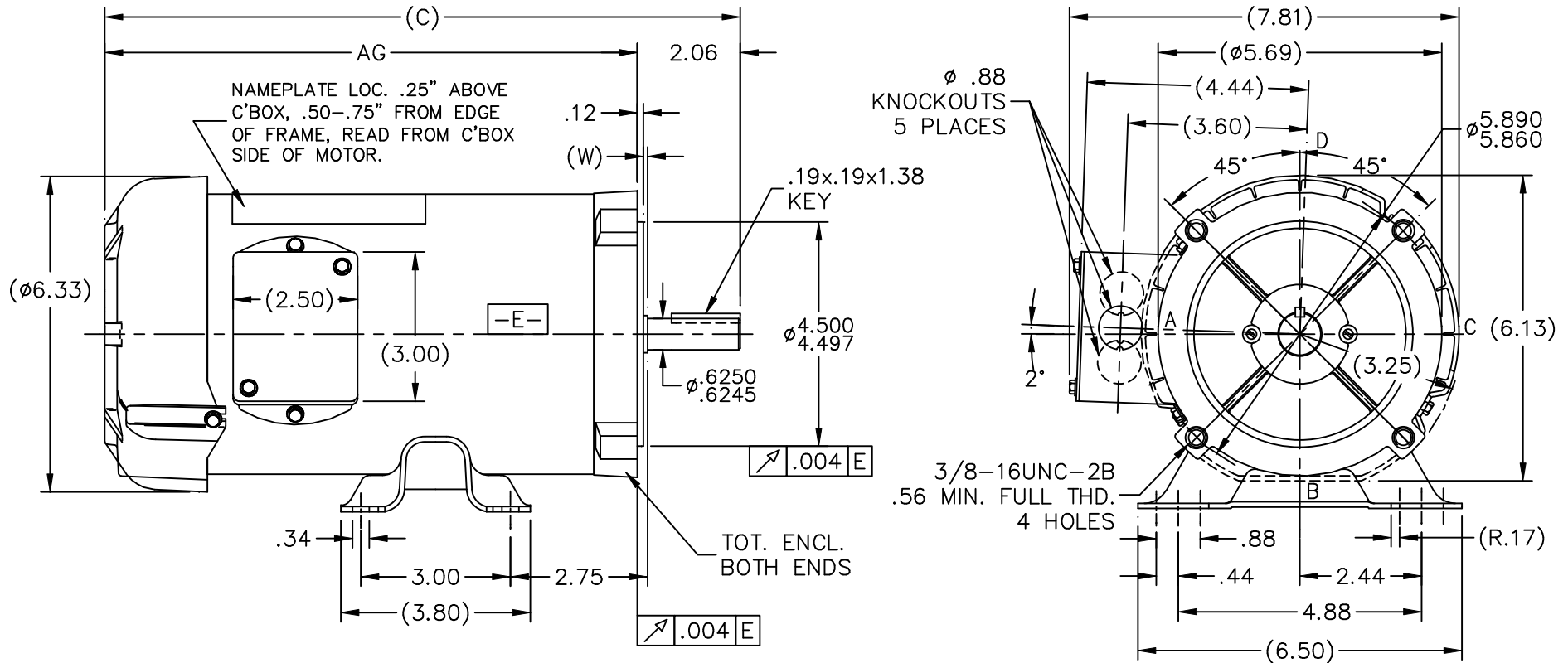
### Technical Specifications

Electrical Type	<b>Squirrel Cage Induction Run</b>	Starting Method	<b>Across The Line</b>
Poles	<b>4</b>	Rotation	<b>Reversible</b>
Mounting	<b>Rigid base</b>	Motor Orientation	<b>HORIZONTAL</b>
Drive End Bearing	<b>BALL</b>	Opp Drive End Bearing	<b>BALL</b>
Frame Material	<b>Rolled Steel</b>	Shaft Type	<b>NEMA 56</b>
Overall Length	<b>10.69 in</b>	Frame Length	<b>5.75 in</b>
Shaft Diameter	<b>0.625 in</b>	Shaft Extension	<b>1.88 in</b>
Assembly/Box Mounting	<b>F1 ONLY</b>		
Outline Drawing	<b>A-SS75180LN-575</b>	Connection Diagram	<b>A-EE7308-LN</b>

This is an uncontrolled document once printed or downloaded and is subject to change without notice. Date Created: 10/15/2018

'W' = CLEARANCE ALLOWED FOR ALL VARIANCES  
IN MANUFACTURING & ASSEMBLY

SS75180LN



DASH	C	AG	DASH	C	AG
500	9.94	7.88	625	11.19	9.13
525	10.19	8.13	550	10.44	8.38
575	10.69	8.63			

			TOLERANCES UNLESS SPECIFIED		Lincoln MOTORS	DRAWN
			DEC.	INCHES		CHK
			.X	±.1		APPD
			.XX	±.03		SCALE
			.XXX	±.005	TITLE	5=16
			.XXXX	±.0005	MAT'L.	REF
1	NEW DRAWING	BLR 06-17-1999	CHK	ANG	FINISH	FMF
NO.	REVISION	BY & DATE	RFP	06-17-1999	CAD FILE	PREV
			DIST	WP	SS75180ln	
			SIZE	A	DRAWING NO.	PAGE OF
					SS75180LN	1

THIS DRAWING IN DESIGN AND DETAIL IS OUR PROPERTY AND MUST NOT BE USED EXCEPT IN CONNECTION WITH OUR WORK ALL RIGHTS OF DESIGN AND INVENTION ARE RESERVED THIS IS AN ELECTRONICALLY GENERATED DOCUMENT - DO NOT SCALE THIS PRINT

7/26/2007 2:30:56 PM -

Dealers Industrial Equipment -- Visit <https://DealersElectric.com> or call (908) 688-1966 for all of your electric motor & VFD needs!

THREE PHASE  
DUAL VOLTAGE MOTOR

HIGH VOLTAGE



LOW VOLTAGE



VIEW OF TERMINAL END

REF.  
WINDING DIAGRAM

T8Y, T2Y, T2BL, T4BX, T2EC, T2G  
T6BZ, T2B, T6BL, T4AV, T6B, T4B

OPTIONAL CORD  
CONNECTION

L1 WHITE  
L2 RED  
L3 BLACK

NO.	REVISION	BY & DATE	CHK	TOLERANCES UNLESS SPECIFIED		FINISH	DRAWN	DATE			
				DEC.	INCHES						
				.X	±.1		BLR	06/11/1999			
							ML	06/18/1999			
							GK	06/18/1999			
3	ADDED THE OPTIONAL CORD CONNECTION MU46318	RDH 04/24/2003	DRS	.XX	±.02	TITLE CONNECTION DIAGRAM		SCALE 1=1			
2	RE-ISSUE, ADDED '-' TO PART NUMBER	BLR 08/09/1999	GK	.XXX	±.005	3Ø - DUAL VOLTAGE MOTOR		REF			
1	NEW DRAWING	BLR 06/18/1999	GK	.XXXX	±.0005	MAT'L.		FMF			
				ANG	±7'30"			PREV			
THIS DRAWING IN DESIGN AND DETAIL IS OUR PROPERTY AND MUST NOT BE USED EXCEPT IN CONNECTION WITH OUR WORK ALL RIGHTS OF DESIGN AND INVENTION ARE RESERVED THIS IS AN ELECTRONICALLY GENERATED DOCUMENT - DO NOT SCALE THIS PRINT				RFP	CAD FILE EE7308LN			SIZE A	DRAWING NO. EE7308-LN	PAGE OF 3	REV. 3
				DIST WP							



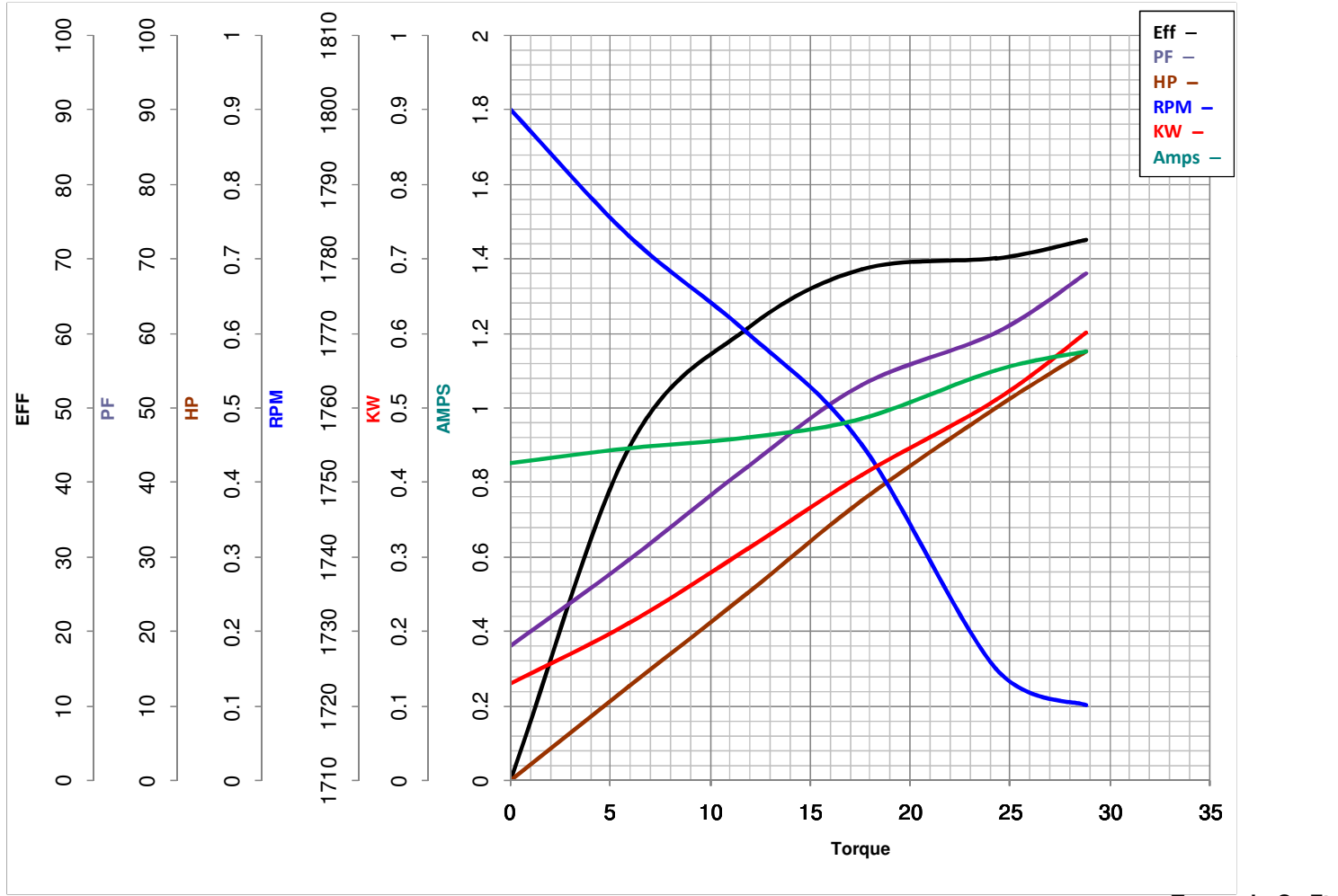


**LEESON ELECTRIC CORPORATION**  
TYPICAL PERFORMANCE CURVE for AC MOTOR

Model No LM24074

Catalog No LM24074A

Curve at 460 Volts      HP 0.50      PHASE 3  
60 HZ  
0.5 HP      VOLTS 230/460  
   HZ 60      RPM 1725



<b>FL TORQUE</b>	<u>24.32</u> Oz.Ft	<b>FL AMPS</b>	<u>2.2/1.1</u>
<b>BD TORQUE</b>	<u>116.8</u> Oz.Ft	<b>PU TORQUE</b>	<u>105.6</u> Oz.Ft
<b>LR TORQUE</b>	<u>99.2</u> Oz.Ft	<b>LR AMPS</b>	<u>6.4</u>
<b>WINDING</b>	TE48415-3	<b>Date</b>	6/4/2018