

PRODUCT INFORMATION PACKET



Model No: SRF4S1TC61Q40
Catalog No: LM22661
1,1800,TEFC,56C,3/60/230/460
4:1 Speed Ratio



Regal and Leeson are trademarks of Regal Beloit Corporation or one of its affiliated companies.
©2018 Regal Beloit Corporation, All Rights Reserved. MC017097E





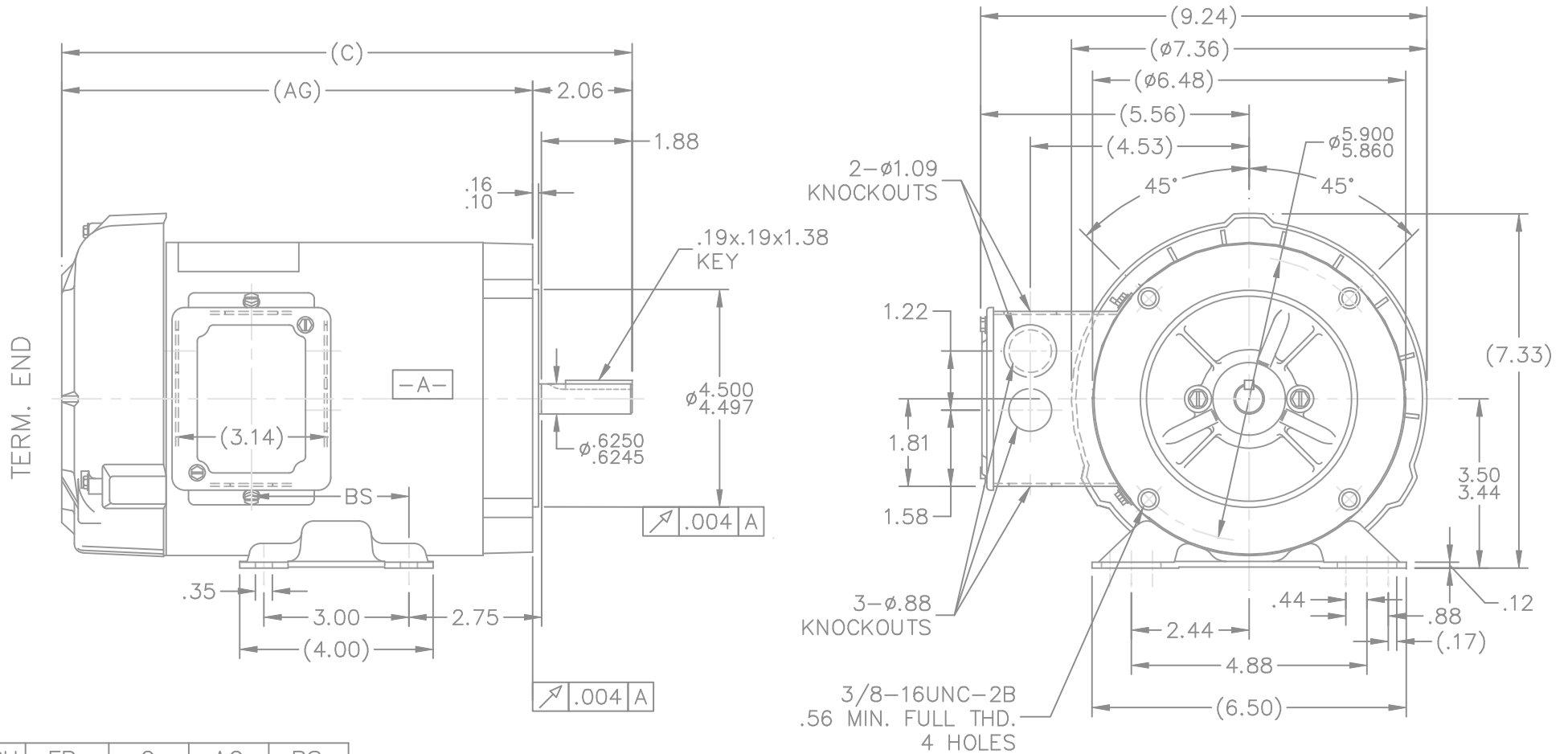
Nameplate Specifications

Output HP	1 Hp	Output KW	0.75 kW
Frequency	60 Hz	Voltage	230/460 V
Current	3.0/1.5 A	Speed	1725 rpm
Service Factor	1	Phase	3
Efficiency	82.5 %	Duty	Continuous
Insulation Class	F	Design Code	INV
KVA Code	M	Frame	56
Enclosure	Totally Enclosed Fan Cooled	Overload Protector	No
Ambient Temperature	40 °C	Drive End Bearing Size	203
Opp Drive End Bearing Size	203	UL	Recognized
CSA	Y	CE	N
IP Code	43		

Technical Specifications

Electrical Type	Squirrel Cage Inverter Duty	Starting Method	Inverter Only
Poles	4	Rotation	Reversible
Mounting	Rigid base	Motor Orientation	HORIZONTAL
Drive End Bearing	BALL	Opp Drive End Bearing	BALL
Frame Material	Rolled Steel	Shaft Type	NEMA 56
Overall Length	12.81 in	Frame Length	7.56 in
Shaft Diameter	0.625 in	Shaft Extension	1.88 in
Assembly/Box Mounting	F1 ONLY		
Outline Drawing	A-100110LN-756	Connection Diagram	A-EE7308T-LN

This is an uncontrolled document once printed or downloaded and is subject to change without notice. Date Created: 10/15/2018



DASH	FR.	C	AG	BS
606	56-60	11.31	9.25	2.75
656	56-65	11.81	9.75	3.25
706	56-70	12.31	10.25	3.75
756	56-75	12.81	10.75	4.25

06-01-2000

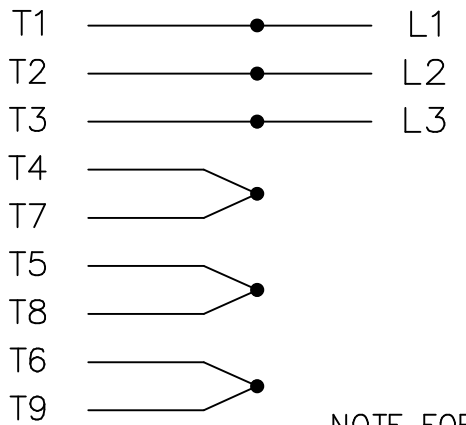
NOTES:

1. CONDUIT BOX CAN BE ROTATED 180°.
2. NAMEPLATE READ FROM CONDUIT BOX SIDE OF MOTOR.

		TOLERANCES UNLESS SPECIFIED		Lincoln MOTORS		DRAWN BLR 06-10-1999	
		DEC.	INCHES			CHK	ML 06-18-1999
		.X	±.1			APPD	GK 06-18-1999
		.XX	±.03	TITLE OUTLINE		SCALE 5=16	
2	ADDED NAMEPLATE LOC. CN27400-296	BLR	08-05-1999	.XXX	±.005	REF	
1	NEW DRAWING	BLR	06-18-1999	.XXXX	±.0005	FMF	
NO.	REVISION	BY & DATE	CHK	ANG	±'30"	FINISH	PREV
			RFP	06-18-1999		CAD FILE 100110ln	SIZE A
			DIST	WP		DRAWING NO. 100110LN	PAGE 1 OF 1
THIS DRAWING IN DESIGN AND DETAIL IS OUR PROPERTY AND MUST NOT BE USED EXCEPT IN CONNECTION WITH OUR WORK ALL RIGHTS OF DESIGN AND INVENTION ARE RESERVED THIS IS AN ELECTRONICALLY GENERATED DOCUMENT - DO NOT SCALE THIS PRINT							REV. 2

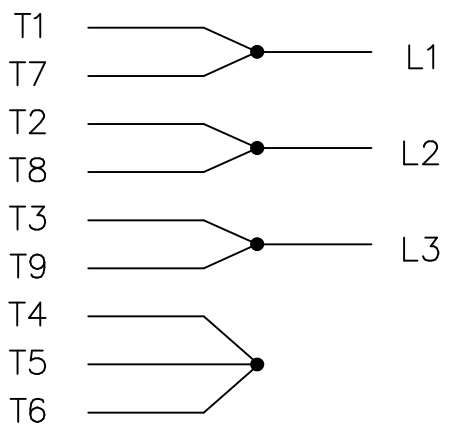
THREE PHASE
DUAL VOLTAGE MOTOR

HIGH VOLTAGE

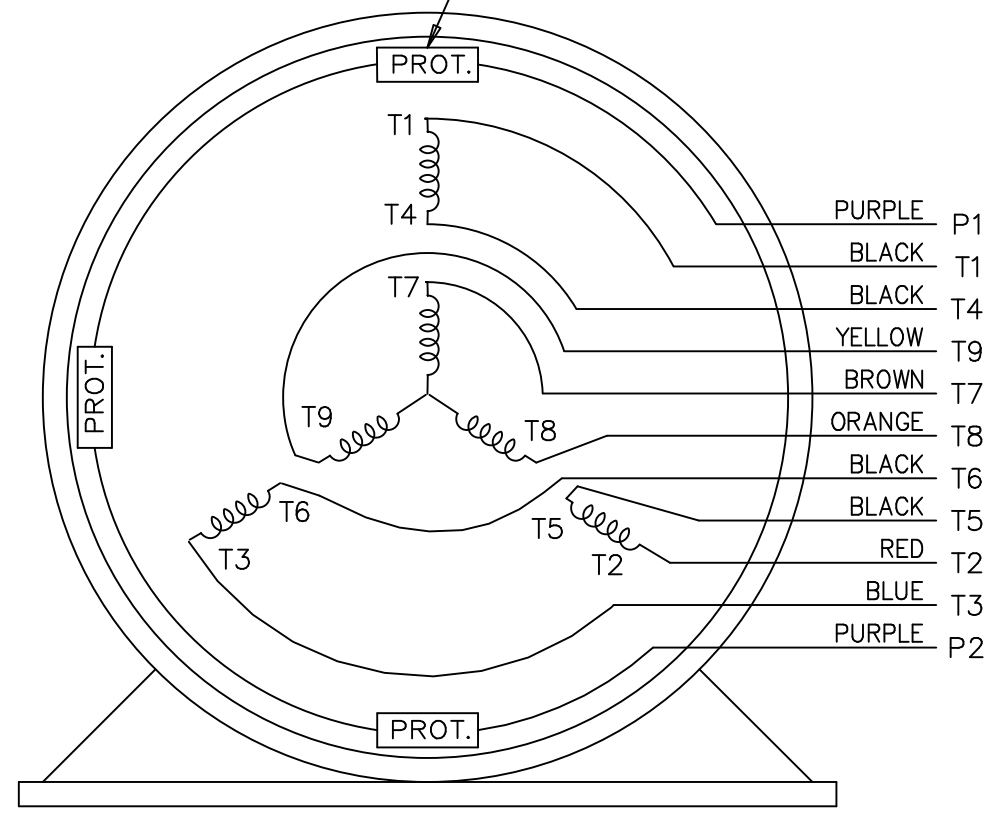


NOTE FOR FACTORY USE ONLY:
TO SURGE TEST FOR COMMON CONNECT:
HIGH VOLT: CONNECT P1 TO T1
THEN P2 TO L1
LOW VOLT: CONNECT P1 TO T1 & T7,
THEN P2 TO L1

LOW VOLTAGE



THREMO-PROTECTORS
CONNECTED IN SERIES.



VIEW OF TERMINAL END

				TOLERANCES UNLESS SPECIFIED			DRAWN BJK 07-16-2002
				DEC.	INCHES		CHK DRS 07-18-2002
				.X	±.1		APPD GK 07-18-2002
				.XX	±.02		SCALE 1=1
2	ADDED COLORS TO "T & P" LEADS	CN 40494	MSG 08-08-2006	ML	.XXX	±.005	TITLE CONNECTION DIAGRAM 3 PHASE - DUAL VOLTAGE MOTOR
1	NEW DRAWING		BJK 07-18-2002	DRS	.XXXX	±.0005	MAT'L.
NO.	REVISION	BY & DATE	CHK	ANG	±7'30"		PREV
THIS DRAWING IN DESIGN AND DETAIL IS OUR PROPERTY AND MUST NOT BE USED EXCEPT IN CONNECTION WITH OUR WORK ALL RIGHTS OF DESIGN AND INVENTION ARE RESERVED THIS IS AN ELECTRONICALLY GENERATED DOCUMENT - DO NOT SCALE THIS PRINT				RFP	CAD FILE ee7308t_ln		SIZE A
				DIST LB			DRAWING NO. EE7308T-LN
							PAGE OF 2
							REV. 2



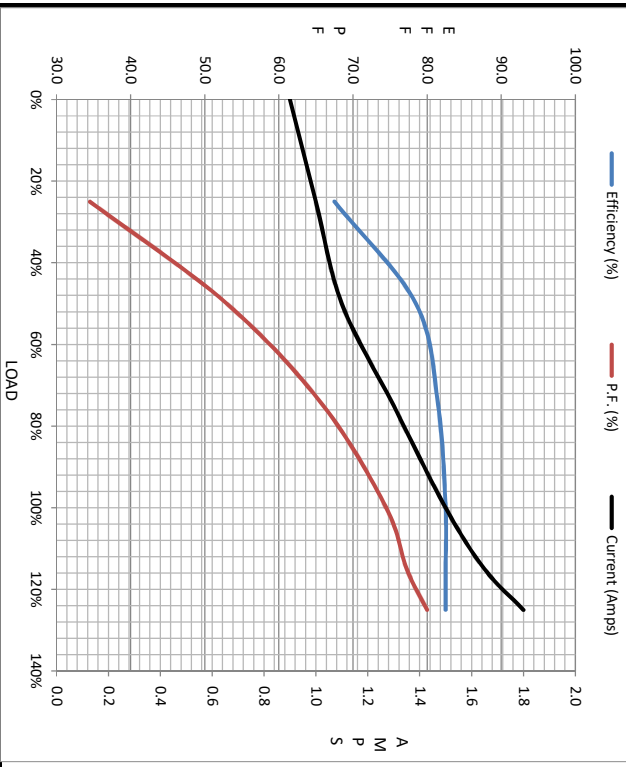
		Motor Load Data					LR	
Load		0%	25%	50%	75%	100%	115%	125%
Current (Amps)		0.90	1.00	1.10	1.30	1.50	1.65	1.80
Torque (ft-lb)		0.00	0.75	1.50	2.25	3.0	3.4	3.8
RPM		1800	1790	1780	1765	1755	1749	1740
Efficiency (%)			67.5	78.5	81.5	82.5	82.5	82.5
P.F. (%)		11.0	34.5	53.0	66.0	74.5	77.3	80.0
							69.0	

Motor Speed Data

	LR	Pull-Up	BD	Rated	Idle
Speed (RPM)	0	400	1250	1755	1800
Current (Amps)	13.0	11.5	8.8	1.50	0.90
Torque (ft-lb)	9.8	9.0	13.0	3.0	0.00

Information Block

HP	1.0			
Sync. RPM	1800			
Frame	56			
Enclosure	TEFC			
Construction	TFR			
Voltage	230/460 V			
Frequency	60 Hz			
Design	B			
LR Code letter	M			
Service Factor	1.15			
Temp Rise @ FL	38 °C			
Duty	CONT			
Ambient	40 °C			
Elevation	1,000 feet			
Rotor/Shaft wk ²	0.08 LB-Ft ²			
Ref Wdg	Z14145 R2			
Sound Pressure @ 1M	62 dBA			
VFD Rating	CONSTANT 4:1			
Outline Dwg	A-100110LN-756			
Conn. Diag	A-EE7308T-LN			
Additional Specifications:				
0				
EQUIV CKT (OHMS / PHASE)				
R1	R2	X1	X2	Xm
9.7/30	6.4/180	12.4/390	11.1/040	303.88/00



Speed - Torque Curve

