

# PRODUCT INFORMATION PACKET



Model No: LM22653  
Catalog No: LM22653  
0.75 HP Variable Speed Motor, 3 phase, 3600 RPM, 230/460 V, 56C Frame, TEFC  
4:1 Speed Ratio Motors



Regal and Leeson are trademarks of Regal Beloit Corporation or one of its affiliated companies.  
©2019 Regal Beloit Corporation, All Rights Reserved. MC017097E





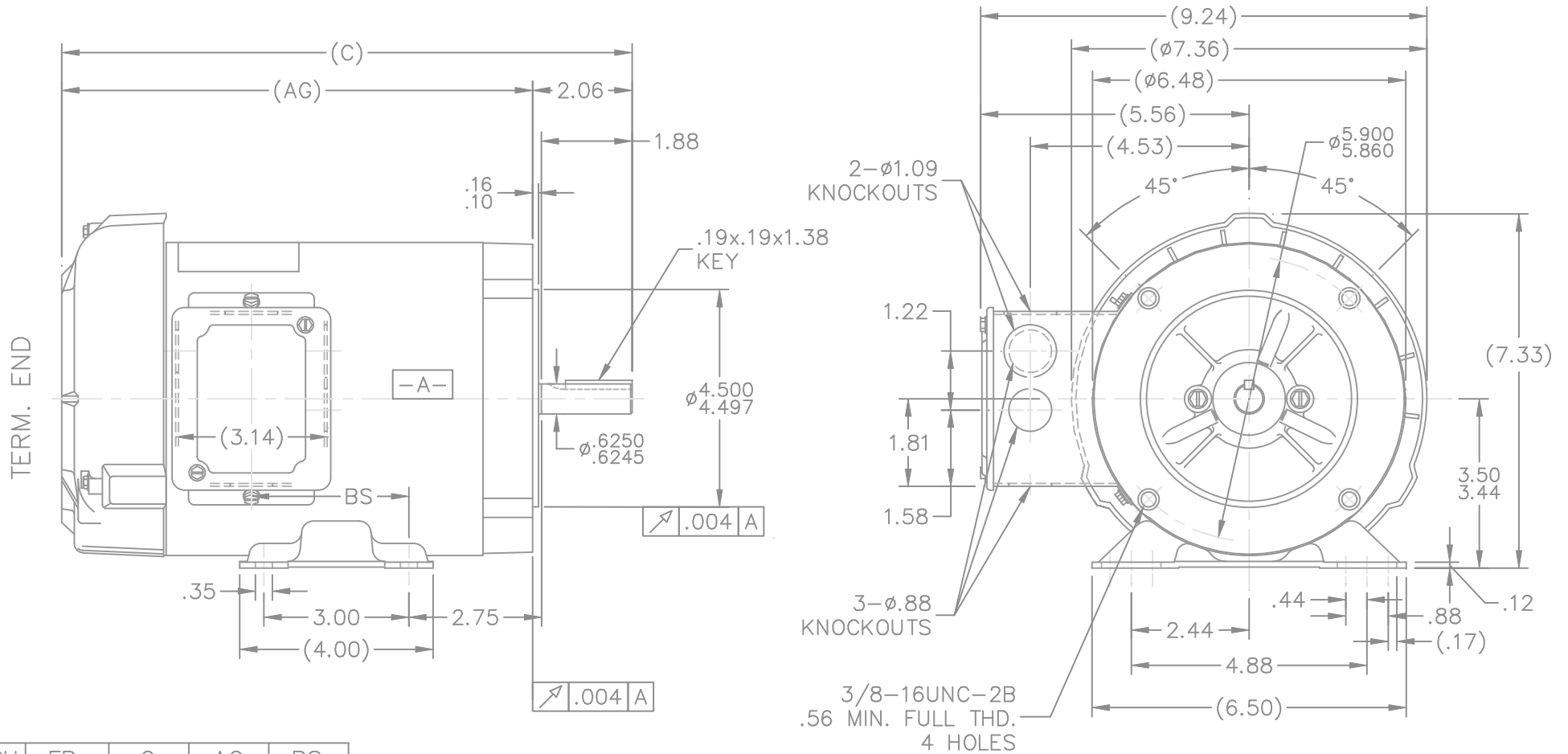
### Nameplate Specifications

Output HP	<b>0.75 Hp</b>	Output KW	<b>0.56 kW</b>
Frequency	<b>60 Hz</b>	Voltage	<b>230/460 V</b>
Current	<b>3.4/1.7 A</b>	Speed	<b>3450 rpm</b>
Service Factor	<b>1</b>	Phase	<b>3</b>
Efficiency	<b>74 %</b>	Power Factor	<b>69</b>
Duty	<b>Continuous</b>	Insulation Class	<b>F</b>
Design Code	<b>INV</b>	KVA Code	<b>N</b>
Frame	<b>56C-65</b>	Enclosure	<b>Totally Enclosed Fan Cooled</b>
Thermal Protection	<b>No</b>	Ambient Temperature	<b>40 °C</b>
Drive End Bearing Size	<b>203</b>	Opp Drive End Bearing Size	<b>203</b>
UL	<b>No</b>	CSA	<b>Y</b>
CE	<b>N</b>	IP Code	<b>43</b>

### Technical Specifications

Electrical Type	<b>Squirrel Cage Inverter Duty</b>	Starting Method	<b>Inverter Only</b>
Poles	<b>2</b>	Rotation	<b>Reversible</b>
Resistance Main	<b>5.66 Ohms</b>	Mounting	<b>Rigid base</b>
Motor Orientation	<b>Horizontal</b>	Drive End Bearing	<b>Ball</b>
Opp Drive End Bearing	<b>Ball</b>	Frame Material	<b>Rolled Steel</b>
Shaft Type	<b>T</b>	Overall Length	<b>11.81 in</b>
Frame Length	<b>6.56 in</b>	Shaft Diameter	<b>0.625 in</b>
Shaft Extension	<b>2.06 in</b>	Assembly/Box Mounting	<b>F1 Only</b>

This is an uncontrolled document once printed or downloaded and is subject to change without notice. Date Created:01/11/2019




DASH	FR.	C	AG	BS
606	56-60	11.31	9.25	2.75
656	56-65	11.81	9.75	3.25
706	56-70	12.31	10.25	3.75
756	56-75	12.81	10.75	4.25

06-01-2000

NOTES:

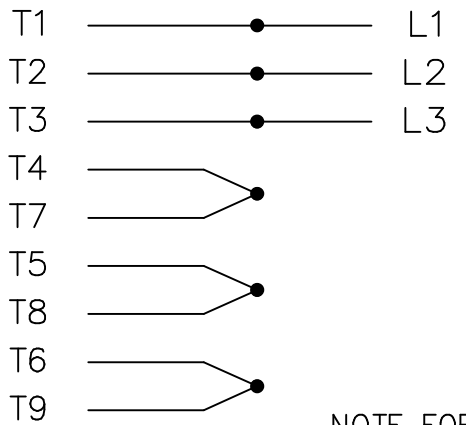
1. CONDUIT BOX CAN BE ROTATED 180°.
2. NAMEPLATE READ FROM CONDUIT BOX SIDE OF MOTOR.

				TOLERANCES UNLESS SPECIFIED			DRAWN BLR 06-10-1999			
				DEC.	INCHES		CHK ML 06-18-1999	APPD GK 06-18-1999		
				.X	±.1	TITLE OUTLINE 56 FRAME - TEFC - C'FACE	SCALE 5=16			
2	ADDED NAMEPLATE LOC.	CN27400-296	BLR 08-05-1999	.XXX	±.005		MAT'L.	REF		
1	NEW DRAWING		BLR 06-18-1999	.XXXX	±.0005	FINISH	FMF			
NO.	REVISION	BY & DATE	CHK	ANG	±'30"		PREV			
			RFP	06-18-1999		CAD FILE 100110ln	SIZE A	DRAWING NO. 100110LN	PAGE 1 OF 1	REV. 2
			DIST	WP						

THIS DRAWING IN DESIGN AND DETAIL IS OUR PROPERTY AND MUST NOT BE USED EXCEPT IN CONNECTION WITH OUR WORK ALL RIGHTS OF DESIGN AND INVENTION ARE RESERVED THIS IS AN ELECTRONICALLY GENERATED DOCUMENT - DO NOT SCALE THIS PRINT

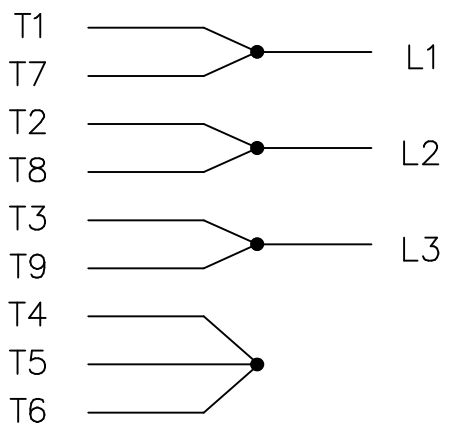
THREE PHASE  
DUAL VOLTAGE MOTOR

HIGH VOLTAGE

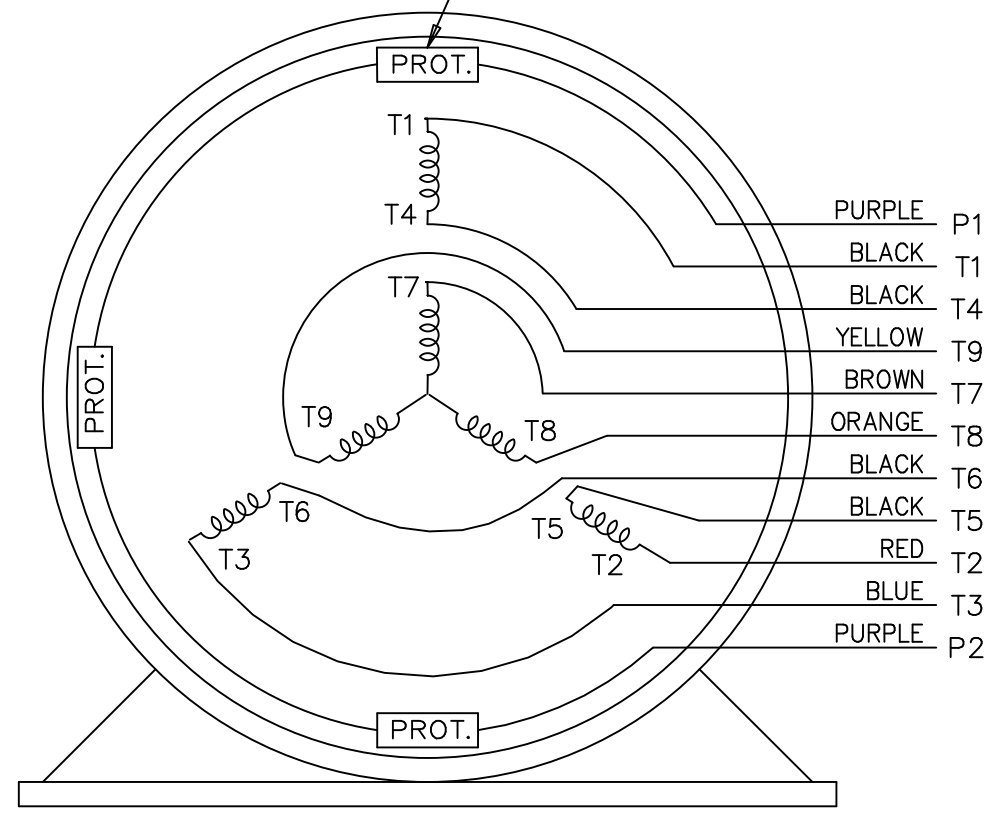


NOTE FOR FACTORY USE ONLY:  
TO SURGE TEST FOR COMMON CONNECT:  
HIGH VOLT: CONNECT P1 TO T1  
THEN P2 TO L1  
LOW VOLT: CONNECT P1 TO T1 & T7,  
THEN P2 TO L1

LOW VOLTAGE



THREMO-PROTECTORS  
CONNECTED IN SERIES.



VIEW OF TERMINAL END

				TOLERANCES UNLESS SPECIFIED			DRAWN BJK 07-16-2002					
				DEC.	INCHES		CHK DRS 07-18-2002					
				.X	±.1		APPD GK 07-18-2002					
				.XX	±.02		SCALE 1=1					
2	ADDED COLORS TO "T & P" LEADS	CN 40494	MSG 08-08-2006	ML	.XXX	±.005	TITLE CONNECTION DIAGRAM 3 PHASE - DUAL VOLTAGE MOTOR		REF			
1	NEW DRAWING		BJK 07-18-2002	DRS	.XXXX	±.0005			MAT'L.	FMF		
NO.	REVISION	BY & DATE	CHK	ANG	±7'30"		FINISH	PREV				
THIS DRAWING IN DESIGN AND DETAIL IS OUR PROPERTY AND MUST NOT BE USED EXCEPT IN CONNECTION WITH OUR WORK ALL RIGHTS OF DESIGN AND INVENTION ARE RESERVED THIS IS AN ELECTRONICALLY GENERATED DOCUMENT - DO NOT SCALE THIS PRINT				RFP	CAD FILE ee7308t_ln			SIZE	DRAWING NO.	PAGE	OF	REV.
				DIST	LB			A	EE7308T-LN			2



1051 CHEYENNE AVE.  
 GRAFTON, WI 53024  
 PH. 262-277-8810

DATA VOLTS: 460

**CERTIFICATION DATA SHEET**

CONN. DIAGRAM: A-EE7308T-LN  
 OUTLINE: A-100110LN-656  
 WINDING: ZT205

CAT #: LM22653

NONE 3

**TYPICAL MOTOR PERFORMANCE DATA**

HP	KW	SYNC RPM	FL RPM	FRAME	ENCLOSURE	TYPE	KVA CODE	DESIGN	
0.75	0.56	3600	3450	56C	DP	TDR	N	B	
PH	HZ	VOLTS	AMPS	START TYPE	DUTY	INSL	S.F.	AMB	ELEV.
3	60	230/460	3.2/1.6	INVERTER ONLY	CONT	F	1.15	40	3300

F.L. EFF	74.0	3/4 LD EFF	72.5	1/2 LD EFF	65.5	GTD EFF		ELECT. TYPE
F.L. PF	69.0	3/4 LD PF	61.0	1/2 LD PF	49.5	70.0		SQ CAGE INV DUTY

F.L. TORQUE	LR AMPS @ 460 V	L.R. TORQUE	B.D. TORQUE	F.L. RISE (° C)
1.15 LB-FT	11.4	3.8 LB-FT	5.4 LB-FT	38

PRESSURE @ 3	SOUND	POWER	ROTOR WK²	MAX. LOAD WK²	SAFE STALL TIME	STARTS/HOUR	MOTOR WGT
68 DBA	77 DBA		0.02 LB-FT²	1.5 LB-FT²	12 SEC.	2	20 LB.

\*\*\* SUPPLEMENTAL INFORMATION \*\*\*

DE BRACKET TYPE	ODE BRACKET TYPE	MOUNT TYPE	MOTOR ORIENTATION	SEVERE DUTY	HAZARDOUS LOCATION	DRIP COVER	SCREENS	PAINT
C-FACE	STANDARD	RIGID	HORIZONTAL	NO	NONE	NO	NONE	WATTS/VER

BEARINGS	GREASE	SHAFT TYPE	SPECIAL DE	SPECIAL ODE	SHAFT MATERIAL	FRAME MATERIAL
DE ODE						
BALL BALL	POLYREX EM	T	NONE	NONE	1144 STRESSPROOF (C-223)	ROLLED STEEL

THERMOSTATS	PROTECTORS	WDG RTD's	BRG RTD's	THERMISTORS	CONTROL	SPACE HEATERS
TSTATS (N/C)	NOT	NONE	NONE	NONE	FALSE	NA

R1 (ohms/ph)	R2 (ohms/ph)	X1 (ohms/ph)	X2 (ohms/ph)	Xm (ohms/ph)	VIBRATION (in/sec)	FLOAT
0	0	0	0	0	0.080	ODE

INVERTER TORQUE: CONSTANT 4:1
INV. HP SPEED RANGE: NONE
ENCODER: NONE
BRAKE: NONE
FT-LB: N/A
VOLTAGE: NONE
UL: NONE-OVER TEMP PROT 3. P1-P2

DATE: 9/10/2018	
-----------------	--