

PRODUCT INFORMATION PACKET



Model No: SRF4S0.33TC61Q40
Catalog No: LM22645
1/3,1800,TEFC,56C,3/60/230/460
4:1 Speed Ratio



Regal and Leeson are trademarks of Regal Beloit Corporation or one of its affiliated companies.
©2018 Regal Beloit Corporation, All Rights Reserved. MC017097E





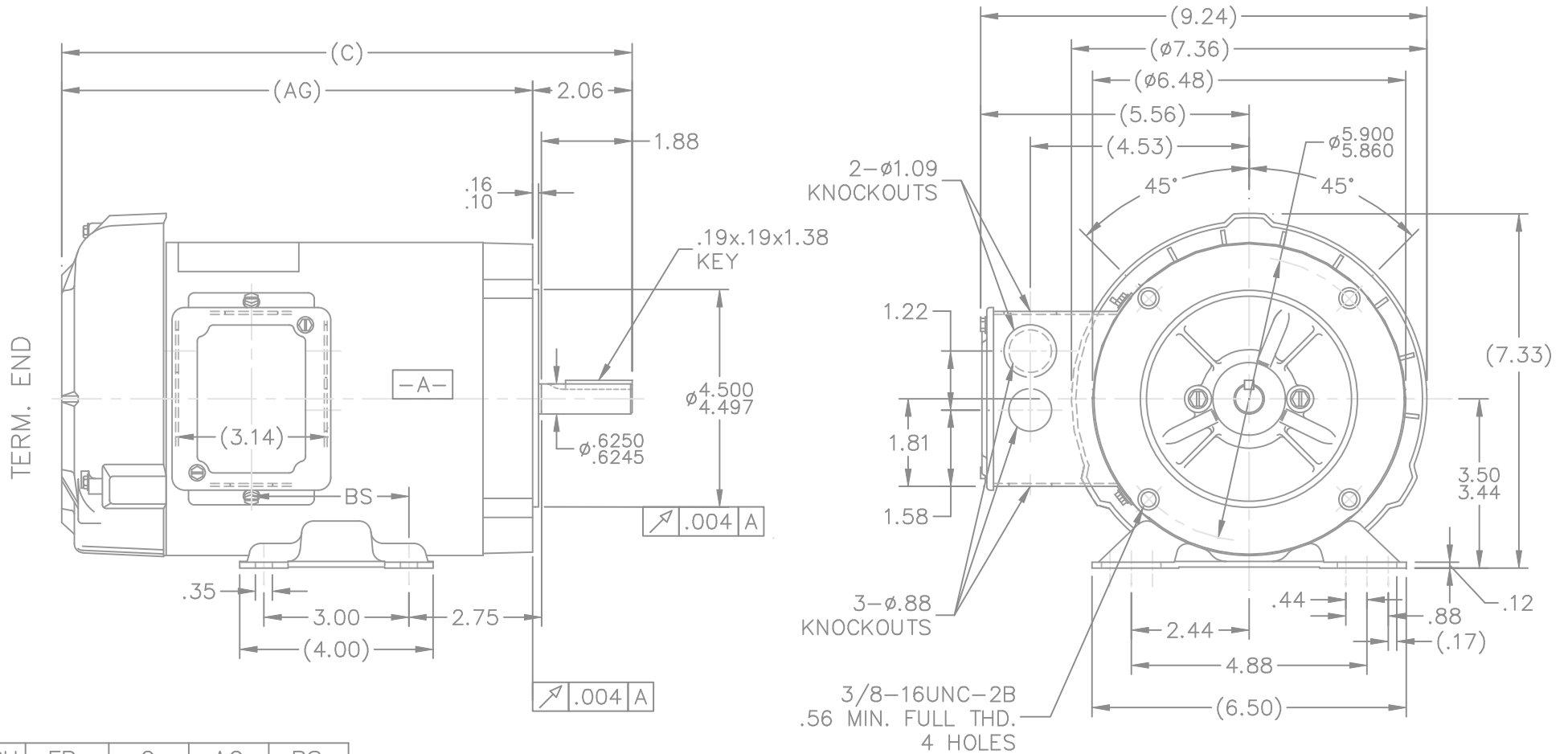
Nameplate Specifications

Output HP	0.33 Hp	Output KW	0.25 kW
Frequency	60 Hz	Voltage	230/460 V
Current	1.6/0.80 A	Speed	1725 rpm
Service Factor	1	Phase	3
Efficiency	65.5 %	Duty	Continuous
Insulation Class	F	Design Code	INV
KVA Code	P	Frame	56C
Enclosure	Totally Enclosed Fan Cooled	Overload Protector	No
Ambient Temperature	40 °C	Drive End Bearing Size	203
Opp Drive End Bearing Size	203	UL	Recognized
CSA	Y	CE	N
IP Code	43		

Technical Specifications

Electrical Type	Squirrel Cage Inverter Duty	Starting Method	Inverter Only
Poles	4	Rotation	Reversible
Mounting	Rigid base	Motor Orientation	HORIZONTAL
Drive End Bearing	BALL	Opp Drive End Bearing	BALL
Frame Material	Rolled Steel	Shaft Type	NEMA 56
Overall Length	11.31 in	Frame Length	6.06 in
Shaft Diameter	0.625 in	Shaft Extension	1.88 in
Assembly/Box Mounting	F1 ONLY		
Outline Drawing	A-100110LN-606	Connection Diagram	A-EE7308T-LN

This is an uncontrolled document once printed or downloaded and is subject to change without notice. Date Created: 10/15/2018



- NOTES:
1. CONDUIT BOX CAN BE ROTATED 180°.
 2. NAMEPLATE READ FROM CONDUIT BOX SIDE OF MOTOR.

DASH	FR.	C	AG	BS
606	56-60	11.31	9.25	2.75
656	56-65	11.81	9.75	3.25
706	56-70	12.31	10.25	3.75
756	56-75	12.81	10.75	4.25

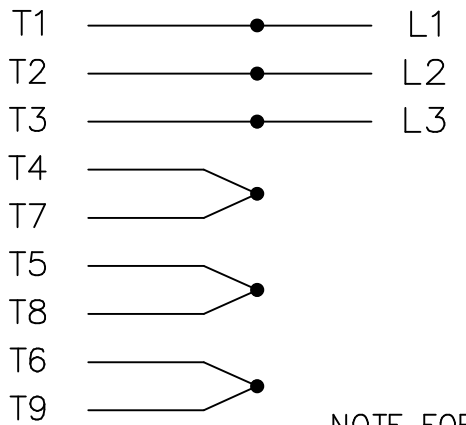
06-01-2000

				TOLERANCES UNLESS SPECIFIED		Lincoln MOTORS	DRAWN BLR 06-10-1999			
				DEC.	INCHES		CHK ML 06-18-1999	APPD GK 06-18-1999	SCALE 5=16	
				.X	±.1	TITLE OUTLINE 56 FRAME - TEFC - C'FACE	REF			
2	ADDED NAMEPLATE LOC. CN27400-296	BLR 08-05-1999		.XX	±.03		MAT'L.	FMF		
1	NEW DRAWING	BLR 06-18-1999		.XXXX	±.0005	FINISH	PREV			
NO.	REVISION	BY & DATE	CHK	ANG	±'30"		SIZE	DRAWING NO.	PAGE 1 OF 1	REV.
			RFP	06-18-1999		CAD FILE 100110ln	A	100110LN		2
			DIST	WP						

THIS DRAWING IN DESIGN AND DETAIL IS OUR PROPERTY AND MUST NOT BE USED EXCEPT IN CONNECTION WITH OUR WORK ALL RIGHTS OF DESIGN AND INVENTION ARE RESERVED THIS IS AN ELECTRONICALLY GENERATED DOCUMENT - DO NOT SCALE THIS PRINT

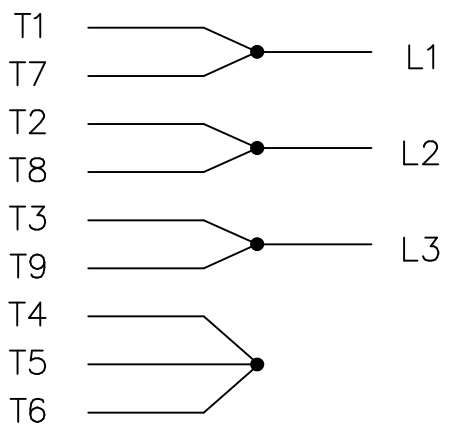
THREE PHASE
DUAL VOLTAGE MOTOR

HIGH VOLTAGE

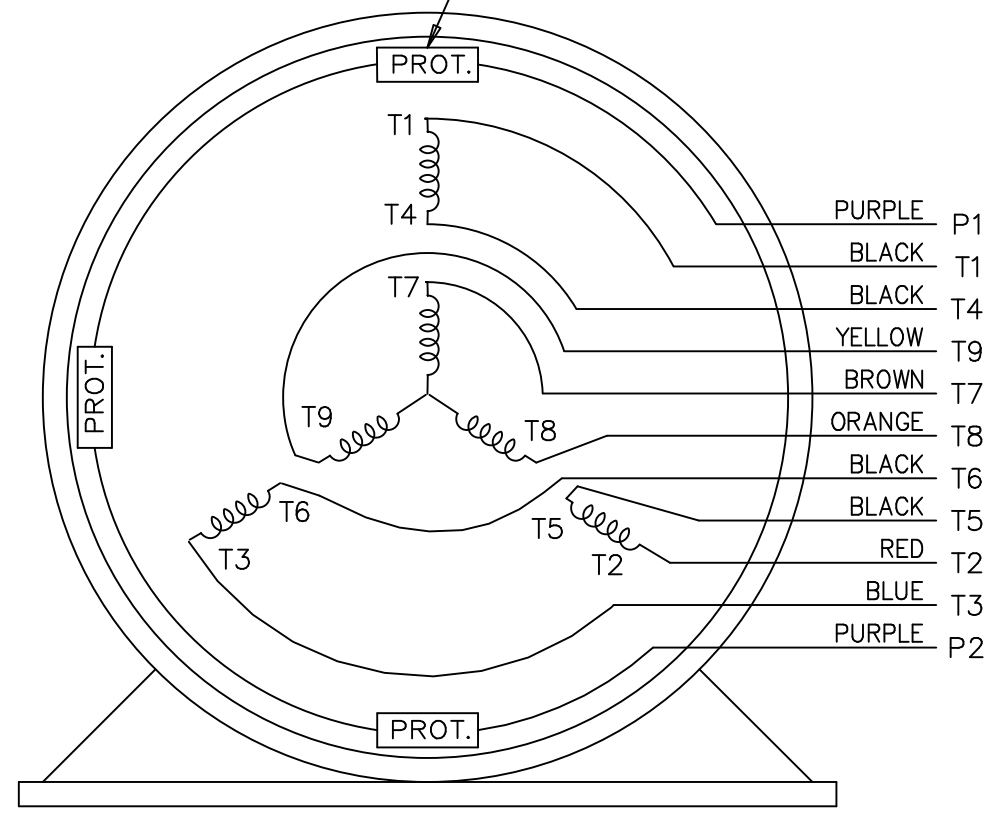


NOTE FOR FACTORY USE ONLY:
TO SURGE TEST FOR COMMON CONNECT:
HIGH VOLT: CONNECT P1 TO T1
THEN P2 TO L1
LOW VOLT: CONNECT P1 TO T1 & T7,
THEN P2 TO L1

LOW VOLTAGE



THREMO-PROTECTORS
CONNECTED IN SERIES.



VIEW OF TERMINAL END

				TOLERANCES UNLESS SPECIFIED			DRAWN BJK 07-16-2002
				DEC.	INCHES		CHK DRS 07-18-2002
				.X	±.1		APPD GK 07-18-2002
				.XX	±.02		SCALE 1=1
2	ADDED COLORS TO "T & P" LEADS	CN 40494	MSG 08-08-2006	ML	.XXX	±.005	TITLE CONNECTION DIAGRAM 3 PHASE - DUAL VOLTAGE MOTOR
1	NEW DRAWING		BJK 07-18-2002	DRS	.XXXX	±.0005	MAT'L.
NO.	REVISION	BY & DATE	CHK	ANG	±7'30"		PREV
THIS DRAWING IN DESIGN AND DETAIL IS OUR PROPERTY AND MUST NOT BE USED EXCEPT IN CONNECTION WITH OUR WORK ALL RIGHTS OF DESIGN AND INVENTION ARE RESERVED THIS IS AN ELECTRONICALLY GENERATED DOCUMENT - DO NOT SCALE THIS PRINT				RFP	CAD FILE ee7308t_ln		SIZE A
				DIST LB			DRAWING NO. EE7308T-LN
							PAGE OF 2
							REV. 2

Data Sheet

Date: 1/19/2018

LM22645



Data @ 460 V

Motor Load Data				Information Block			
Load	0%	25%	50%	75%	100%	115%	125%
Current (Amps)	0.60	0.65	0.70	0.75	0.80	0.83	0.85
Torque (ft-lb)	0.00	0.25	0.50	0.75	0.99	1.12	1.25
RPM	1800	1785	1770	1750	1750	1,744	1,735
P.F. (%)	18.0	33.5	44.5	53.5	60.0	66.5	67.5
						63.5	67.0
							72.0

Motor Speed Data					
	LR	Pull-Up	BD	Rated	Idle
Speed (RPM)	0	500	1150	1750	1800
Current (Amps)	5.3	4.4	3.8	0.80	0.50
Torque (ft-lb)	4.6	3.5	5.5	0.99	0.00

HP	0.3
Sync. RPM	1800
Frame	56
Enclosure	TEFC
Construction	TFR
Voltage	230/460 V
Frequency	60 Hz
Design	B
LR Code letter	P
Service Factor	1.15
Temp Rise @ FL	35 °C
Duty	CONT
Ambient	40 °C
Elevation	1,000 feet
Rotor/Shaft wk ²	0.04 LB-Ft ²
Ref Wdg	Z14151 R2
Sound Pressure @ 1M	62 dBA
VFD Rating	CONSTANT 4:1
Outline Dwg	A-100110LN-606
Conn. Diag	A-EE7308T-LN
Additional Specifications:	
0	
EQUIV CKT (OHMS / PHASE)	
R1	R2
22.6180	16.6840
X1	X2
25.5420	17.0280
Xm	
	434.3000

