

PRODUCT INFORMATION PACKET



Model No: SSD4P1T61Q40
Catalog No: LM21148
1,1800,DP,143T,3/60/230/460
10:1 Speed Ratio



Regal and Leeson are trademarks of Regal Beloit Corporation or one of its affiliated companies.
©2018 Regal Beloit Corporation, All Rights Reserved. MC017097E





Nameplate Specifications

Output HP	1 Hp	Output KW	0.75 kW
Frequency	60 Hz	Voltage	230/460 V
Current	3.1/1.6 A	Speed	1725 rpm
Service Factor	1	Phase	3
Efficiency	82.5 %	Duty	Continuous
Insulation Class	F	Design Code	B
KVA Code	M	Frame	143T
Enclosure	Drip Proof	Overload Protector	No
Ambient Temperature	40 °C	Drive End Bearing Size	205
Opp Drive End Bearing Size	203	UL	Recognized
CSA	Y	CE	N
IP Code	22		

Technical Specifications

Electrical Type	Squirrel Cage Inverter Rated	Starting Method	Line Or Inverter
Poles	4	Rotation	Reversible
Mounting	Rigid base	Motor Orientation	HORIZONTAL
Drive End Bearing	BALL	Opp Drive End Bearing	BALL
Frame Material	Rolled Steel	Shaft Type	T
Overall Length	12.49 in	Frame Length	8.56 in
Shaft Diameter	0.875 in	Shaft Extension	2.25 in
Assembly/Box Mounting	F1 ONLY		
Outline Drawing	A-100085LN-856	Connection Diagram	A-EE7308T-LN

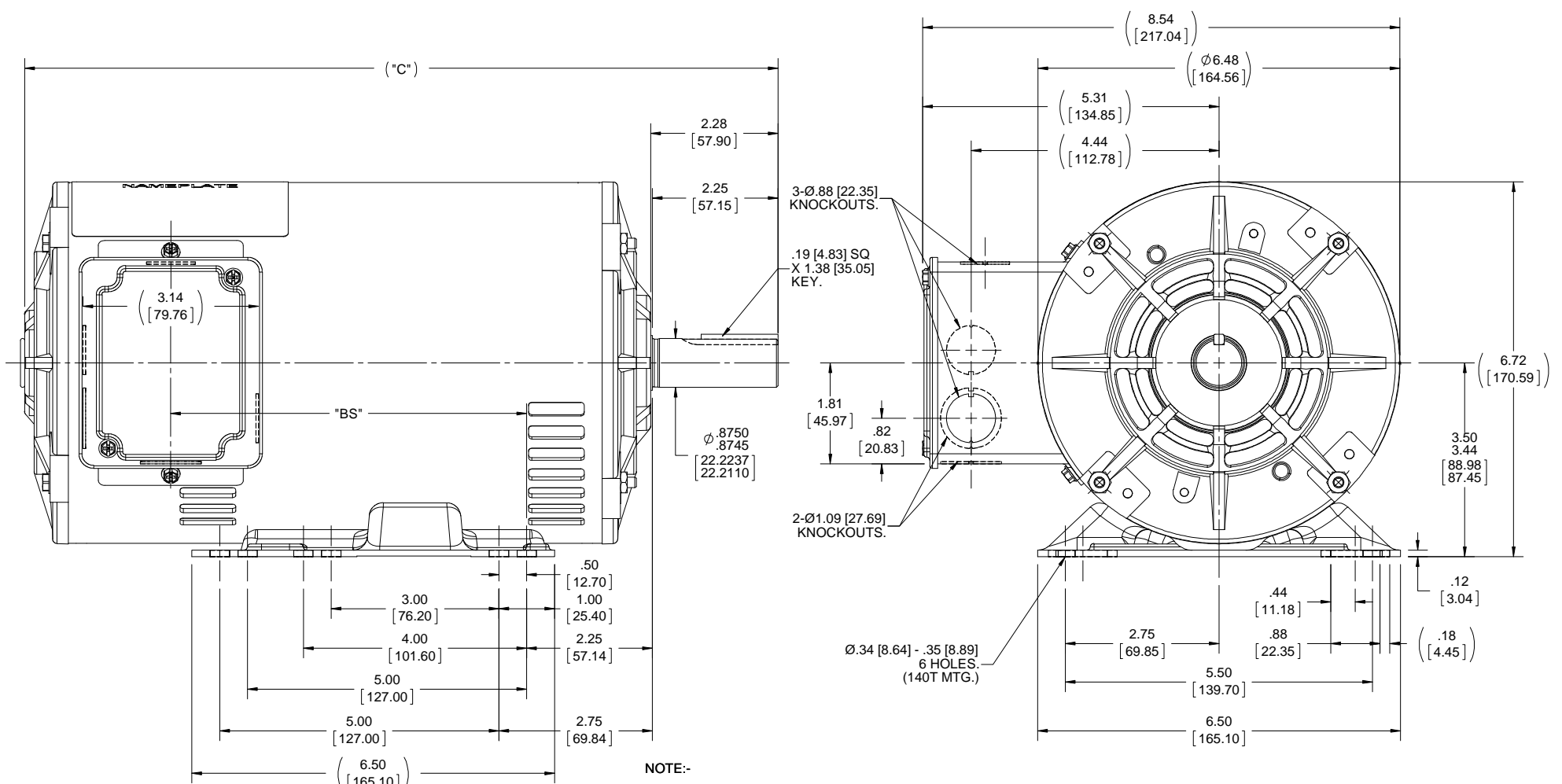
This is an uncontrolled document once printed or downloaded and is subject to change without notice. Date Created: 10/15/2018

B

B

A

A



NOTE:-

- 1) CONDUIT BOX CAN BE ROTATED 180° STEPS.
- 2) NAMEPLATE READ FROM CONDUIT BOX SIDE.

DASH.	"C"	"BS/140T"
706	10.99 [279.15]	3.88 [98.55]
756	11.49 [291.85]	4.38 [111.25]
806	11.99 [304.55]	4.88 [123.95]
856	12.49 [317.25]	5.38 [136.65]
906	12.99 [329.95]	5.88 [149.35]
956	13.49 [342.65]	6.38 [162.05]

DRAWING REVISION C	REVISION BY A SUPPANAVAR	DATE 02/28/2018
ECO ECO-0136109	APPROVED BY PST	DATE 05/18/2018
ECO DESCRIPTION OUTLINE CONVERSION PROJECT		
<small>COPYRIGHT REGAL BELOIT AMERICA, INC. ALL RIGHTS RESERVED. PROPRIETARY AND CONFIDENTIAL INFORMATION - THIS DOCUMENT IS THE PROPERTY OF REGAL BELOIT AMERICA, INC. (OWNER) AND CONTAINS OWNER'S PROPRIETARY INFORMATION. ANY PERSON, CORPORATION OR OTHER FIRM RECEIVING IT IS DEEMED, BY RECEIVING IT, TO AGREE THAT IT, AND/OR ANY PART OF IT, SHALL NOT BE DISCLOSED TO ANY PERSON, CORPORATION OR OTHER ENTITY, DUPLICATED, AND/OR USED, EXCEPT AS EXPRESSLY APPROVED IN WRITING IN ADVANCE BY OWNER. THIS DOCUMENT SHALL BE RETURNED TO OWNER UPON REQUEST. IT MAY BE SUBJECT TO CERTAIN RESTRICTIONS UNDER APPLICABLE EXPORT CONTROL LAWS AND REGULATIONS.</small>		

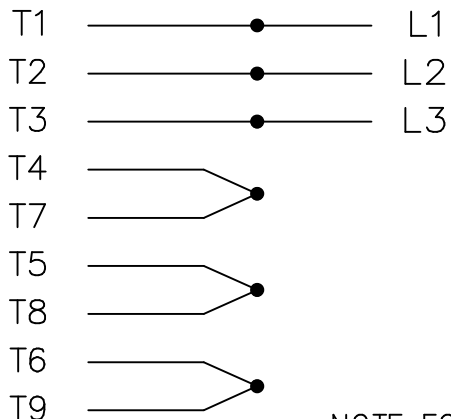
TOLERANCES UNLESS OTHERWISE SPECIFIED:		
DEC.	INCH	mm
.X	+0.1	[+2.5]
.XX	+0.03	[+0.76]
.XXX	+0.005	[+0.127]
.XXXX	+0.0005	[+0.0127]
REMOVE BURRS & BREAK SHARP EDGES: .003/.015 [0.076/.381] X 45°		
CORNER FILLETS: R.02 [51]		
MACHINED SURFACES: 200 INCH 5.1 mm		
mm SHOWN IN [BRACKETS]		

DRAWN BY BLR	DATE 06-07-1999
APPROVED BY	DATE
REFERENCE 100085LN	THIRD ANGLE PROJECTION

Regal Beloit America, Inc.	
DESCRIPTION OUTLINE 140T & 56HZ - DR.PR.	
MATERIAL	PROCESS/FINISH
SIZE B	DRAWING NUMBER 100085LN
SHEET 1 OF 1	

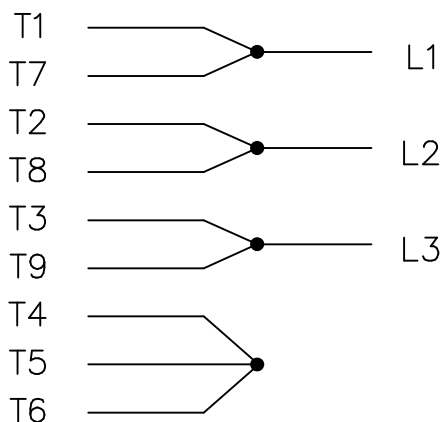
THREE PHASE
DUAL VOLTAGE MOTOR

HIGH VOLTAGE

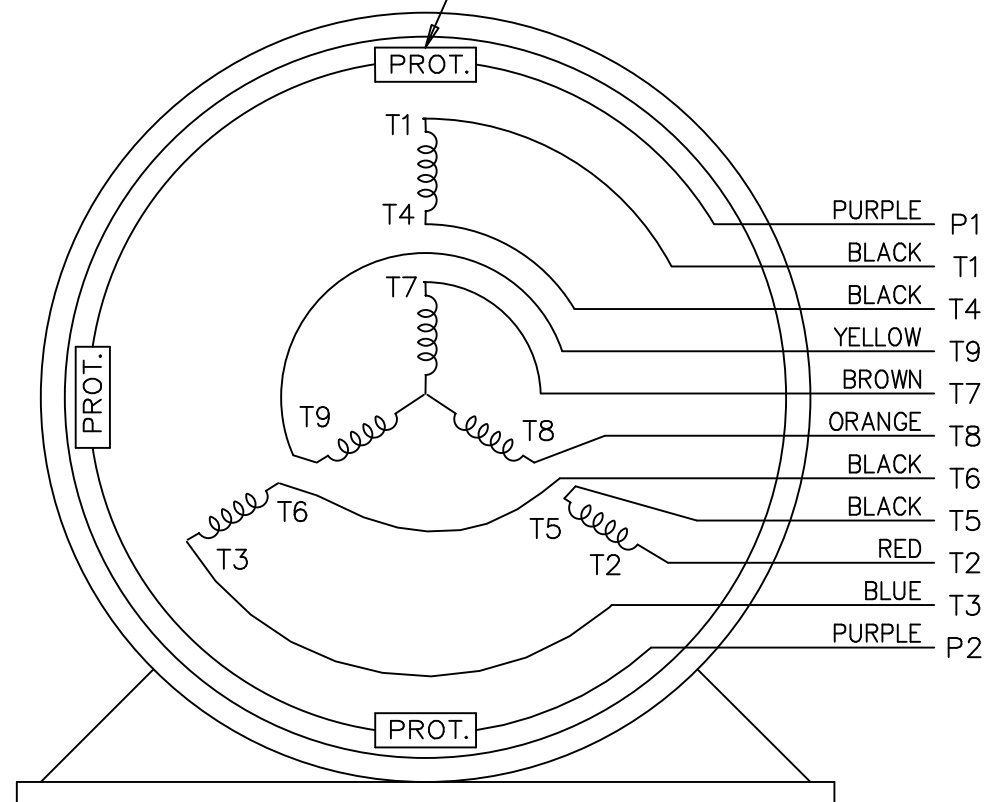


NOTE FOR FACTORY USE ONLY:
TO SURGE TEST FOR COMMON CONNECT:
HIGH VOLT: CONNECT P1 TO T1
THEN P2 TO L1
LOW VOLT: CONNECT P1 TO T1 & T7,
THEN P2 TO L1


LOW VOLTAGE



THREMO-PROTECTORS
CONNECTED IN SERIES.



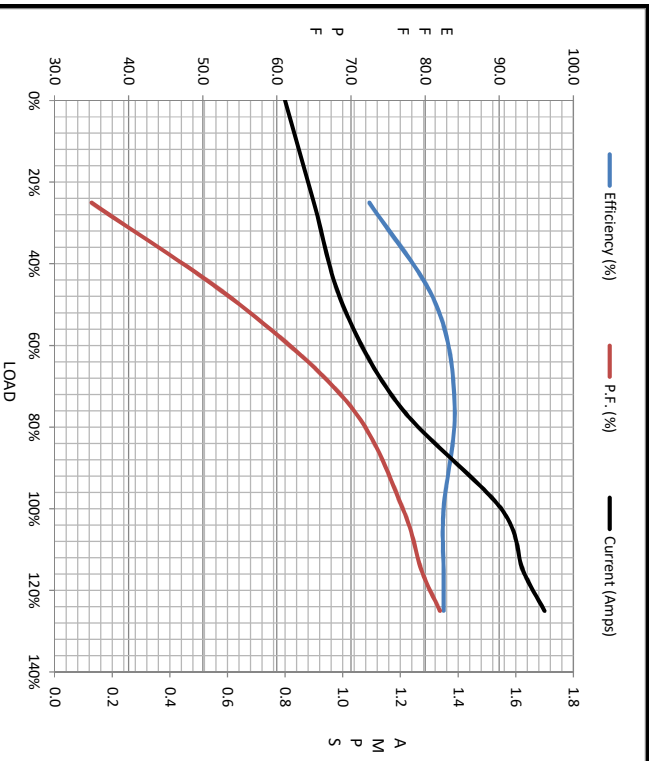
VIEW OF TERMINAL END

				TOLERANCES UNLESS SPECIFIED			DRAWN BJK 07-16-2002		
				DEC.	INCHES		CHK DRS 07-18-2002		
				.X	±.1		APPD GK 07-18-2002		
				.XX	±.02	TITLE CONNECTION DIAGRAM 3 PHASE - DUAL VOLTAGE MOTOR	SCALE 1=1		
2	ADDED COLORS TO "T & P" LEADS	CN 40494	MSG 08-08-2006	ML	.XXX ±.005		MAT'L. FINISH	REF	
1	NEW DRAWING		BJK 07-18-2002	DRS	.XXXX ±.0005	CAD FILE ee7308t_ln SIZE A		DRAWING NO. EE7308T-LN	
NO.	REVISION		BY & DATE	CHK	ANG ±7'30"		PAGE OF		
THIS DRAWING IN DESIGN AND DETAIL IS OUR PROPERTY AND MUST NOT BE USED EXCEPT IN CONNECTION WITH OUR WORK ALL RIGHTS OF DESIGN AND INVENTION ARE RESERVED THIS IS AN ELECTRONICALLY GENERATED DOCUMENT - DO NOT SCALE THIS PRINT				RFP		REV. 2			
				DIST LB					



Motor Load Data									
Load	0%	25%	50%	75%	100%	115%	125%	LR	
Current (Amps)	0.80	0.90	1.00	1.20	1.55	1.63	1.70	13.0	
Torque (ft-lb)	0.00	0.75	1.50	2.20	3.0	3.4	3.8	10.0	
RPM	1800	1785	1770	1750	1725	1,721	1715	0	
Efficiency (%)		72.5	81.5	84.0	82.5	82.5	82.5		
P.F. (%)	0.0	35.0	55.0	70.0	77.0	79.5	82.0	66.5	

Motor Speed Data						Information Block																						
LR	Pull-Up	BD	Rated	Idle		HP	Sync. RPM	Frame	Enclosure	Construction	Voltage	Frequency	Design	LR Code letter	Service Factor	Temp Rise @ FL	Duty	Ambient	Elevation	Rotor/Shaft wkt	Ref Wdg	Sound Pressure @ 1M	VFD Rating	Outline Dwg	Conn. Diag	Additional Specifications:		
0	900	1550	1725	1800		1.0	1800	56	DP	TDR	230/460	60	B	M	1.15	22	CONT	40 °C	1,000 feet	0.11	Z1419 R1	56	dB(A)	CONSTANT 2:1	A-100085LN-856	A-EE7308T-LN		
Speed (RPM)	0	900	1550	1725	1800																							
Current (Amps)	13.0	12.0	8.5	1.55	0.80																							
Torque (ft-lb)	10.0	9.0	13.0	3.0	0.00																							



EQUIV CKT (OHMS / PHASE)	R1	R2	X1	X2	Xm
	9.0250	6.1580	12.9980	11.5510	334.8840

