

PRODUCT INFORMATION PACKET



Model No: 56T17DRS70001A3A

Catalog No: E119879.00

..1/2HP..1725RPM.S56.DP.230/460V.3PH.60HZ.CONT.40C.1.25SF.RESILIENT BASE..AUTOMATIC.....

Open Drip Proof (ODP)



Regal and Leeson are trademarks of Regal Beloit Corporation or one of its affiliated companies.

©2018 Regal Beloit Corporation, All Rights Reserved. MC017097E





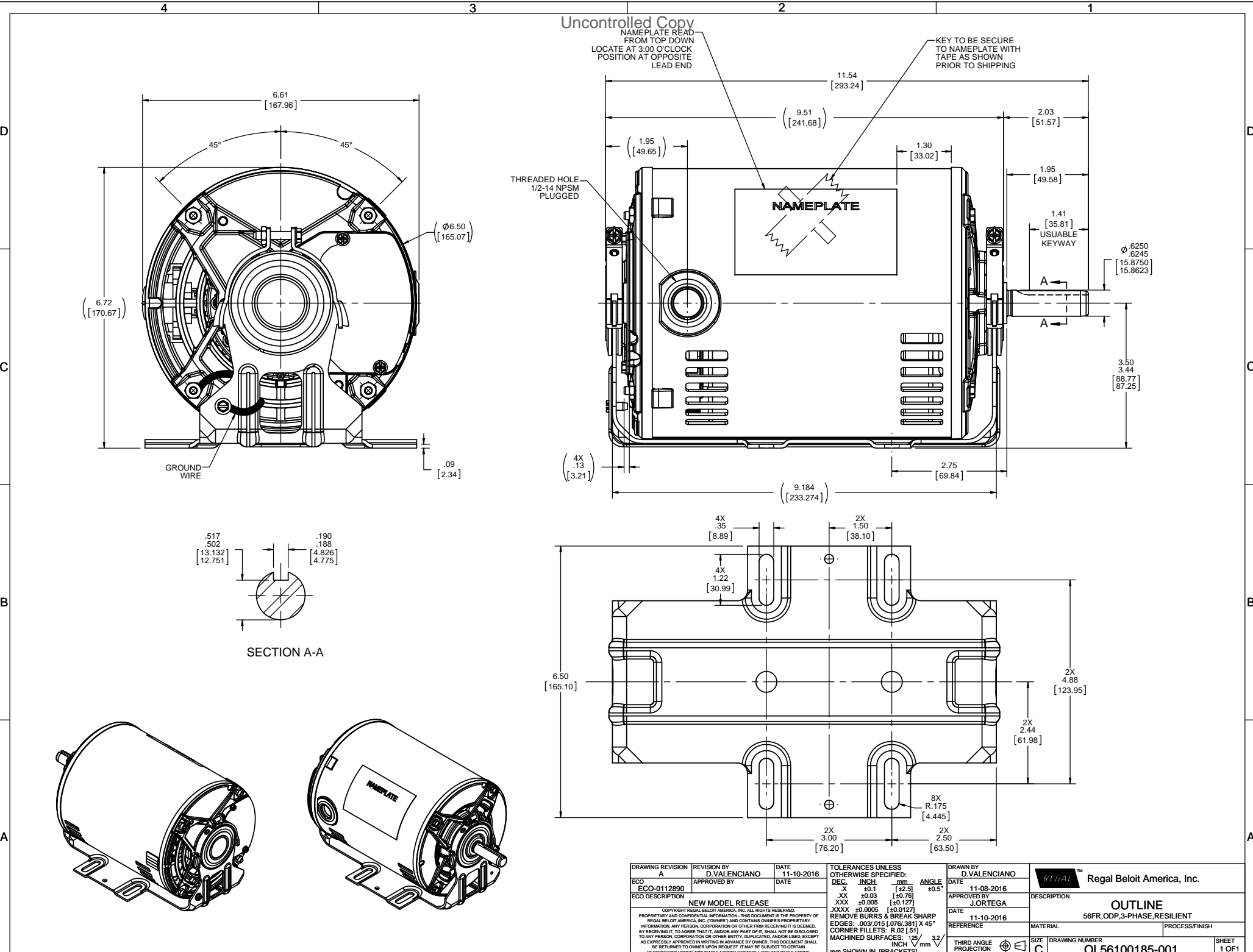
Nameplate Specifications

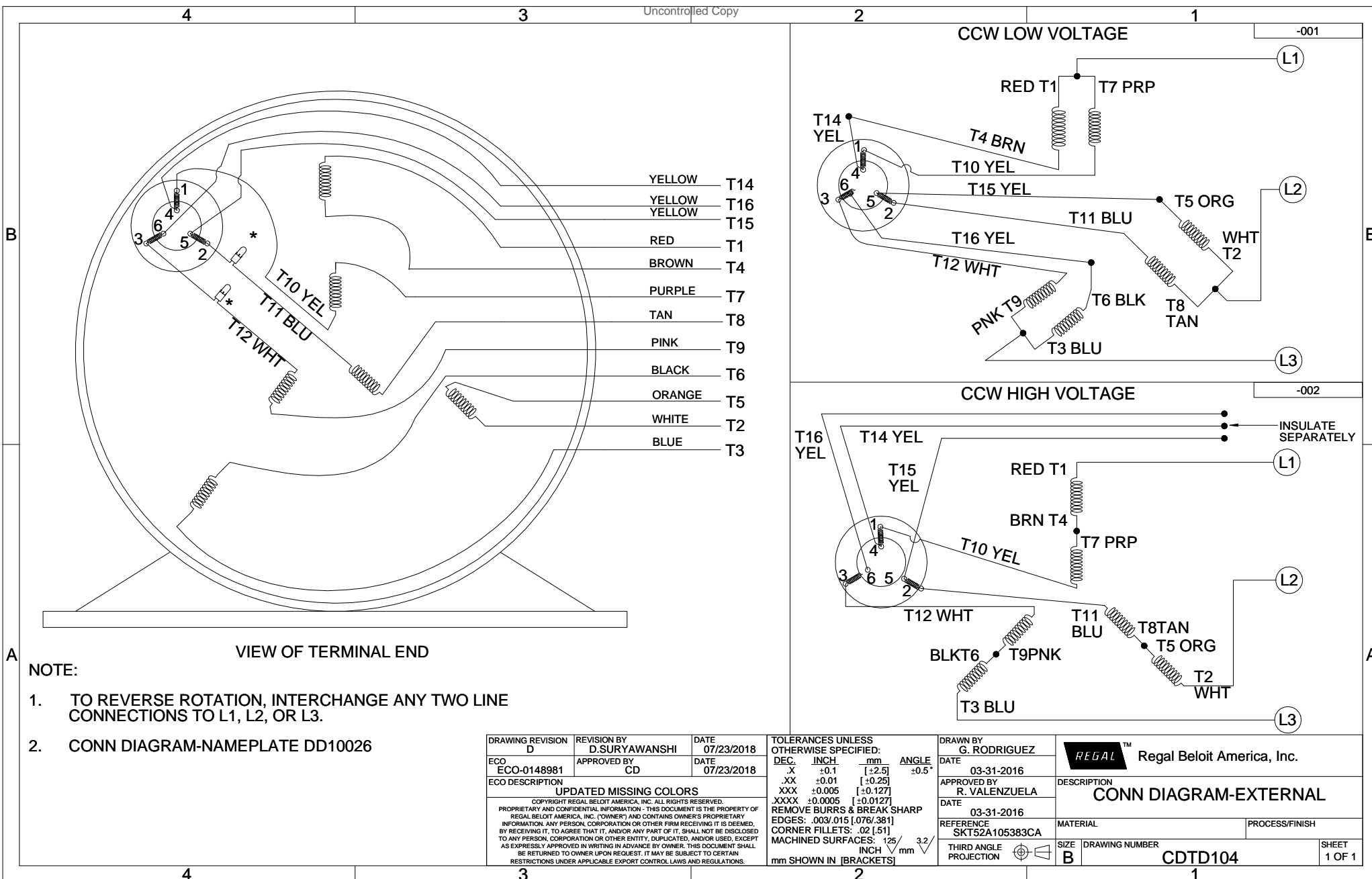
Output HP	0.50 Hp	Output KW	0.37 kW
Frequency	60 Hz	Voltage	208-230/460 V
Current	1.7-1.8/0.90 A	Speed	1725 rpm
Service Factor	1.25	Phase	3
Efficiency	78.2 %	Duty	Continuous
Insulation Class	B	Design Code	B
KVA Code	P	Frame	56
Enclosure	Drip Proof	Overload Protector	Automatic
Ambient Temperature	40 °C	Drive End Bearing Size	6203
Opp Drive End Bearing Size	6203	UL	Recognized
CSA	Y	CE	Y
IP Code	22		

Technical Specifications

Electrical Type	Squirrel Cage Induction Run	Starting Method	Across The Line
Poles	4	Rotation	Reversible
Mounting	Resilient Base	Motor Orientation	HORIZONTAL
Drive End Bearing	BALL	Opp Drive End Bearing	BALL
Frame Material	Rolled Steel	Shaft Type	NEMA 56
Overall Length	11.54 in	Frame Length	7.15 in
Shaft Diameter	0.625 in	Shaft Extension	2.03 in
Assembly/Box Mounting	F1 ONLY		
Outline Drawing	OL56100185-001	Connection Diagram	CDTD104

This is an uncontrolled document once printed or downloaded and is subject to change without notice. Date Created: 10/15/2018





VIEW OF TERMINAL END

- NOTE:
1. TO REVERSE ROTATION, INTERCHANGE ANY TWO LINE CONNECTIONS TO L1, L2, OR L3.
 2. CONN DIAGRAM-NAMEPLATE DD10026

DRAWING REVISION D	REVISION BY D.SURYAWANSHI	DATE 07/23/2018	TOLERANCES UNLESS OTHERWISE SPECIFIED: DEC. INCH mm ANGLE -X ±0.1 [+2.5] ±0.5° .XX ±0.01 [+0.25] .XXX ±0.005 [+0.127] .XXXX ±0.0005 [+0.0127] REMOVE BURRS & BREAK SHARP EDGES: .003/.015 [.076/.381] CORNER FILLETS: .02 [.51] MACHINED SURFACES: 125/3.2 mm SHOWN IN [BRACKETS]	DRAWN BY G. RODRIGUEZ	Regal Beloit America, Inc.
ECO ECO-0148981	APPROVED BY CD	DATE 07/23/2018		DATE 03-31-2016	
ECO DESCRIPTION UPDATED MISSING COLORS				APPROVED BY R. VALENZUELA	DESCRIPTION CONN DIAGRAM-EXTERNAL
<small>COPYRIGHT REGAL BELOIT AMERICA, INC. ALL RIGHTS RESERVED. PROPRIETARY AND CONFIDENTIAL INFORMATION - THIS DOCUMENT IS THE PROPERTY OF REGAL BELOIT AMERICA, INC. (OWNER) AND CONTAINS OWNER'S PROPRIETARY INFORMATION. ANY PERSON, CORPORATION OR OTHER FIRM RECEIVING IT IS DEEMED, BY RECEIVING IT, TO AGREE THAT IT, AND/OR ANY PART OF IT, SHALL NOT BE DISCLOSED TO ANY PERSON, CORPORATION OR OTHER ENTITY, DUPLICATED, AND/OR USED, EXCEPT AS EXPRESSLY APPROVED IN WRITING IN ADVANCE BY OWNER. THIS DOCUMENT SHALL BE RETURNED TO OWNER UPON REQUEST. IT MAY BE SUBJECT TO CERTAIN RESTRICTIONS UNDER APPLICABLE EXPORT CONTROL LAWS AND REGULATIONS.</small>				REFERENCE SKT52A105383CA	MATERIAL
				THIRD ANGLE PROJECTION	PROCESS/FINISH
				SIZE B	DRAWING NUMBER CDTD104
					SHEET 1 OF 1