

PRODUCT INFORMATION PACKET



Model No: C6T17DK40A

Catalog No: E119353.00

E119353.00..1/2HP..1725RPM.56C.DP.230/460V.3PH.60HZ.CONT.40C.1.25SF.RIGID C
FACE.C6T17DK40.....GENERAL PURPOSE.T-STAT.....

Open Drip Proof (ODP)



Regal and Leeson are trademarks of Regal Beloit Corporation or one of its affiliated companies.

©2018 Regal Beloit Corporation, All Rights Reserved. MC017097E





Nameplate Specifications

Output HP	0.50 Hp	Output KW	0.37 kW
Frequency	60 Hz	Voltage	230/460 V
Current	2.0/1.0 A	Speed	1725 rpm
Service Factor	1.25	Phase	3
Efficiency	78.2 %	Duty	Continuous
Insulation Class	F	Design Code	B
KVA Code	N	Frame	56C
Enclosure	Drip Proof	Overload Protector	No
Ambient Temperature	40 °C	Drive End Bearing Size	6203
Opp Drive End Bearing Size	6203	UL	Recognized
CSA	Y	CE	Y
IP Code	22		

Technical Specifications

Electrical Type	Squirrel Cage Inverter Rated	Starting Method	Line Or Inverter
Poles	4	Rotation	Reversible
Mounting	Rigid base	Motor Orientation	HORIZONTAL
Drive End Bearing	BALL	Opp Drive End Bearing	BALL
Frame Material	Rolled Steel	Shaft Type	NEMA 56
Overall Length	9.87 in	Frame Length	5.00 in
Shaft Diameter	0.625 in	Shaft Extension	1.88 in
Assembly/Box Mounting	F1 ONLY		
Outline Drawing	607-0356-500	Connection Diagram	005010.20

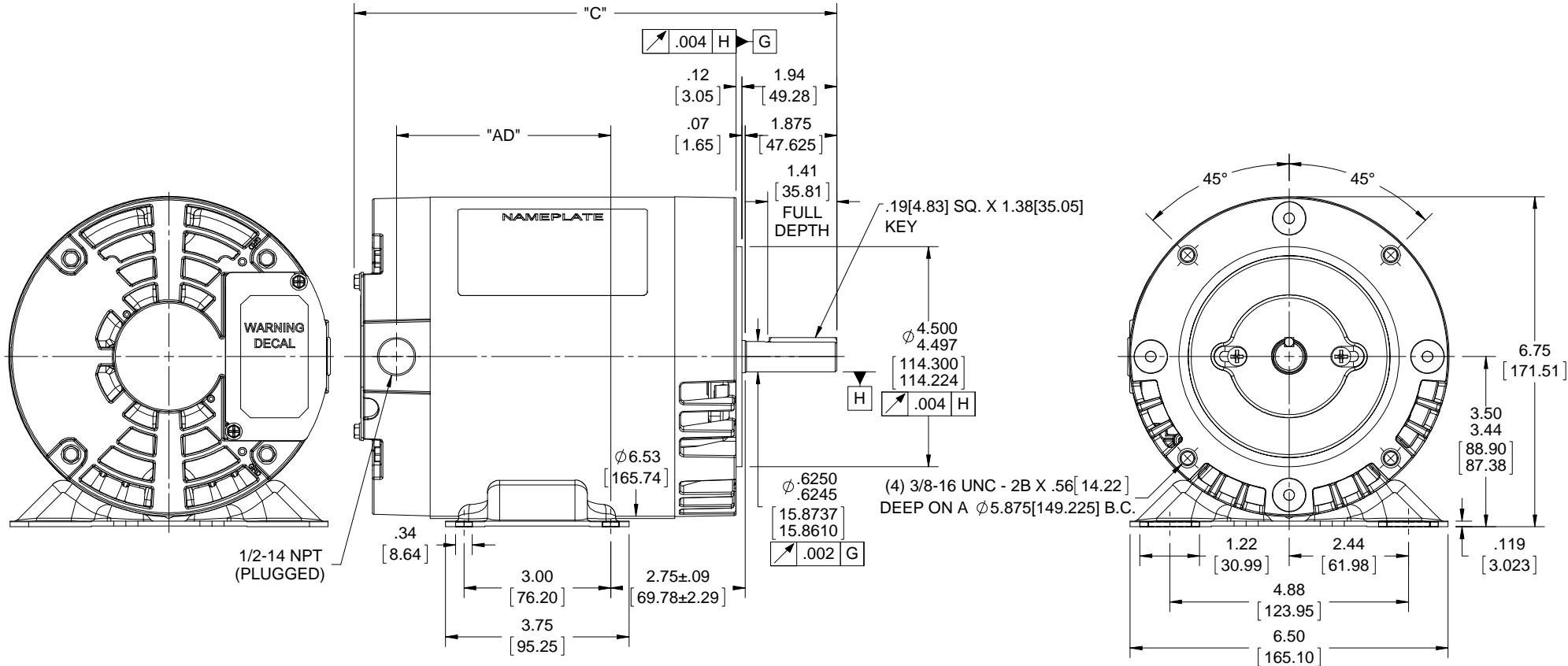
This is an uncontrolled document once printed or downloaded and is subject to change without notice. Date Created: 10/15/2018

B

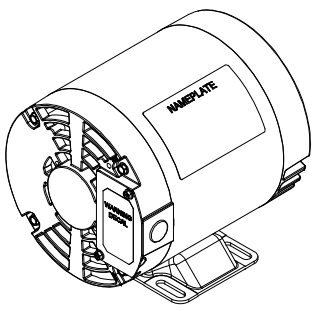
A

B

A



DASH NO.	"C"	"AD"
500	9.87 [250.70]	4.38 [111.25]
600	10.87 [276.10]	5.38 [136.65]



DRAWING REVISION A		REVISION BY	DATE	TOLERANCES UNLESS OTHERWISE SPECIFIED:		DRAWN BY T. AHER	Regal Beloit America, Inc.
ECO ECO-0136357	APPROVED BY	DATE	DEC.	INCH	mm	DATE 02/21/2018	
ECO DESCRIPTION			ANGLE ±7-30°			APPROVED BY PK	DESCRIPTION
OUTLINE CONVERSION PROJECT			REMOVE BURRS & BREAK SHARP			DATE 05/23/2018	OUTLINE
<small>COPYRIGHT REGAL BELOIT AMERICA, INC. ALL RIGHTS RESERVED. PROPRIETARY AND CONFIDENTIAL INFORMATION - THIS DOCUMENT IS THE PROPERTY OF REGAL BELOIT AMERICA, INC. ("OWNER") AND CONTAINS OWNER'S PROPRIETARY INFORMATION. ANY PERSON, CORPORATION OR OTHER FIRM RECEIVING IT IS DEEMED, BY RECEIVING IT, TO AGREE THAT IT, AND/OR ANY PART OF IT, SHALL NOT BE DISCLOSED TO ANY PERSON, CORPORATION OR OTHER ENTITY, DUPLICATED, AND/OR USED, EXCEPT AS EXPRESSLY APPROVED IN WRITING IN ADVANCE BY OWNER. THIS DOCUMENT SHALL BE RETURNED TO OWNER UPON REQUEST. IT MAY BE SUBJECT TO CERTAIN RESTRICTIONS UNDER APPLICABLE EXPORT CONTROL LAWS AND REGULATIONS.</small>			EDGES: .003/.015 [0.076/.381] X 45°			REFERENCE 607-0193	56C FR. DRIP PROOF - RIGID "C"
			CORNER FILLETS: R.02 [51]			MATERIAL	PROCESS/FINISH
			MACHINED SURFACES: 200 INCH / 5.1 mm SHOWN IN [BRACKETS]			THIRD ANGLE PROJECTION	MATERIAL
						SIZE B	DRAWING NUMBER
							607-0356
							SHEET 1 OF 1

VIEW FROM OUTSIDE OF MOTOR AT SWITCH END. Uncontrolled Copy



LINE LEADS



VOLTAGE	L1	L2	L3	JOIN & INSULATE
HIGH	T1	T2	T3	(T4,T7) (T5,T8) (T6,T9)
LOW	T1,T7	T2,T8	T3,T9	T4,T5,T6

DRAWING REVISION **G** REVISION BY **MVG** DATE **04/05/2017**

ECO **ECO-0121253** APPROVED BY **SM** DATE **04/05/2017**

ECO DESCRIPTION
ADDED P1 & P2 FOR TSTAT

COPYRIGHT REGAL BELOIT AMERICA, INC. ALL RIGHTS RESERVED.
PROPRIETARY AND CONFIDENTIAL INFORMATION - THIS DOCUMENT IS THE PROPERTY OF
REGAL BELOIT AMERICA, INC. ("OWNER") AND CONTAINS OWNER'S PROPRIETARY
INFORMATION. ANY PERSON, CORPORATION OR OTHER FIRM RECEIVING IT IS DEEMED,
BY RECEIVING IT, TO AGREE THAT IT, AND/OR ANY PART OF IT, SHALL NOT BE DISCLOSED
TO ANY PERSON, CORPORATION OR OTHER ENTITY, DUPLICATED, AND/OR USED, EXCEPT
AS EXPRESSLY APPROVED IN WRITING IN ADVANCE BY OWNER. THIS DOCUMENT SHALL
BE RETURNED TO OWNER UPON REQUEST. IT MAY BE SUBJECT TO CERTAIN
RESTRICTIONS UNDER APPLICABLE EXPORT CONTROL LAWS AND REGULATIONS.

TOLERANCES UNLESS OTHERWISE SPECIFIED:

DEC.	INCH	mm	ANGLE
.X	±0.1	[±2.5]	±0.5°
.XX	±0.01	[±0.25]	
.XXX	±0.005	[±0.127]	
.XXXX	±0.0005	[±0.0127]	

REMOVE BURRS & BREAK SHARP EDGES: .003/.015 [.076/.381] X 45°
CORNER FILLETS: R.02 [.51]
MACHINED SURFACES: 125/3.2 INCH/mm
mm SHOWN IN [BRACKETS]

DRAWN BY **DBT 12/16/97**

DATE

APPROVED BY **KH 12/17/97**

DATE

REFERENCE
THIRD ANGLE PROJECTION

REGAL™ Regal Beloit America, Inc.

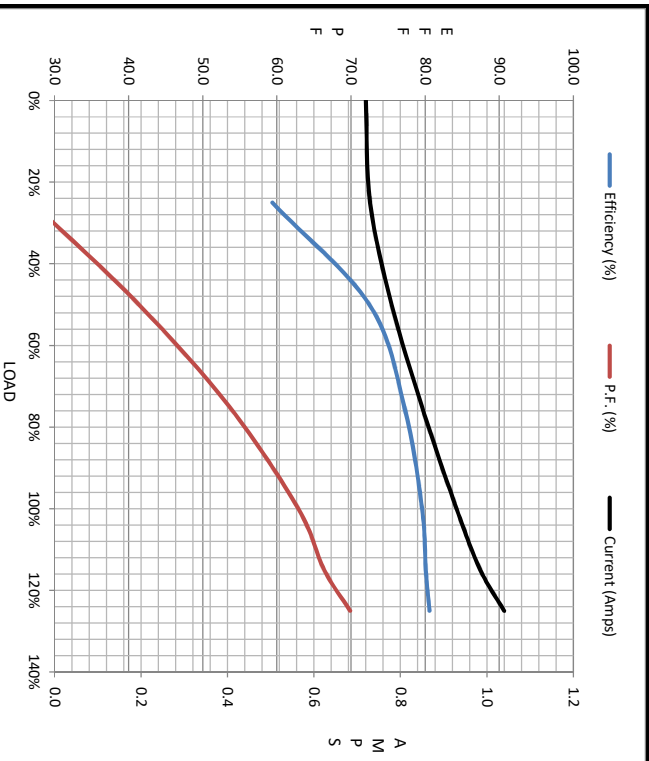
DESCRIPTION
CONN DIAGRAM-EXTERNAL
3 PHASE WITH PROTECTOR

MATERIAL DECAL - 004014 (TSTAT) - 080582	PROCESS/FINISH STOCK
SIZE A	DRAWING NUMBER 00501020
SHEET 1 OF 1	



Motor Load Data									
Load	0%	25%	50%	75%	100%	115%	125%	LR	
Current (Amps)	0.72	0.73	0.78	0.85	0.93	0.99	1.04	6.7	
Torque (ft-lb)	0.00	94.1	188	285	382	6,902	481	1,333	
RPM	1800	1790	1780	1770	1759	1,754	1746	0	
Efficiency (%)		59.4	72.5	77.2	79.6	80.1	80.6		
P.F. (%)	13.4	27.0	41.4	53.6	62.9	66.4	69.9	0.0	

Motor Speed Data						Information Block																										
LR	Pull-Up	BD	Rated	Idle		HP	Sync. RPM	Frame	Enclosure	Construction	Voltage	Frequency	Design	LR Code letter	Service Factor	Temp Rise @ FL	Duty	Ambient	Elevation	Rotor/Shaft wk ²	Ref Wdg	Sound Pressure @ 1M	VFD Rating	Outline Dwg	Conn. Diag	Additional Specifications:	R1	R2	X1	X2	Xm	
0	142	1226	1759	1800		0.5	1800	56	DP	NA	230/460#190/380	60	B	N	1.15	21	CONT	40 °C	1,000	0.05	LB-Fc	0	dbA	CONSTANT 10:1	607-0193-500	005010.20		0.0000	0.0000	0.0000	0.0000	0.0000



EQUIV CKT (OHMS / PHASE)			
R1	R2	X1	Xm
0.0000	0.0000	0.0000	0.0000

