

# PRODUCT INFORMATION PACKET



Model No: C6T17DC97B

Catalog No: E119352.00

E119352.00..1/2HP..172RPM.56C.DP.230/460V.3PH.60HZ.CONT.40C.1.25SF.C  
FACE.C6T17DC97.....GENERAL PURPOSE.T-STAT.....

Open Drip Proof (ODP)



Regal and Leeson are trademarks of Regal Beloit Corporation or one of its affiliated companies.

©2018 Regal Beloit Corporation, All Rights Reserved. MC017097E





### Nameplate Specifications

|                            |                   |                        |                   |
|----------------------------|-------------------|------------------------|-------------------|
| Output HP                  | <b>0.50 Hp</b>    | Output KW              | <b>0.37 kW</b>    |
| Frequency                  | <b>60 Hz</b>      | Voltage                | <b>230/460 V</b>  |
| Current                    | <b>2.0/1.0 A</b>  | Speed                  | <b>1725 rpm</b>   |
| Service Factor             | <b>1.25</b>       | Phase                  | <b>3</b>          |
| Efficiency                 | <b>78.2 %</b>     | Duty                   | <b>Continuous</b> |
| Insulation Class           | <b>F</b>          | Design Code            | <b>B</b>          |
| KVA Code                   | <b>N</b>          | Frame                  | <b>56C</b>        |
| Enclosure                  | <b>Drip Proof</b> | Overload Protector     | <b>No</b>         |
| Ambient Temperature        | <b>40 °C</b>      | Drive End Bearing Size | <b>6203</b>       |
| Opp Drive End Bearing Size | <b>6203</b>       | UL                     | <b>Recognized</b> |
| CSA                        | <b>Y</b>          | CE                     | <b>Y</b>          |
| IP Code                    | <b>22</b>         |                        |                   |

### Technical Specifications

|                       |                                     |                       |                         |
|-----------------------|-------------------------------------|-----------------------|-------------------------|
| Electrical Type       | <b>Squirrel Cage Inverter Rated</b> | Starting Method       | <b>Line Or Inverter</b> |
| Poles                 | <b>4</b>                            | Rotation              | <b>Reversible</b>       |
| Mounting              | <b>Round</b>                        | Motor Orientation     | <b>HORIZONTAL</b>       |
| Drive End Bearing     | <b>BALL</b>                         | Opp Drive End Bearing | <b>BALL</b>             |
| Frame Material        | <b>Rolled Steel</b>                 | Shaft Type            | <b>NEMA 56</b>          |
| Overall Length        | <b>9.87 in</b>                      | Frame Length          | <b>5.00 in</b>          |
| Shaft Diameter        | <b>0.625 in</b>                     | Shaft Extension       | <b>1.88 in</b>          |
| Assembly/Box Mounting | <b>F1 ONLY</b>                      |                       |                         |
| Outline Drawing       | <b>607-0329-500</b>                 | Connection Diagram    | <b>005010.20</b>        |

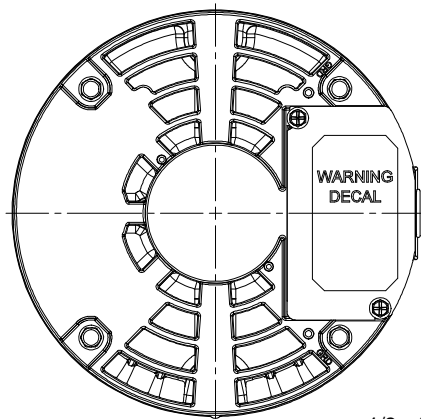
**This is an uncontrolled document once printed or downloaded and is subject to change without notice. Date Created: 10/15/2018**

B

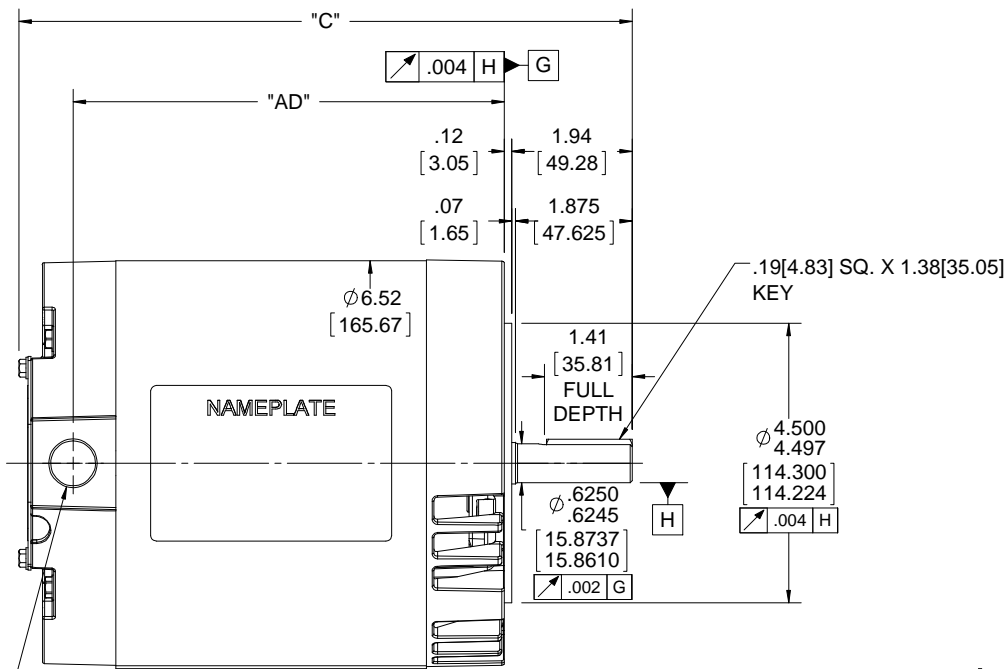
B

A

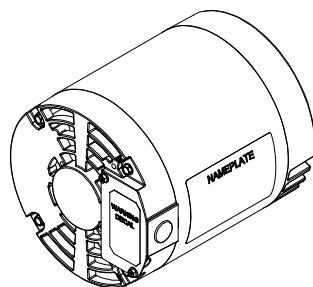
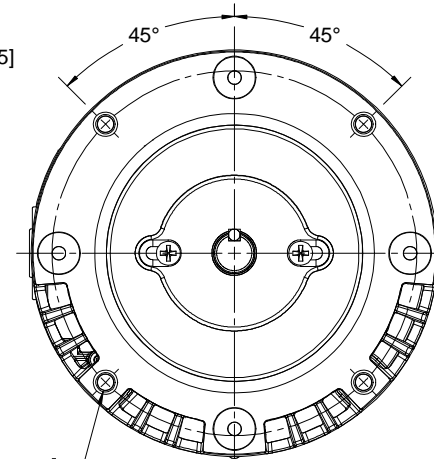
A



1/2 - 14 NPT  
(PLUGGED)



(4) 3/8-16 UNC - 2B X .56[14.22]  
DEEP ON A Ø5.875[149.225] B.C.



| DASH NO. | "C"            | "AD"          |
|----------|----------------|---------------|
| 500      | 9.87 [250.70]  | 6.94 [176.28] |
| 600      | 10.87 [276.10] | 7.94 [201.68] |

|   |  |                         |      |  |  |                        |                                  |
|---|--|-------------------------|------|--|--|------------------------|----------------------------------|
| DRAWING REVISION A  |  | REVISION BY APPROVED BY | DATE | TOLERANCES UNLESS OTHERWISE SPECIFIED: |  | DRAWN BY T. AHER       | Regal Beloit America, Inc.       |
| ECO ECO-0140840   |  |                         | DATE | DEC. .X ±0.1 [±2.5]                    | ANGLE ±7-30°   | DATE 12/19/2017        |                                  |
| ECO DESCRIPTION OUTLINE CONVERSION PROJECT  |  |                         |      | .XX ±0.03 [±0.76]                      | .XXX ±0.005 [±0.127]   | APPROVED BY PK         | DESCRIPTION OUTLINE              |
| <small>COPYRIGHT REGAL BELOIT AMERICA, INC. ALL RIGHTS RESERVED. PROPRIETARY AND CONFIDENTIAL INFORMATION - THIS DOCUMENT IS THE PROPERTY OF REGAL BELOIT AMERICA, INC. (OWNER) AND CONTAINS OWNER'S PROPRIETARY INFORMATION. ANY PERSON, CORPORATION OR OTHER FIRM RECEIVING IT IS DEEMED, BY RECEIVING IT, TO AGREE THAT IT, AND/OR ANY PART OF IT, SHALL NOT BE DISCLOSED TO ANY PERSON, CORPORATION OR OTHER ENTITY, DUPLICATED, AND/OR USED, EXCEPT AS EXPRESSLY APPROVED IN WRITING IN ADVANCE BY OWNER. THIS DOCUMENT SHALL BE RETURNED TO OWNER UPON REQUEST. IT MAY BE SUBJECT TO CERTAIN RESTRICTIONS UNDER APPLICABLE EXPORT CONTROL LAWS AND REGULATIONS.</small> |  |                         |      | .XXX ±0.005 [±0.127]                   | REMOVE BURRS & BREAK SHARP EDGES: .003/.015 [0.076/.381] X 45° CORNER FILLETS: R.02 [51] | DATE 03/08/2018        | 56C FRAME, DRIP PROOF - "C" FACE |
|   |  |                         |      | MACHINED SURFACES: 200 INCH/mm 5.1     |  | REFERENCE 607-0192     | MATERIAL                         |
|   |  |                         |      | mm SHOWN IN [BRACKETS]                 |  | THIRD ANGLE PROJECTION | PROCESS/FINISH                   |
|   |  |                         |      |  |  | SIZE B                 | DRAWING NUMBER 607-0329          |
|   |  |                         |      |  |  |                        | SHEET 1 OF 1                     |

VIEW FROM OUTSIDE OF MOTOR AT SWITCH END. Uncontrolled Copy



**LINE LEADS**



| VOLTAGE | L1    | L2    | L3    | JOIN & INSULATE               |
|---------|-------|-------|-------|-------------------------------|
| HIGH    | T1    | T2    | T3    | (T4,T7)<br>(T5,T8)<br>(T6,T9) |
| LOW     | T1,T7 | T2,T8 | T3,T9 | T4,T5,T6                      |

DRAWING REVISION **G** REVISION BY **MVG** DATE **04/05/2017**

ECO **ECO-0121253** APPROVED BY **SM** DATE **04/05/2017**

ECO DESCRIPTION  
**ADDED P1 & P2 FOR TSTAT**

COPYRIGHT REGAL BELOIT AMERICA, INC. ALL RIGHTS RESERVED.  
PROPRIETARY AND CONFIDENTIAL INFORMATION - THIS DOCUMENT IS THE PROPERTY OF  
REGAL BELOIT AMERICA, INC. ("OWNER") AND CONTAINS OWNER'S PROPRIETARY  
INFORMATION. ANY PERSON, CORPORATION OR OTHER FIRM RECEIVING IT IS DEEMED,  
BY RECEIVING IT, TO AGREE THAT IT, AND/OR ANY PART OF IT, SHALL NOT BE DISCLOSED  
TO ANY PERSON, CORPORATION OR OTHER ENTITY, DUPLICATED, AND/OR USED, EXCEPT  
AS EXPRESSLY APPROVED IN WRITING IN ADVANCE BY OWNER. THIS DOCUMENT SHALL  
BE RETURNED TO OWNER UPON REQUEST. IT MAY BE SUBJECT TO CERTAIN  
RESTRICTIONS UNDER APPLICABLE EXPORT CONTROL LAWS AND REGULATIONS.

TOLERANCES UNLESS OTHERWISE SPECIFIED:

| DEC.  | INCH    | mm        | ANGLE |
|-------|---------|-----------|-------|
| .X    | ±0.1    | [±2.5]    | ±0.5° |
| .XX   | ±0.01   | [±0.25]   |       |
| .XXX  | ±0.005  | [±0.127]  |       |
| .XXXX | ±0.0005 | [±0.0127] |       |

REMOVE BURRS & BREAK SHARP  
EDGES: .003/.015 [.076/.381] X 45°  
CORNER FILLETS: R.02 [.51]  
MACHINED SURFACES: 125/3.2  
INCH/mm

mm SHOWN IN [BRACKETS]

DRAWN BY **DBT 12/16/97**

DATE

APPROVED BY **KH 12/17/97**

DATE

REFERENCE

THIRD ANGLE PROJECTION

**REGAL**™ Regal Beloit America, Inc.

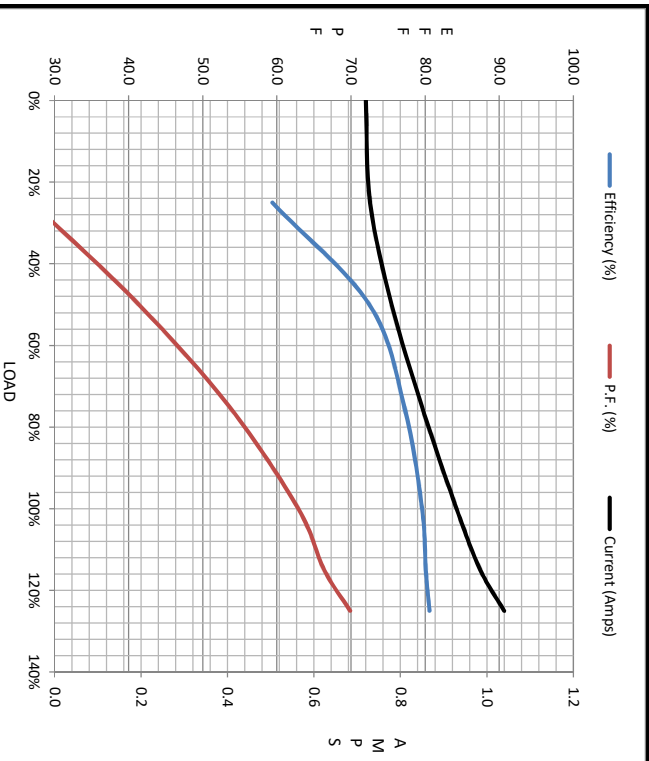
DESCRIPTION  
**CONN DIAGRAM-EXTERNAL**  
3 PHASE WITH PROTECTOR

|   |                                   |
|---|-----------------------------------|
| MATERIAL<br>DECAL - 004014 (TSTAT) - 080582 | PROCESS/FINISH<br>STOCK           |
| SIZE<br><b>A</b>                            | DRAWING NUMBER<br><b>00501020</b> |
| SHEET<br><b>1 OF 1</b>                      |                                   |



| Motor Load Data |      |      |      |      |      |       |
|-----------------|------|------|------|------|------|-------|
| Load            | 0%   | 25%  | 50%  | 75%  | 100% | LR    |
| Current (Amps)  | 0.72 | 0.73 | 0.78 | 0.85 | 0.93 | 6.7   |
| Torque (ft-lb)  | 0.00 | 94.1 | 188  | 285  | 382  | 1,333 |
| RPM             | 1800 | 1790 | 1780 | 1770 | 1759 | 0     |
| Efficiency (%)  |      | 59.4 | 72.5 | 77.2 | 79.6 | 80.1  |
| P.F. (%)        | 13.4 | 27.0 | 41.4 | 53.6 | 62.9 | 66.4  |

| Motor Speed Data |       |         |       |       |      | Information Block |           |       |           |              |                 |           |        |                |                |                |      |         |           |                             |            |                     |               |              |            |                            |        |        |        |        |        |  |
|------------------|-------|---------|-------|-------|------|-------------------|-----------|-------|-----------|--------------|-----------------|-----------|--------|----------------|----------------|----------------|------|---------|-----------|-----------------------------|------------|---------------------|---------------|--------------|------------|----------------------------|--------|--------|--------|--------|--------|--|
|                  | LR    | Pull-Up | BD    | Rated | Idle | HP                | Sync. RPM | Frame | Enclosure | Construction | Voltage         | Frequency | Design | LR Code letter | Service Factor | Temp Rise @ FL | Duty | Ambient | Elevation | Rotor/Shaft wk <sup>2</sup> | Ref Wdg    | Sound Pressure @ 1M | VFD Rating    | Outline Dwg  | Conn. Diag | Additional Specifications: | R1     | R2     | X1     | X2     | Xm     |  |
| Speed (RPM)      | 0     | 142     | 1226  | 1759  | 1800 | 0.5               | 1800      | 56    | DP        | NA           | 230/460#190/380 | 60        | B      | N              | 1.15           | 21             | CONT | 40      | 1,000     | 0.05                        | T634467 DR | 0                   | CONSTANT 10:1 | 607-0192-500 | 005010.20  |                            | 0.0000 | 0.0000 | 0.0000 | 0.0000 | 0.0000 |  |
| Current (Amps)   | 6.7   | 6.6     | 4.7   | 0.93  | 0.72 |                   |           |       |           |              |                 |           |        |                |                |                |      |         |           |                             |            |                     |               |              |            |                            |        |        |        |        |        |  |
| Torque (ft-lb)   | 1,333 | 1,348   | 1,751 | 382   | 0.00 |                   |           |       |           |              |                 |           |        |                |                |                |      |         |           |                             |            |                     |               |              |            |                            |        |        |        |        |        |  |



|                          | R1     | R2     | X1     | X2     | Xm     |
|--------------------------|--------|--------|--------|--------|--------|
| EQUIV CKT (OHMS / PHASE) | 0.0000 | 0.0000 | 0.0000 | 0.0000 | 0.0000 |

