

# PRODUCT INFORMATION PACKET



Model No: C6T17DK30B

Catalog No: E116762.00

E116762.00..3/4HP..1725RPM.56C.DP.230/460V.3PH.60HZ.CONT.40C.1.25SF.RIGID C  
FACE.C6T17DK30.....GENERAL PURPOSE.T-STAT.....

Open Drip Proof (ODP)



Regal and Leeson are trademarks of Regal Beloit Corporation or one of its affiliated companies.

©2018 Regal Beloit Corporation, All Rights Reserved. MC017097E



Product Information Packet: Model No: C6T17DK30B, Catalog No:E116762.00  
 E116762.00..3/4HP..1725RPM.56C.DP.230/460V.3PH.60HZ.CONT.40C.1.25SF.RIGID C  
 FACE.C6T17DK30.....GENERAL PURPOSE.T-STAT.....



### Nameplate Specifications

Output HP	0.75 Hp	Output KW	0.56 kW
Frequency	60 Hz	Voltage	230/460 V
Current	2.4/1.2 A	Speed	1725 rpm
Service Factor	1.25	Phase	3
Efficiency	81.5 %	Duty	Continuous
Insulation Class	F	Design Code	B
KVA Code	K	Frame	56C
Enclosure	Drip Proof	Overload Protector	No
Ambient Temperature	40 °C	Drive End Bearing Size	6203
Opp Drive End Bearing Size	6203	UL	Recognized
CSA	Y	CE	Y
IP Code	22		

### Technical Specifications

Electrical Type	Squirrel Cage Inverter Rated	Starting Method	Line Or Inverter
Poles	4	Rotation	Reversible
Mounting	Rigid base	Motor Orientation	HORIZONTAL
Drive End Bearing	BALL	Opp Drive End Bearing	BALL
Frame Material	Rolled Steel	Shaft Type	NEMA 56
Overall Length	10.87 in	Frame Length	6.00 in
Shaft Diameter	0.625 in	Shaft Extension	1.88 in
Assembly/Box Mounting	F1 ONLY		
Outline Drawing	607-0356-600	Connection Diagram	005010.20

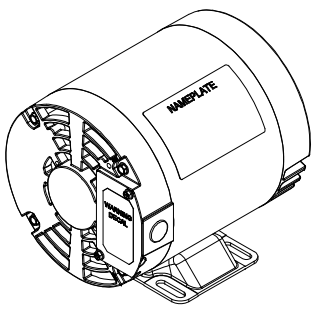
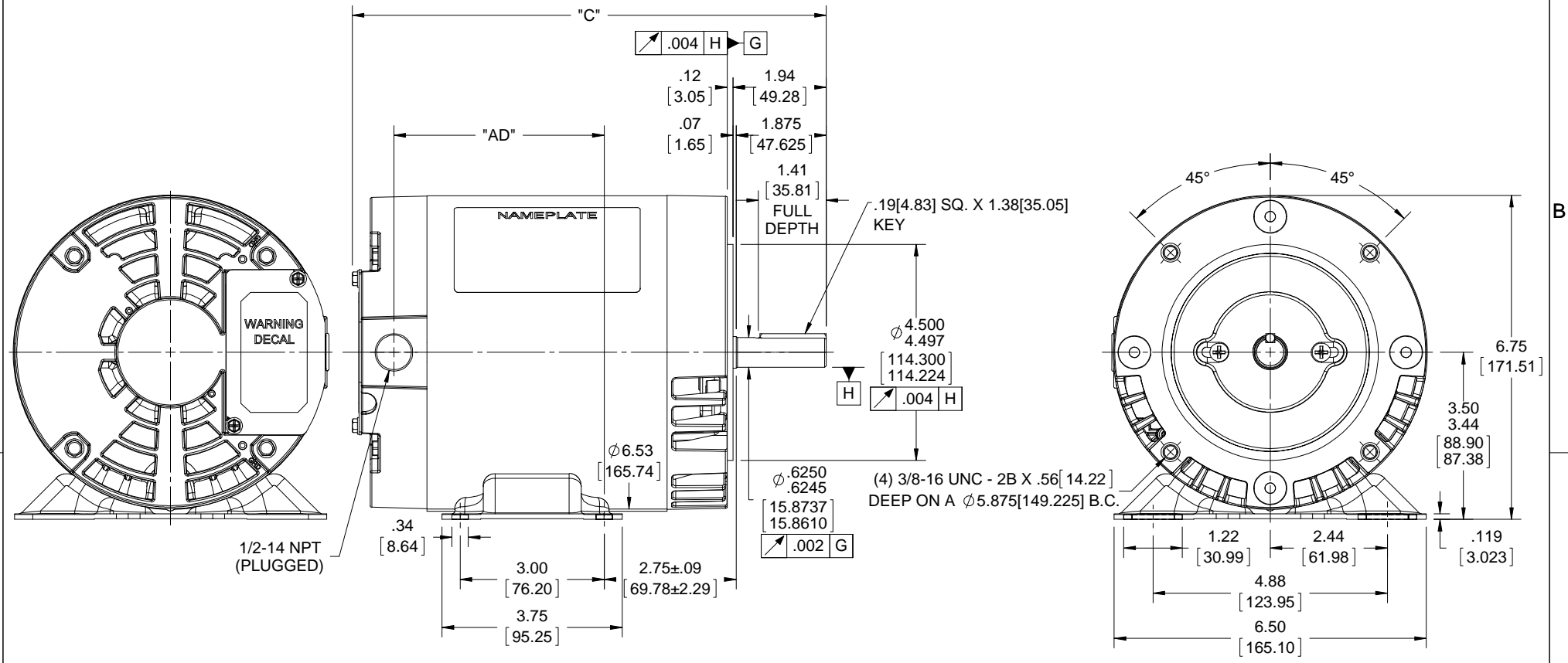
This is an uncontrolled document once printed or downloaded and is subject to change without notice. Date Created: 10/15/2018

B

A

B

A



DASH NO.	"C"	"AD"
500	9.87 [250.70]	4.38 [111.25]
600	10.87 [276.10]	5.38 [136.65]

DRAWING REVISION A		REVISION BY	DATE	TOLERANCES UNLESS OTHERWISE SPECIFIED:		DRAWN BY T. AHER		Regal Beloit America, Inc.
ECO ECO-0136357	APPROVED BY	DATE	DEC.	INCH	mm	ANGLE	DATE 02/21/2018	
ECO DESCRIPTION				.X	±0.1	[±2.5]	±7°-30"	DESCRIPTION <b>OUTLINE</b> 56C FR. DRIP PROOF - RIGID "C"
OUTLINE CONVERSION PROJECT <small>COPYRIGHT REGAL BELOIT AMERICA, INC. ALL RIGHTS RESERVED. PROPRIETARY AND CONFIDENTIAL INFORMATION - THIS DOCUMENT IS THE PROPERTY OF REGAL BELOIT AMERICA, INC. ("OWNER") AND CONTAINS OWNER'S PROPRIETARY INFORMATION. ANY PERSON, CORPORATION OR OTHER FIRM RECEIVING IT IS DEEMED, BY RECEIVING IT, TO AGREE THAT IT, AND/OR ANY PART OF IT, SHALL NOT BE DISCLOSED TO ANY PERSON, CORPORATION OR OTHER ENTITY, DUPLICATED, AND/OR USED, EXCEPT AS EXPRESSLY APPROVED IN WRITING IN ADVANCE BY OWNER. THIS DOCUMENT SHALL BE RETURNED TO OWNER UPON REQUEST. IT MAY BE SUBJECT TO CERTAIN RESTRICTIONS UNDER APPLICABLE EXPORT CONTROL LAWS AND REGULATIONS.</small>				.XX	±0.03	[±0.76]	APPROVED BY PK	
				.XXX	±0.005	[±0.127]	DATE 05/23/2018	MATERIAL PROCESS/FINISH
				.XXX	±0.0005	[±0.0127]	REFERENCE 607-0193	
				REMOVE BURRS & BREAK SHARP EDGES: .003/.015 [0.076/.381] X 45° CORNER FILLETS: R.02 [51]		THIRD ANGLE PROJECTION		SIZE B DRAWING NUMBER 607-0356 SHEET 1 OF 1
				MACHINED SURFACES: 200 INCH / 5.1 mm SHOWN IN [BRACKETS]				

VIEW FROM OUTSIDE OF MOTOR AT SWITCH END. Uncontrolled Copy



**LINE LEADS**



VOLTAGE	L1	L2	L3	JOIN & INSULATE
HIGH	T1	T2	T3	(T4,T7) (T5,T8) (T6,T9)
LOW	T1,T7	T2,T8	T3,T9	T4,T5,T6

DRAWING REVISION **G** REVISION BY **MVG** DATE **04/05/2017**

ECO **ECO-0121253** APPROVED BY **SM** DATE **04/05/2017**

ECO DESCRIPTION  
**ADDED P1 & P2 FOR TSTAT**

COPYRIGHT REGAL BELOIT AMERICA, INC. ALL RIGHTS RESERVED.  
PROPRIETARY AND CONFIDENTIAL INFORMATION - THIS DOCUMENT IS THE PROPERTY OF  
REGAL BELOIT AMERICA, INC. ("OWNER") AND CONTAINS OWNER'S PROPRIETARY  
INFORMATION. ANY PERSON, CORPORATION OR OTHER FIRM RECEIVING IT IS DEEMED,  
BY RECEIVING IT, TO AGREE THAT IT, AND/OR ANY PART OF IT, SHALL NOT BE DISCLOSED  
TO ANY PERSON, CORPORATION OR OTHER ENTITY, DUPLICATED, AND/OR USED, EXCEPT  
AS EXPRESSLY APPROVED IN WRITING IN ADVANCE BY OWNER. THIS DOCUMENT SHALL  
BE RETURNED TO OWNER UPON REQUEST. IT MAY BE SUBJECT TO CERTAIN  
RESTRICTIONS UNDER APPLICABLE EXPORT CONTROL LAWS AND REGULATIONS.

TOLERANCES UNLESS OTHERWISE SPECIFIED:

DEC.	INCH	mm	ANGLE
.X	±0.1	[±2.5]	±0.5°
.XX	±0.01	[±0.25]	
.XXX	±0.005	[±0.127]	
.XXXX	±0.0005	[±0.0127]	

REMOVE BURRS & BREAK SHARP  
EDGES: .003/.015 [.076/.381] X 45°  
CORNER FILLETS: R.02 [.51]  
MACHINED SURFACES: 125/3.2  
INCH/mm

mm SHOWN IN [BRACKETS]

DRAWN BY **DBT 12/16/97**

DATE

APPROVED BY **KH 12/17/97**

DATE

REFERENCE  
THIRD ANGLE PROJECTION

**REGAL**™ Regal Beloit America, Inc.

DESCRIPTION  
**CONN DIAGRAM-EXTERNAL**  
3 PHASE WITH PROTECTOR

MATERIAL DECAL - 004014 (TSTAT) - 080582	PROCESS/FINISH STOCK
SIZE <b>A</b>	DRAWING NUMBER <b>00501020</b>
SHEET <b>1 OF 1</b>	



Motor Load Data

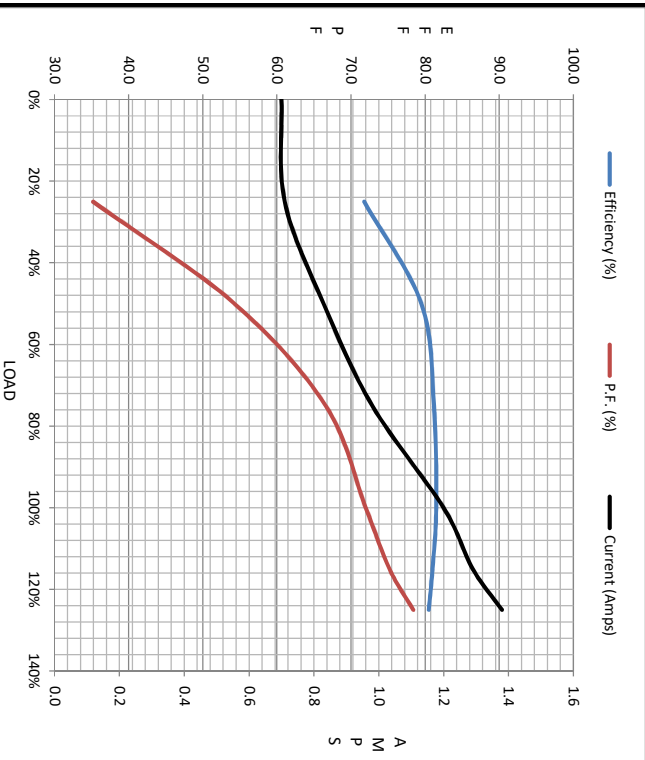
Load	0%	25%	50%	75%	100%	115%	125%	LR
Current (Amps)	0.70	0.71	0.83	0.98	1.20	1.29	1.38	8.0
Torque (ft-lb)	0.00	143	287	430	574	10,289	717	1,690
RPM	1800	1787	1775	1760	1744	1,738	1730	0
Efficiency (%)		71.8	79.5	81.2	81.5	81.0	80.5	
P.F. (%)	11.7	35.2	54.3	66.6	72.0	75.2	78.4	0.0

Motor Speed Data

	LR	Pull-Up	BD	Rated	Idle
Speed (RPM)	0	900	1656	1744	1800
Current (Amps)	8.0	7.3	4.8	1.20	0.70
Torque (ft-lb)	1,690	1,658	2,168	574	0.00

Information Block

HP	0.8
Sync. RPM	1800
Frame	140
Enclosure	DP
Construction	TDR
Voltage	230/460#190/380 V
Frequency	60 Hz
Design	B
LR Code letter	K
Service Factor	1.15
Temp Rise @ FL	22 °C
Duty	CONT
Ambient	40 °C
Elevation	1,000 feet
Rotor/Shaft wk <sup>2</sup>	1.000 lb-Ft <sup>2</sup>
Ref Wdg	T634302 DR
Sound Pressure @ 1M	0 dBA
VFD Rating	CONSTANT 10:1
Outline Dwg	607-0193-600
Conn. Diag	005010.20
Additional Specifications:	
0	
EQUIV CKT (OHMS / PHASE)	
R1	R2
0.0000	0.0000
X1	X2
0.0000	0.0000
Xm	
0.0000	



Speed -Torque Curve

