

# PRODUCT INFORMATION PACKET



Model No: C6T17DB91B

Catalog No: E116754.00

E116754.00..1.5HP..1750RPM.56.DP.230/460V.3PH.60HZ.CONT.40C.1.25SF.RIGID.C6T17DB91.....GENER  
AL PURPOSE.T-STAT.....

Open Drip Proof (ODP)



Regal and Leeson are trademarks of Regal Beloit Corporation or one of its affiliated companies.

©2018 Regal Beloit Corporation, All Rights Reserved. MC017097E





### Nameplate Specifications

Output HP	1.50 Hp	Output KW	1.1 kW
Frequency	60 Hz	Voltage	230/460 V
Current	4.8/2.4 A	Speed	1750 rpm
Service Factor	1.25	Phase	3
Efficiency	86.5 %	Duty	Continuous
Insulation Class	F	Design Code	B
KVA Code	L	Frame	56
Enclosure	Drip Proof	Overload Protector	No
Ambient Temperature	40 °C	Drive End Bearing Size	6203
Opp Drive End Bearing Size	6203	UL	Recognized
CSA	Y	CE	Y
IP Code	22		

### Technical Specifications

Electrical Type	Squirrel Cage Inverter Rated	Starting Method	Line Or Inverter
Poles	4	Rotation	Reversible
Mounting	Rigid base	Motor Orientation	HORIZONTAL
Drive End Bearing	BALL	Opp Drive End Bearing	BALL
Frame Material	Rolled Steel	Shaft Type	T
Overall Length	12.87 in	Frame Length	8.00 in
Shaft Diameter	0.625 in	Shaft Extension	1.88 in
Assembly/Box Mounting	F1 ONLY		
Outline Drawing	607-0351-800	Connection Diagram	005010.20

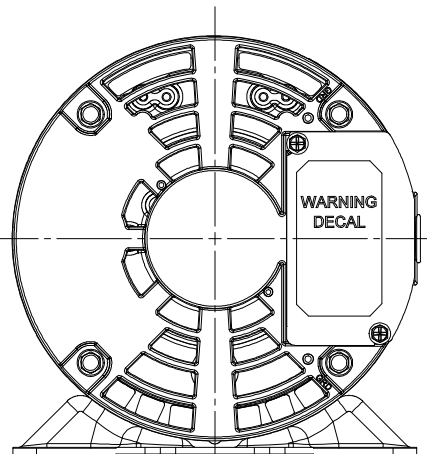
This is an uncontrolled document once printed or downloaded and is subject to change without notice. Date Created: 10/15/2018

B

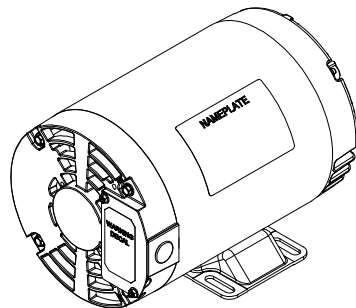
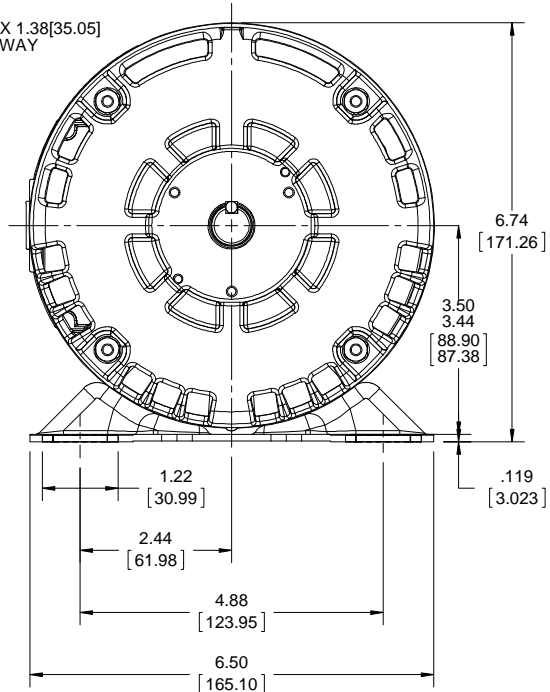
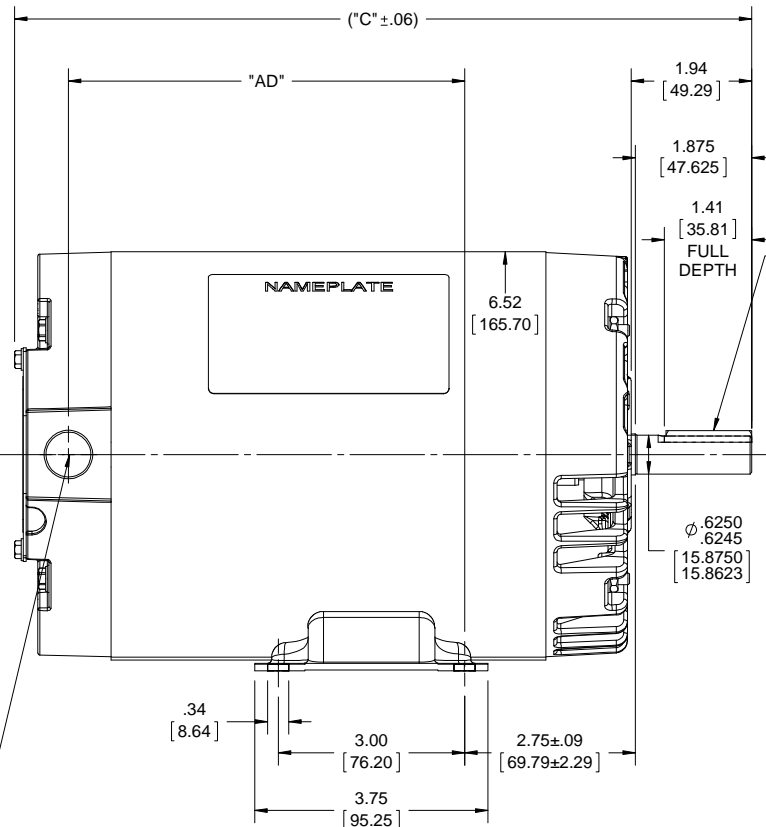
B

A

A



1/2-14 NPT (PLUGGED)



DASH NO.	"C"	"AD"
700	11.87[301.49]	6.38[162.05]
725	12.12[307.84]	6.63[168.40]
800	12.87[326.89]	7.38[187.45]

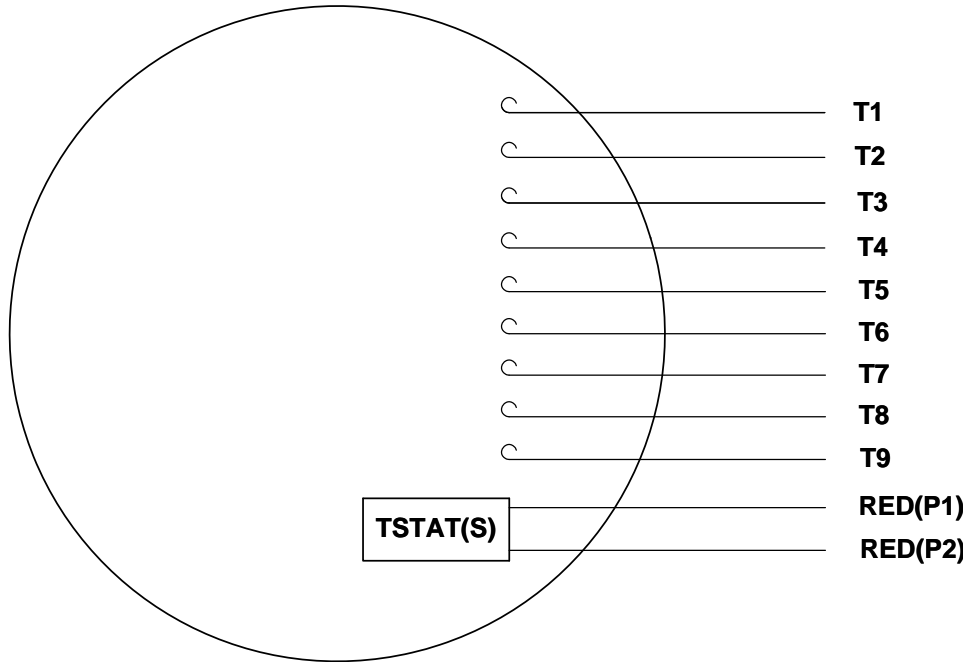
DRAWING REVISION A	REVISION BY APPROVED BY	DATE
ECO ECO-0140840		
ECO DESCRIPTION OUTLINE CONVERSION PROJECT		
<small>COPYRIGHT REGAL BELOIT AMERICA, INC. ALL RIGHTS RESERVED.          PROPRIETARY AND CONFIDENTIAL INFORMATION - THIS DOCUMENT IS THE PROPERTY OF          REGAL BELOIT AMERICA, INC. ("OWNER") AND CONTAINS OWNER'S PROPRIETARY          INFORMATION. ANY PERSON, CORPORATION OR OTHER FIRM RECEIVING IT IS DEEMED,          BY RECEIVING IT, TO AGREE THAT IT, AND/OR ANY PART OF IT, SHALL NOT BE DISCLOSED          TO ANY PERSON, CORPORATION OR OTHER ENTITY, DUPLICATED, AND/OR USED, EXCEPT          AS EXPRESSLY APPROVED IN WRITING IN ADVANCE BY OWNER. THIS DOCUMENT SHALL          BE RETURNED TO OWNER UPON REQUEST. IT MAY BE SUBJECT TO CERTAIN          RESTRICTIONS UNDER APPLICABLE EXPORT CONTROL LAWS AND REGULATIONS.</small>		

TOLERANCES UNLESS OTHERWISE SPECIFIED:			
DEC.	INCH	mm	ANGLE
.X	+0.1	[+2.5]	±0.5°
.XX	+0.03	[+0.76]	
.XXX	+0.005	[+0.127]	
.XXXX	+0.0005	[+0.0127]	
REMOVE BURRS & BREAK SHARP EDGES: .003/.015 [0.076/.381] X 45°			
CORNER FILLETS: R.02 [51]			
MACHINED SURFACES: 125/3.2			
mm SHOWN IN [BRACKETS]			

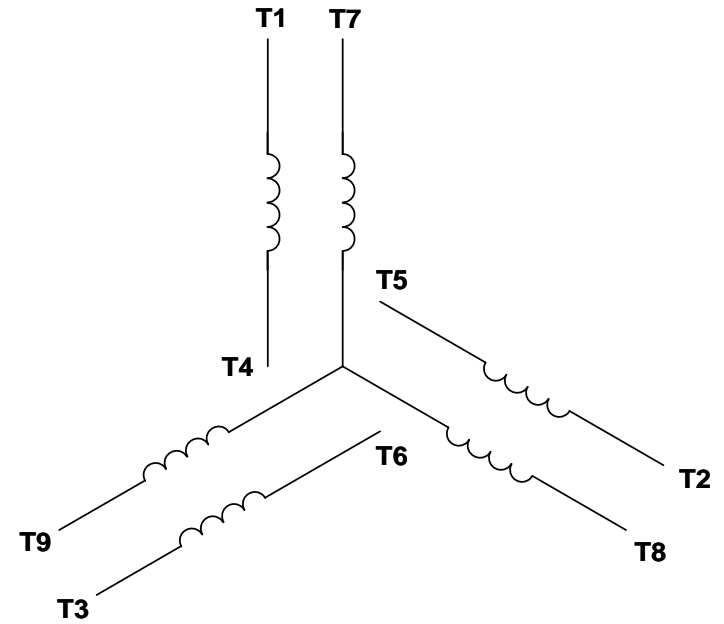
DRAWN BY A. KEETHA	DATE 02/01/2018
APPROVED BY PK	DATE 03/08/2018
REFERENCE 607-0191	THIRD ANGLE PROJECTION

Regal Beloit America, Inc.	
DESCRIPTION OUTLINE DRIP PROOF-RIGID BASE	
MATERIAL	PROCESS/FINISH
SIZE B	DRAWING NUMBER 607-0351
	SHEET 1 OF 1

VIEW FROM OUTSIDE OF MOTOR AT SWITCH END. Uncontrolled Copy



**LINE LEADS**



VOLTAGE	L1	L2	L3	JOIN & INSULATE
HIGH	T1	T2	T3	(T4,T7) (T5,T8) (T6,T9)
LOW	T1,T7	T2,T8	T3,T9	T4,T5,T6

DRAWING REVISION **G** REVISION BY **MVG** DATE **04/05/2017**

ECO **ECO-0121253** APPROVED BY **SM** DATE **04/05/2017**

ECO DESCRIPTION  
**ADDED P1 & P2 FOR TSTAT**

COPYRIGHT REGAL BELOIT AMERICA, INC. ALL RIGHTS RESERVED.  
PROPRIETARY AND CONFIDENTIAL INFORMATION - THIS DOCUMENT IS THE PROPERTY OF  
REGAL BELOIT AMERICA, INC. ('OWNER') AND CONTAINS OWNER'S PROPRIETARY  
INFORMATION. ANY PERSON, CORPORATION OR OTHER FIRM RECEIVING IT IS DEEMED,  
BY RECEIVING IT, TO AGREE THAT IT, AND/OR ANY PART OF IT, SHALL NOT BE DISCLOSED  
TO ANY PERSON, CORPORATION OR OTHER ENTITY, DUPLICATED, AND/OR USED, EXCEPT  
AS EXPRESSLY APPROVED IN WRITING IN ADVANCE BY OWNER. THIS DOCUMENT SHALL  
BE RETURNED TO OWNER UPON REQUEST. IT MAY BE SUBJECT TO CERTAIN  
RESTRICTIONS UNDER APPLICABLE EXPORT CONTROL LAWS AND REGULATIONS.

TOLERANCES UNLESS OTHERWISE SPECIFIED:

DEC.	INCH	mm	ANGLE
.X	±0.1	[±2.5]	±0.5°
.XX	±0.01	[±0.25]	
.XXX	±0.005	[±0.127]	
.XXXX	±0.0005	[±0.0127]	

REMOVE BURRS & BREAK SHARP  
EDGES: .003/.015 [.076/.381] X 45°  
CORNER FILLETS: R.02 [.51]  
MACHINED SURFACES: 125/3.2  
INCH/mm

mm SHOWN IN [BRACKETS]

DRAWN BY **DBT 12/16/97**

DATE

APPROVED BY **KH 12/17/97**

DATE

REFERENCE

THIRD ANGLE PROJECTION

**REGAL**™ Regal Beloit America, Inc.

DESCRIPTION  
**CONN DIAGRAM-EXTERNAL**  
3 PHASE WITH PROTECTOR

MATERIAL **DECAL - 004014 (TSTAT) - 080582** PROCESS/FINISH **STOCK**

SIZE **A** DRAWING NUMBER **00501020** SHEET **1 OF 1**



P.O. BOX 8003  
WAUSAU, WI 54401-8003  
PH. 715-675-3311

DATA VOLTS: 460

CERTIFICATION DATA SHEET

CONN. DIAGRAM: 005010.20  
OUTLINE: 607-0191-800  
WINDING: T634341

CAT #: E116754.00

DR 3

TYPICAL MOTOR PERFORMANCE DATA

HP	KW	SYNC RPM	FL RPM	FRAME	ENCLOSURE	TYPE	KVA CODE	DESIGN	
1.5	1.1	1800	1746	56	DP	TDR	L	B	
PH	HZ	VOLTS	AMPS	START TYPE	DUTY	INSL	S.F.	AMB	ELEV.
3	60/50	230/460#190/380	4.3/2.15&4.9/2.45	LINE OR INVERTER	CONT	F	1.15	40	3300
F.L. EFF	86.5	F.L. PF	70.0	3/4 LD EFF	87.0	1/2 LD EFF	84.2	GTD EFF	0.0
				3/4 LD PF	67.2	1/2 LD PF	55.1		
F.L. TORQUE	LR AMPS @ 460 V	L.R. TORQUE	B.D. TORQUE	F.L. RISE (°C)					
4.5 LB-FT	18.1	14.8 LB-FT	329%	19.8 LB-FT	440%	28			
PRESSURE @ 3	POWER	ROTOR WK²	MAX. LOAD WK²	SAFE STALL TIME	STARTS/HOUR	MOTOR WGT			
0 DBA	9 DBA	0.14 LB-FT²	0.1 LB-FT²	10 SEC.	0	0 LB.			

\*\*\* SUPPLEMENTAL INFORMATION \*\*\*

DE BRACKET TYPE	ODE BRACKET TYPE	MOUNT TYPE	MOTOR ORIENTATION	SEVERE DUTY	HAZARDOUS LOCATION	DRIIP COVER	SCREENS	PAINT
STANDARD	STANDARD	RIGID	HORIZONTAL	NO	NONE	NO	NONE	N - LEESON WATTS
BEARINGS	GREASE	SHAFT TYPE	SPECIAL DE	SPECIAL ODE	SHAFT MATERIAL	FRAME MATERIAL		
DE ODE	POLYREX EM	T	NONE	NONE	1144 STRESSPROOF (C-223)	ROLLED STEEL		
BALL BALL								
6203	6203							
THERMOSTATS	PROTECTORS	WDG RTD's	BRG RTD's	THERMISTORS	CONTROL	SPACE HEATERS		
TSTATS (N/C)	NOT	NONE	NONE	NONE	FALSE	NA		
R1 (ohms/ph)	R2 (ohms/ph)	X1 (ohms/ph)	X2 (ohms/ph)	Xm (ohms/ph)	VIBRATION (in/sec)	FLOAT ODE		
0	0	0	0	0	0.080			

INVERTER TORQUE: CONSTANT 10:1  
INV. HP SPEED RANGE: 1.25 X BASE SPEED

ENCODER: NONE  
BRAKE: NONE  
FT-LB: NONE  
VOLTAGE: NONE  
UL: Y-(LEESON UL REC)

DATE: 1/22/2018

INVERTER TORQUE: CONSTANT 10:1  
INV. HP SPEED RANGE: 1.25 X BASE SPEED  
ENCODER: NONE  
BRAKE: NONE  
FT-LB: NONE  
VOLTAGE: NONE  
UL: Y-(LEESON UL REC)



Motor Load Data						LR	
Load	0%	25%	50%	75%	100%	115%	125%
Current (Amps)	1.23	1.33	1.53	1.81	2.15	2.42	2.52
Torque (ft-lb)	0.00	1.13	2.25	3.4	4.5	5.2	5.6
RPM	1800	1786	1773	1761	1746	1740	1732
Efficiency (%)		76.1	84.2	87.0	88.5	86.2	85.9
P.F. (%)	9.9	35.5	55.1	67.2	70.0	74.0	80.1

Motor Speed Data						Information Block																					
	LR	Pull-Up	BD	Rated	Idle	HP	Sync. RPM	Frame	Enclosure	Construction	Voltage	Frequency	Design	LR Code letter	Service Factor	Temp Rise @ FL	Duty	Ambient	Elevation	Rotor/Shaft wk <sup>2</sup>	Ref Wdg	Sound Pressure @ 1M	VFD Rating	Outline Dwg	Conn. Diag	Additional Specifications:	
Speed (RPM)	0	900	1600	1746	1800	1.5	1800	140	DP	TDR	230/460#190/380	60	B	L	1.15	28	CONT	40 °C	1,000 feet	0.14 LB-Ft <sup>2</sup>	DR	0	CONSTANT 10:1	607-0191-800	005010.20		
Current (Amps)	18.1	16.0	12.1	2.15	1.23																						
Torque (ft-lb)	14.8	13.5	19.8	4.5	0.00																						

