

# PRODUCT INFORMATION PACKET



Model No: C6T34DB31B

Catalog No: E116753.00

E116753.00..1.5HP..3490RPM.56.DP.230/460V.3PH.60HZ.CONT.40C.1.25SF.RIGID  
BASE.C6T34DB31.....GENERAL PURPOSE.S-STAT.....

Open Drip Proof (ODP)



Regal and Leeson are trademarks of Regal Beloit Corporation or one of its affiliated companies.

©2018 Regal Beloit Corporation, All Rights Reserved. MC017097E





### Nameplate Specifications

Output HP	1.50 Hp	Output KW	1.1 kW
Frequency	60 Hz	Voltage	230/460 V
Current	4.0/2.0 A	Speed	3490 rpm
Service Factor	1.25	Phase	3
Efficiency	84 %	Duty	Continuous
Insulation Class	F	Design Code	B
KVA Code	M	Frame	56
Enclosure	Drip Proof	Overload Protector	No
Ambient Temperature	40 °C	Drive End Bearing Size	6203
Opp Drive End Bearing Size	6203	UL	Recognized
CSA	Y	CE	Y
IP Code	22		

### Technical Specifications

Electrical Type	Squirrel Cage Inverter Rated	Starting Method	Line Or Inverter
Poles	2	Rotation	Reversible
Mounting	Rigid base	Motor Orientation	HORIZONTAL
Drive End Bearing	BALL	Opp Drive End Bearing	BALL
Frame Material	Rolled Steel	Shaft Type	T
Overall Length	11.87 in	Frame Length	7.00 in
Shaft Diameter	0.625 in	Shaft Extension	1.88 in
Assembly/Box Mounting	F1 ONLY		
Outline Drawing	607-0351-700	Connection Diagram	005010.20

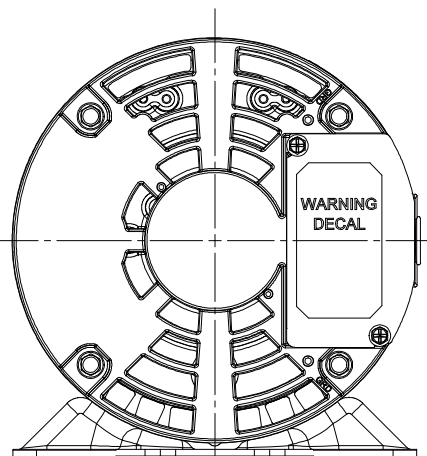
This is an uncontrolled document once printed or downloaded and is subject to change without notice. Date Created: 10/15/2018

B

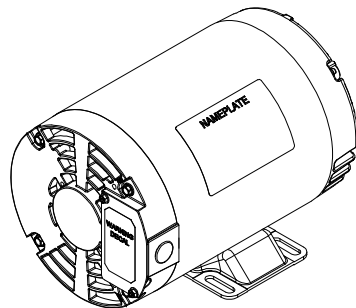
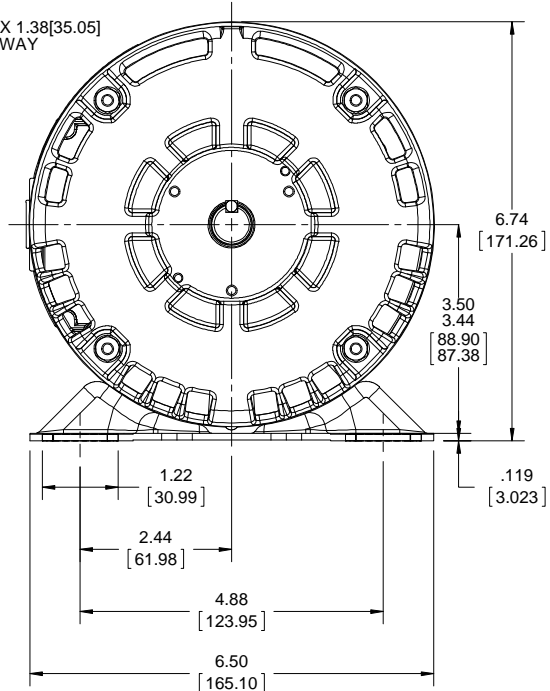
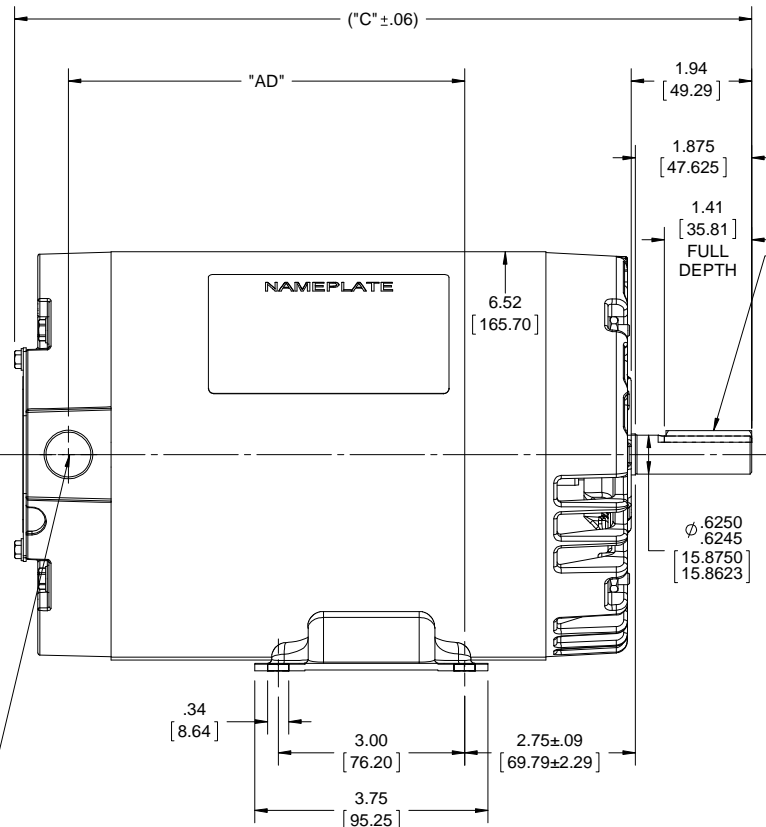
B

A

A



1/2-14 NPT (PLUGGED)



DASH NO.	"C"	"AD"
700	11.87[301.49]	6.38[162.05]
725	12.12[307.84]	6.63[168.40]
800	12.87[326.89]	7.38[187.45]

DRAWING REVISION	REVISION BY	DATE
A		
ECO-0140840	APPROVED BY	DATE
ECO DESCRIPTION		
OUTLINE CONVERSION PROJECT		
<small>COPYRIGHT REGAL BELOIT AMERICA, INC. ALL RIGHTS RESERVED.            PROPRIETARY AND CONFIDENTIAL INFORMATION - THIS DOCUMENT IS THE PROPERTY OF            REGAL BELOIT AMERICA, INC. (OWNER) AND CONTAINS OWNER'S PROPRIETARY            INFORMATION. ANY PERSON, CORPORATION OR OTHER FIRM RECEIVING IT IS DEEMED,            BY RECEIVING IT, TO AGREE THAT IT, AND/OR ANY PART OF IT, SHALL NOT BE DISCLOSED            TO ANY PERSON, CORPORATION OR OTHER ENTITY, DUPLICATED, AND/OR USED, EXCEPT            AS EXPRESSLY APPROVED IN WRITING IN ADVANCE BY OWNER. THIS DOCUMENT SHALL            BE RETURNED TO OWNER UPON REQUEST. IT MAY BE SUBJECT TO CERTAIN            RESTRICTIONS UNDER APPLICABLE EXPORT CONTROL LAWS AND REGULATIONS.</small>		

TOLERANCES UNLESS OTHERWISE SPECIFIED:			
DEC.	INCH	mm	ANGLE
.X	+0.1	[±2.5]	±0.5°
.XX	+0.03	[±0.76]	
.XXX	+0.005	[±0.127]	
.XXXX	+0.0005	[±0.0127]	
REMOVE BURRS & BREAK SHARP			
EDGES: .003/.015 [0.076/.381] X 45°			
CORNER FILLETS: R.02 [51]			
MACHINED SURFACES: 125/3.2			
mm SHOWN IN [BRACKETS]			

DRAWN BY	A. KEETHA
DATE	02/01/2018
APPROVED BY	PK
DATE	03/08/2018
REFERENCE	607-0191
THIRD ANGLE PROJECTION	

		Regal Beloit America, Inc.	
DESCRIPTION			
OUTLINE DRIP PROOF-RIGID BASE			
MATERIAL		PROCESS/FINISH	
SIZE	DRAWING NUMBER	SHEET	
B	607-0351	1 OF 1	

VIEW FROM OUTSIDE OF MOTOR AT SWITCH END. Uncontrolled Copy



**LINE LEADS**



VOLTAGE	L1	L2	L3	JOIN & INSULATE
HIGH	T1	T2	T3	(T4,T7) (T5,T8) (T6,T9)
LOW	T1,T7	T2,T8	T3,T9	T4,T5,T6

DRAWING REVISION **G** REVISION BY **MVG** DATE **04/05/2017**

ECO **ECO-0121253** APPROVED BY **SM** DATE **04/05/2017**

ECO DESCRIPTION  
**ADDED P1 & P2 FOR TSTAT**

COPYRIGHT REGAL BELOIT AMERICA, INC. ALL RIGHTS RESERVED.  
PROPRIETARY AND CONFIDENTIAL INFORMATION - THIS DOCUMENT IS THE PROPERTY OF  
REGAL BELOIT AMERICA, INC. ("OWNER") AND CONTAINS OWNER'S PROPRIETARY  
INFORMATION. ANY PERSON, CORPORATION OR OTHER FIRM RECEIVING IT IS DEEMED,  
BY RECEIVING IT, TO AGREE THAT IT, AND/OR ANY PART OF IT, SHALL NOT BE DISCLOSED  
TO ANY PERSON, CORPORATION OR OTHER ENTITY, DUPLICATED, AND/OR USED, EXCEPT  
AS EXPRESSLY APPROVED IN WRITING IN ADVANCE BY OWNER. THIS DOCUMENT SHALL  
BE RETURNED TO OWNER UPON REQUEST. IT MAY BE SUBJECT TO CERTAIN  
RESTRICTIONS UNDER APPLICABLE EXPORT CONTROL LAWS AND REGULATIONS.

TOLERANCES UNLESS OTHERWISE SPECIFIED:

DEC.	INCH	mm	ANGLE
.X	±0.1	[±2.5]	±0.5°
.XX	±0.01	[±0.25]	
.XXX	±0.005	[±0.127]	
.XXXX	±0.0005	[±0.0127]	

**REMOVE BURRS & BREAK SHARP EDGES: .003/.015 [.076/.381] X 45°**  
**CORNER FILLETS: R.02 [.51]**  
**MACHINED SURFACES: 125/3.2 INCH/mm**  
**mm SHOWN IN [BRACKETS]**

DRAWN BY **DBT 12/16/97**

DATE

APPROVED BY **KH 12/17/97**

DATE

REFERENCE  
THIRD ANGLE PROJECTION

**REGAL**™ Regal Beloit America, Inc.

DESCRIPTION  
**CONN DIAGRAM-EXTERNAL**  
3 PHASE WITH PROTECTOR

MATERIAL <b>DECAL - 004014 (TSTAT) - 080582</b>	PROCESS/FINISH <b>STOCK</b>
SIZE <b>A</b>	DRAWING NUMBER <b>00501020</b>
SHEET <b>1 OF 1</b>	



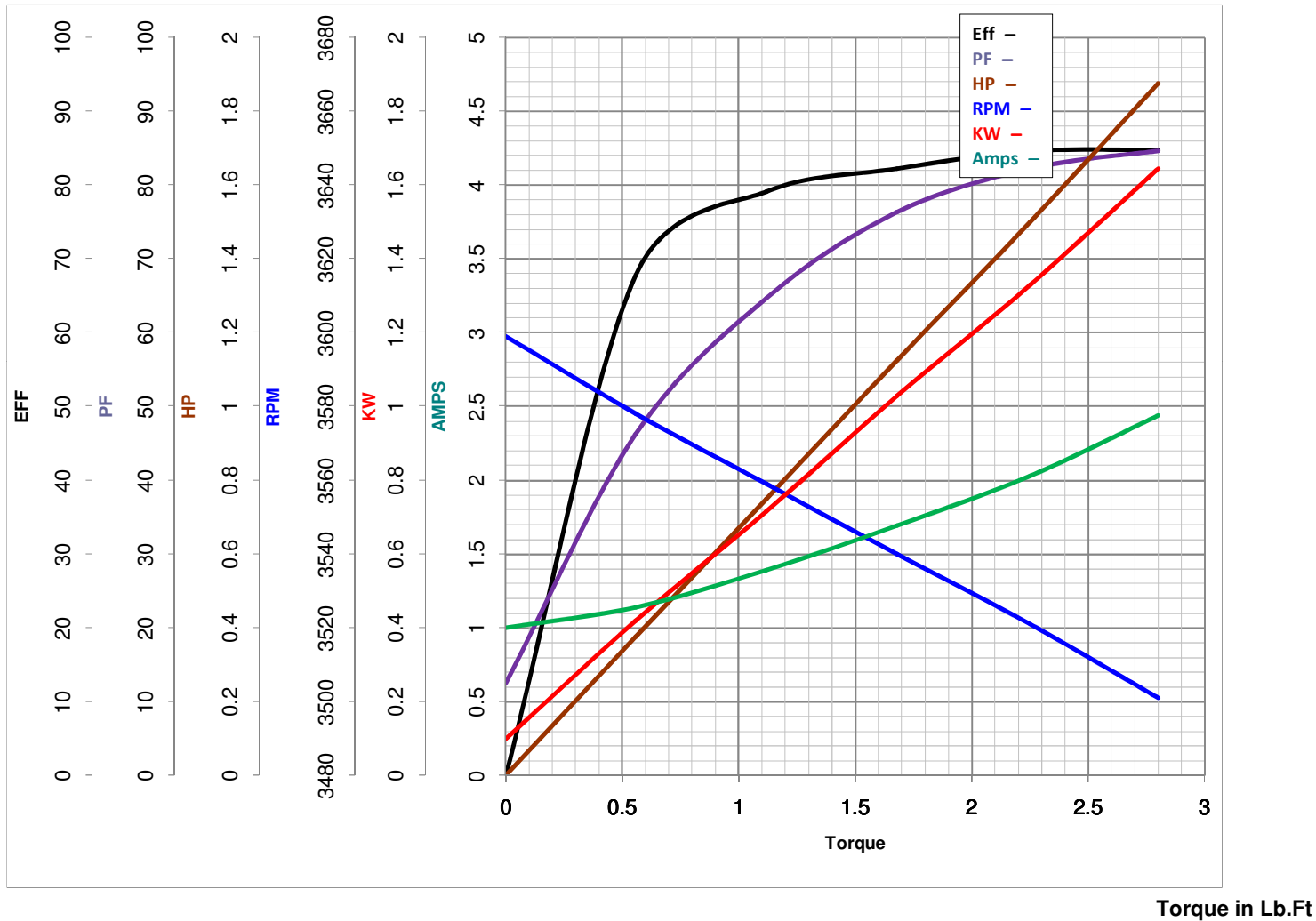
**LEESON ELECTRIC CORPORATION**  
 TYPICAL PERFORMANCE CURVE for AC MOTOR

Model No E116753.00

Catalog No E116753.00

Curve at 460 Volts      HP 1.5&1.5      PHASE 3  
60 HZ  
1.5 HP      VOLTS 230/460&190/380

HZ 60&50      RPM 3490&2890



FL TORQUE 2.25 Lb.Ft  
 BD TORQUE 11.2 Lb.Ft  
 LR TORQUE 8.5 Lb.Ft

FL AMPS 43192  
 PU TORQUE 8.5 Lb.Ft  
 LR AMPS 21

WINDING T632173-3

Date 5/22/2018