

PRODUCT INFORMATION PACKET



Model No: C6T34DR40A

Catalog No: E114194.00

.1.5HP..3490RPM.56H.DP.230/460V.3PH.60HZ.CONT.40C.1.15SF.RESILIENT BASE..T-STAT.....

Open Drip Proof (ODP)



Regal and Leeson are trademarks of Regal Beloit Corporation or one of its affiliated companies.

©2018 Regal Beloit Corporation, All Rights Reserved. MC017097E





Nameplate Specifications

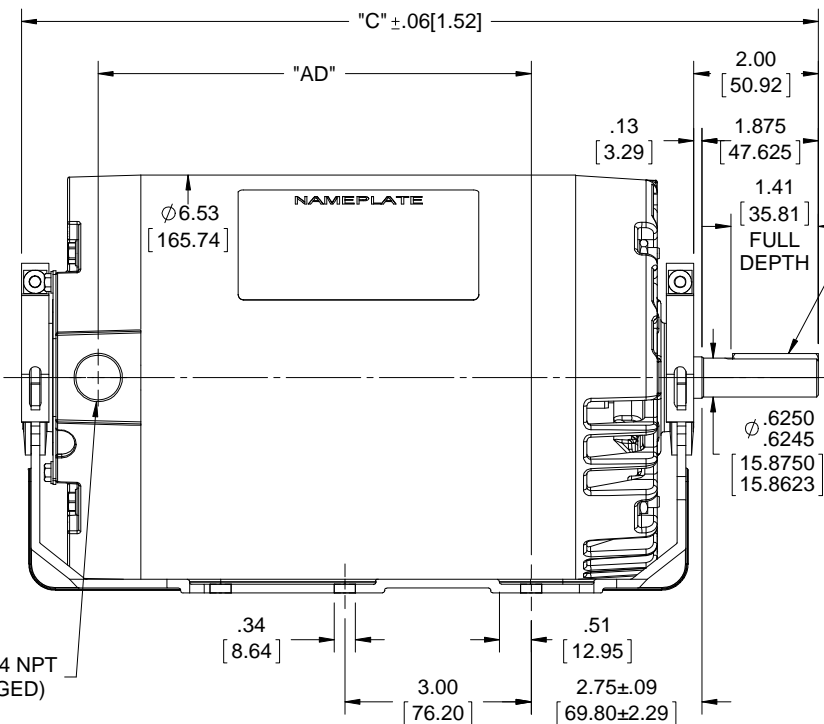
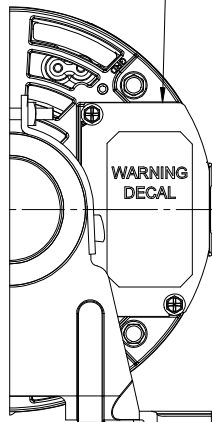
| | | | |
|----------------------------|------------|------------------------|------------|
| Output HP | 1.50 Hp | Output KW | 1.1 kW |
| Frequency | 60 Hz | Voltage | 230/460 V |
| Current | 4.0/2.0 A | Speed | 3490 rpm |
| Service Factor | 1.15 | Phase | 3 |
| Efficiency | 84 % | Duty | Continuous |
| Insulation Class | F | Design Code | B |
| KVA Code | M | Frame | 56H |
| Enclosure | Drip Proof | Overload Protector | No |
| Ambient Temperature | 40 °C | Drive End Bearing Size | 6203 |
| Opp Drive End Bearing Size | 6203 | UL | Recognized |
| CSA | Y | CE | Y |
| IP Code | 22 | | |

Technical Specifications

| | | | |
|-----------------------|------------------------------|-----------------------|------------------|
| Electrical Type | Squirrel Cage Inverter Rated | Starting Method | Line Or Inverter |
| Poles | 2 | Rotation | Reversible |
| Mounting | Resilient Base | Motor Orientation | HORIZONTAL |
| Drive End Bearing | BALL | Opp Drive End Bearing | BALL |
| Frame Material | Rolled Steel | Shaft Type | NEMA 56 |
| Overall Length | 12.82 in | Frame Length | 7.00 in |
| Shaft Diameter | 0.625 in | Shaft Extension | 1.88 in |
| Assembly/Box Mounting | F1 ONLY | | |
| Outline Drawing | 607-0198-700 | Connection Diagram | 005010.20 |

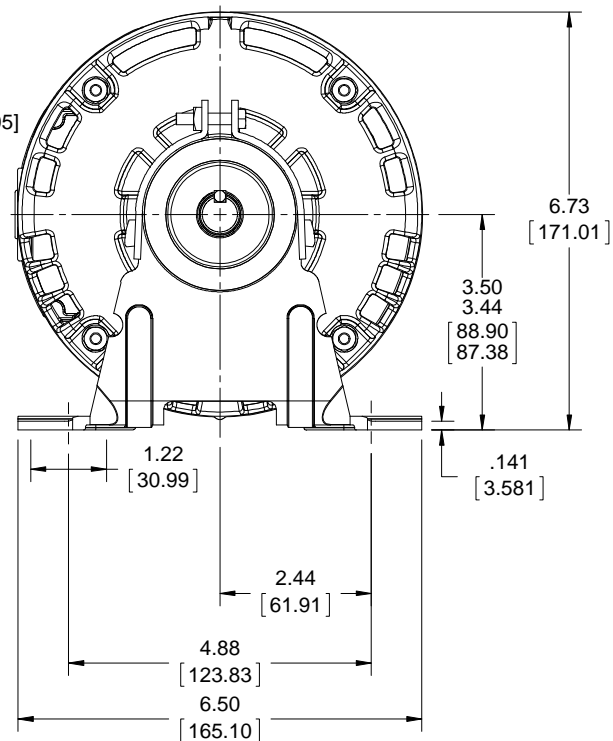
This is an uncontrolled document once printed or downloaded and is subject to change without notice. Date Created: 10/15/2018

DECAL CONNECTION UNDER COVER (WHEN REQ'D)



(1) 1/2-14 NPT (PLUGGED)

.19[4.83] SQ. X 1.38[35.05] KEY



| DASH NO. | "C" | "AD" |
|----------|----------------|---------------|
| 500 | 10.82 [274.83] | 4.96 [125.98] |
| 550 | 11.32 [287.53] | 5.46 [138.68] |
| 600 | 11.82 [300.23] | 5.96 [151.38] |
| 650 | 12.32 [312.93] | 6.46 [164.08] |
| 700 | 12.82 [325.63] | 6.96 [176.78] |
| 750 | 13.32 [338.33] | 7.46 [189.48] |
| 800 | 13.82 [351.03] | 7.96 [202.18] |
| 850 | 14.32 [363.73] | 8.46 [214.88] |

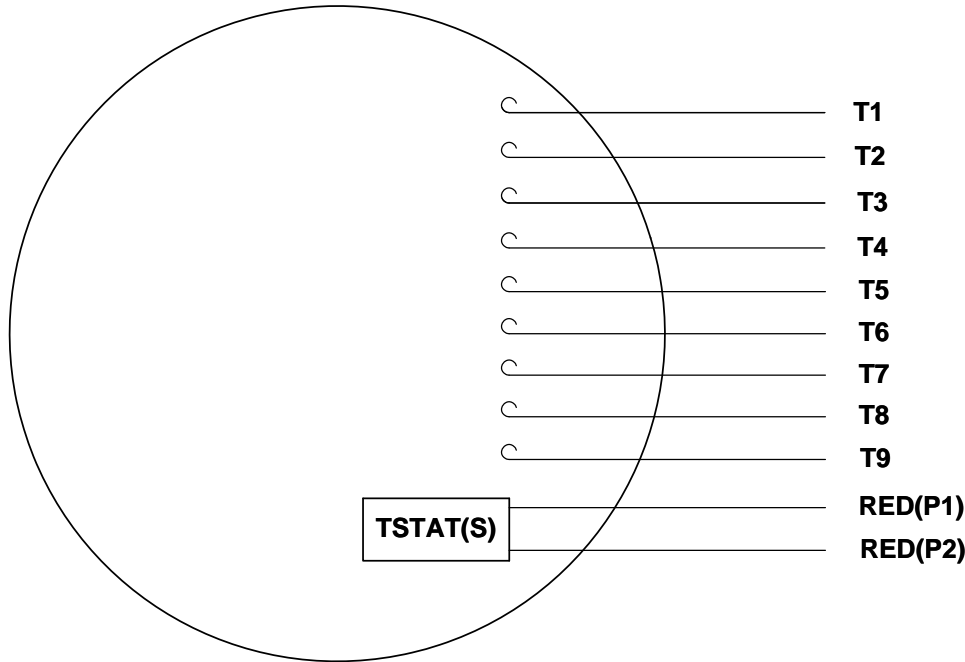
| | | |
|---|-----------------------|--------------------|
| DRAWING REVISION B | REVISION BY T AHER | DATE 01/09/2018 |
| ECO ECO-0143018 | APPROVED BY PK | DATE 04/10/2018 |
| ECO DESCRIPTION OUTLINE CONVERSION PROJECT | | |
| <small>COPYRIGHT REGAL BELOIT AMERICA, INC. ALL RIGHTS RESERVED. PROPRIETARY AND CONFIDENTIAL INFORMATION - THIS DOCUMENT IS THE PROPERTY OF REGAL BELOIT AMERICA, INC. (OWNER) AND CONTAINS OWNER'S PROPRIETARY INFORMATION. ANY PERSON, CORPORATION OR OTHER FIRM RECEIVING IT IS DEEMED, BY RECEIVING IT, TO AGREE THAT IT, AND/OR ANY PART OF IT, SHALL NOT BE DISCLOSED TO ANY PERSON, CORPORATION OR OTHER ENTITY, DUPLICATED, AND/OR USED, EXCEPT AS EXPRESSLY APPROVED IN WRITING IN ADVANCE BY OWNER. THIS DOCUMENT SHALL BE RETURNED TO OWNER UPON REQUEST. IT MAY BE SUBJECT TO CERTAIN RESTRICTIONS UNDER APPLICABLE EXPORT CONTROL LAWS AND REGULATIONS.</small> | | |

| | | |
|---|---------|-----------|
| TOLERANCES UNLESS OTHERWISE SPECIFIED: | | |
| DEC. | INCH | mm |
| .X | +0.1 | [+2.5] |
| .XX | +0.03 | [+0.76] |
| .XXX | +0.005 | [+0.127] |
| .XXXX | +0.0005 | [+0.0127] |
| REMOVE BURRS & BREAK SHARP EDGES: .003/.015 [0.076/.381] X 45 ° | | |
| CORNER FILLETS: R.02 [51] | | |
| MACHINED SURFACES: 200 INCH 5.1 mm | | |
| mm SHOWN IN [BRACKETS] | | |

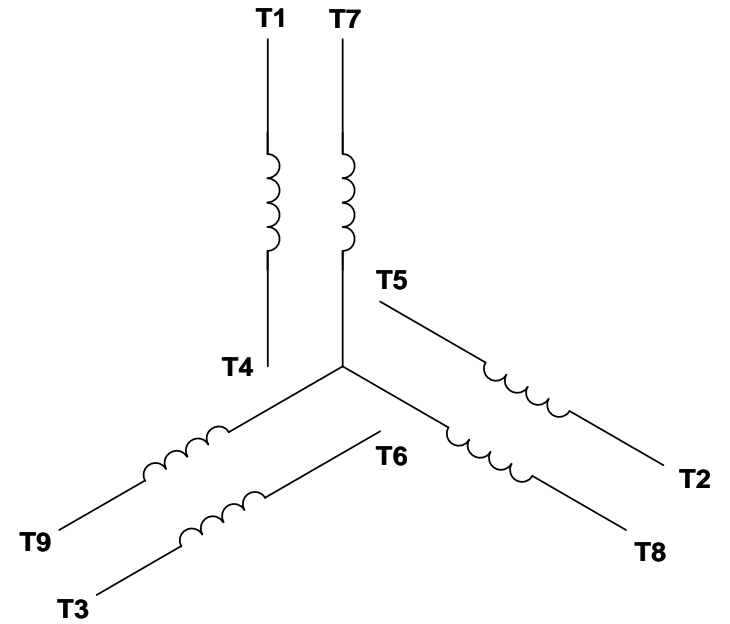
| | |
|-----------------------|------------------------|
| DRAWN BY PST | DATE 01/29/2015 |
| APPROVED BY JD | DATE 01/29/2015 |
| REFERENCE 607-0198 | THIRD ANGLE PROJECTION |

| | |
|--|----------------------------|
| REGAL ™ Regal Beloit America, Inc. | |
| DESCRIPTION OUTLINE 56 FRAME, DRIP PROOF - RESILIENT BASE | |
| MATERIAL | PROCESS/FINISH |
| SIZE B | DRAWING NUMBER 607-0198 |
| SHEET 1 OF 1 | |

VIEW FROM OUTSIDE OF MOTOR AT SWITCH END. Uncontrolled Copy



LINE LEADS



| VOLTAGE | L1 | L2 | L3 | JOIN & INSULATE |
|---------|-------|-------|-------|-------------------------------|
| HIGH | T1 | T2 | T3 | (T4,T7) (T5,T8) (T6,T9) |
| LOW | T1,T7 | T2,T8 | T3,T9 | T4,T5,T6 |

DRAWING REVISION **G** REVISION BY **MVG** DATE **04/05/2017**

ECO **ECO-0121253** APPROVED BY **SM** DATE **04/05/2017**

ECO DESCRIPTION
ADDED P1 & P2 FOR TSTAT

COPYRIGHT REGAL BELOIT AMERICA, INC. ALL RIGHTS RESERVED.
PROPRIETARY AND CONFIDENTIAL INFORMATION - THIS DOCUMENT IS THE PROPERTY OF
REGAL BELOIT AMERICA, INC. ("OWNER") AND CONTAINS OWNER'S PROPRIETARY
INFORMATION. ANY PERSON, CORPORATION OR OTHER FIRM RECEIVING IT IS DEEMED,
BY RECEIVING IT, TO AGREE THAT IT, AND/OR ANY PART OF IT, SHALL NOT BE DISCLOSED
TO ANY PERSON, CORPORATION OR OTHER ENTITY, DUPLICATED, AND/OR USED, EXCEPT
AS EXPRESSLY APPROVED IN WRITING IN ADVANCE BY OWNER. THIS DOCUMENT SHALL
BE RETURNED TO OWNER UPON REQUEST. IT MAY BE SUBJECT TO CERTAIN
RESTRICTIONS UNDER APPLICABLE EXPORT CONTROL LAWS AND REGULATIONS.

TOLERANCES UNLESS OTHERWISE SPECIFIED:

| DEC. | INCH | mm | ANGLE |
|-------|---------|-----------|-------|
| .X | ±0.1 | [±2.5] | ±0.5° |
| .XX | ±0.01 | [±0.25] | |
| .XXX | ±0.005 | [±0.127] | |
| .XXXX | ±0.0005 | [±0.0127] | |

REMOVE BURRS & BREAK SHARP
EDGES: .003/.015 [.076/.381] X 45°
CORNER FILLETS: R.02 [.51]
MACHINED SURFACES: 125/3.2
INCH/mm

mm SHOWN IN [BRACKETS]

DRAWN BY **DBT 12/16/97**

DATE

APPROVED BY **KH 12/17/97**

DATE

REFERENCE

THIRD ANGLE PROJECTION

REGAL™ Regal Beloit America, Inc.

DESCRIPTION
CONN DIAGRAM-EXTERNAL
3 PHASE WITH PROTECTOR

MATERIAL
DECAL - 004014 (TSTAT) - 080582

PROCESS/FINISH
STOCK

SIZE **A** DRAWING NUMBER **00501020** SHEET **1 OF 1**



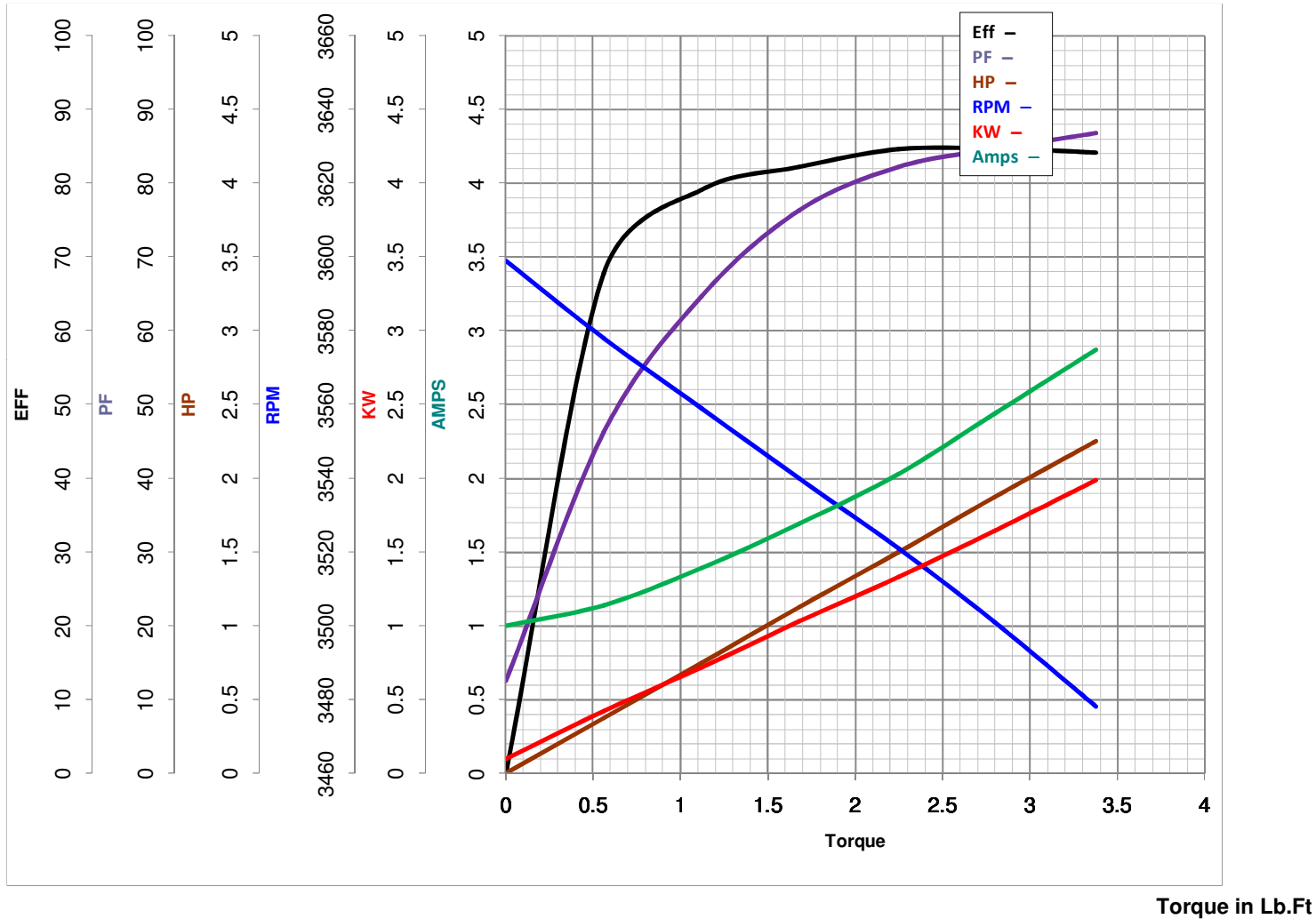
LEESON ELECTRIC CORPORATION
 TYPICAL PERFORMANCE CURVE for AC MOTOR

Model No E114194.00

Catalog No E114194.00

Curve at 460 Volts HP 1.5&1.5 PHASE 3
60 HZ
1.5 HP VOLTS 230/460&190/380

HZ 60&50 RPM 3490&2890



FL TORQUE 2.25 Lb.Ft
 BD TORQUE 11.2 Lb.Ft
 LR TORQUE 8.5 Lb.Ft

FL AMPS 43192
 PU TORQUE 8.5 Lb.Ft
 LR AMPS 21

WINDING T632173-3

Date 5/22/2018