

# PRODUCT INFORMATION PACKET



Model No: U6T34DR43A

Catalog No: E113896.00

..1 1/2HP..3450RPM.56H.DP.230/460V.3PH.60HZ.CONT.40C.1.15SF.RESIL..AUTOMATIC.....

Open Drip Proof (ODP)



Regal and Leeson are trademarks of Regal Beloit Corporation or one of its affiliated companies.

©2018 Regal Beloit Corporation, All Rights Reserved. MC017097E





### Nameplate Specifications

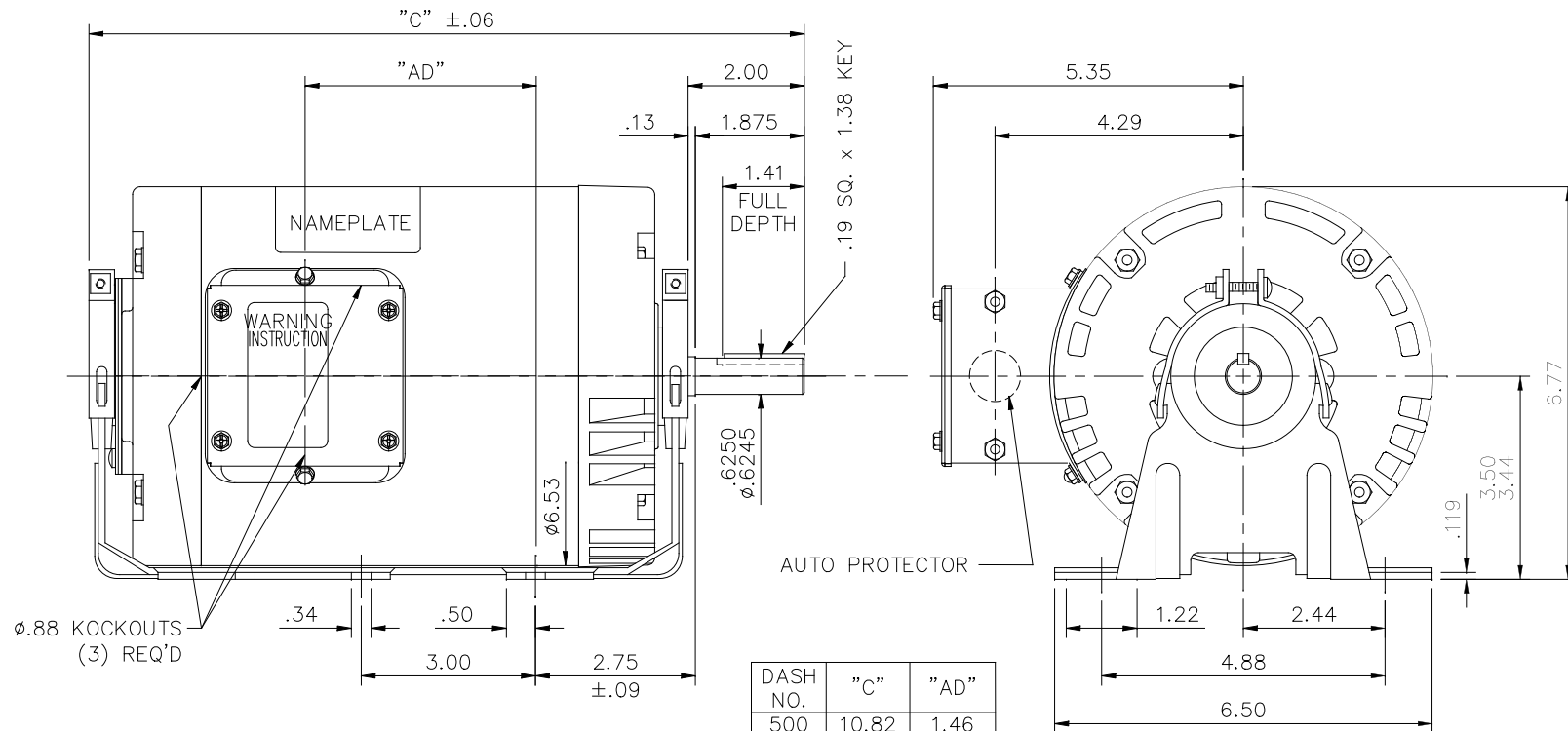
|                            |            |                        |            |
|----------------------------|------------|------------------------|------------|
| Output HP                  | 1.50 Hp    | Output KW              | 1.1 kW     |
| Frequency                  | 60 Hz      | Voltage                | 230/460 V  |
| Current                    | 4.0/2.0 A  | Speed                  | 3490 rpm   |
| Service Factor             | 1.15       | Phase                  | 3          |
| Efficiency                 | 84 %       | Duty                   | Continuous |
| Insulation Class           | B          | Design Code            | B          |
| KVA Code                   | M          | Frame                  | 56         |
| Enclosure                  | Drip Proof | Overload Protector     | Automatic  |
| Ambient Temperature        | 40 °C      | Drive End Bearing Size | 6203       |
| Opp Drive End Bearing Size | 6203       | UL                     | Recognized |
| CSA                        | Y          | CE                     | N          |
| IP Code                    | 22         |                        |            |

### Technical Specifications


|                       |                             |                       |                 |
|-----------------------|-----------------------------|-----------------------|-----------------|
| Electrical Type       | Squirrel Cage Induction Run | Starting Method       | Across The Line |
| Poles                 | 2                           | Rotation              | Reversible      |
| Mounting              | Resilient Base              | Motor Orientation     | HORIZONTAL      |
| Drive End Bearing     | BALL                        | Opp Drive End Bearing | BALL            |
| Frame Material        | Rolled Steel                | Shaft Type            | NEMA 56         |
| Overall Length        | 12.32 in                    | Frame Length          | 6.50 in         |
| Shaft Diameter        | 0.625 in                    | Shaft Extension       | 1.88 in         |
| Assembly/Box Mounting | F1 ONLY                     |                       |                 |
| Outline Drawing       | 607-0266-650                | Connection Diagram    | 005020.02       |

This is an uncontrolled document once printed or downloaded and is subject to change without notice. Date Created: 10/15/2018

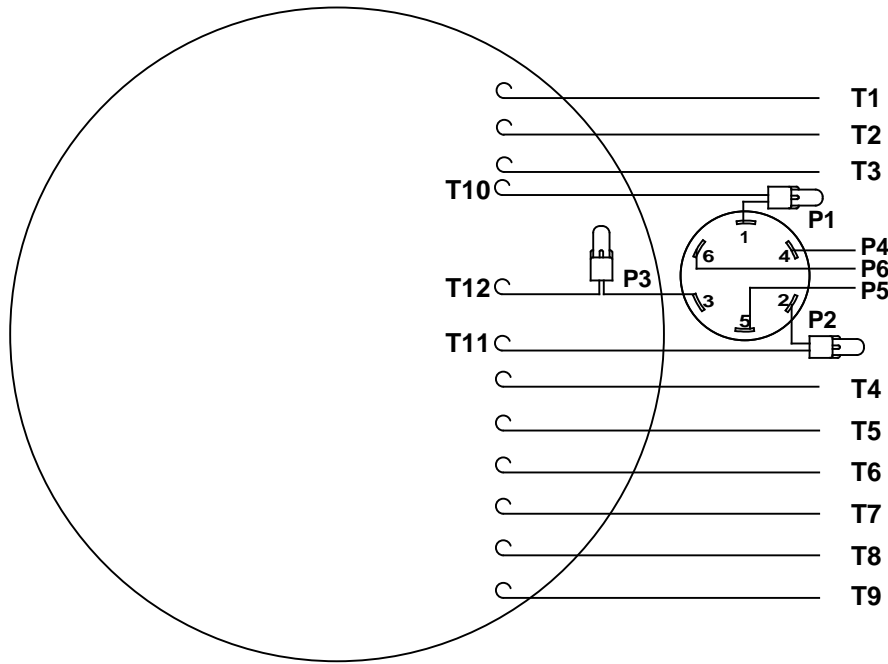
607-0266



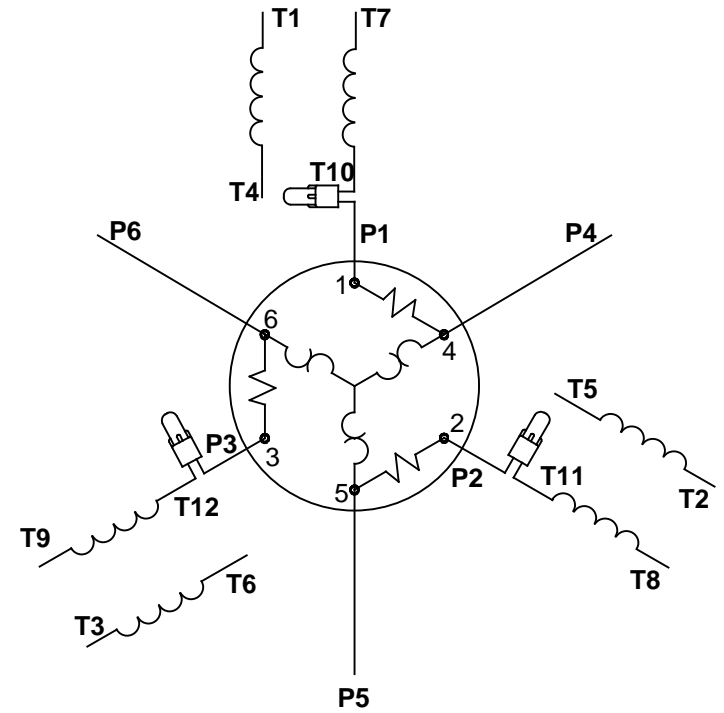
| DASH NO. | "C"   | "AD" |
|----------|-------|------|
| 500      | 10.82 | 1.46 |
| 550      | 11.32 | 1.96 |
| 600      | 11.82 | 2.46 |
| 650      | 12.32 | 2.96 |
| 700      | 13.82 | 3.46 |
| 750      | 14.32 | 3.96 |
| 800      | 14.82 | 4.46 |
| 850      | 15.32 | 4.96 |

|  |                        |             |     |                             |          |   |  |                    |             |
|--|------------------------|-------------|-----|-----------------------------|----------|---|--|--------------------|-------------|
|  |                        |             |     | TOLERANCES UNLESS SPECIFIED |          |  ELECTRIC MOTORS<br>GEARMOTORS<br>AND DRIVES |  | DRAWN PK 09/03/16  |             |
|  |                        |             |     | DEC.                        | INCHES   |   |  | CHK                | APPD        |
|  |                        |             |     | .X                          | ±.1      | TITLE   |  | SCALE 3=8          |             |
|  |                        |             |     | .XX                         | ±.03     |   |  | OUTLINE - 56 FRAME |             |
| B  | ADDED DASH # 800 & 850 | PK 11/16/16 | PK  | .XXX                        | ±.005    | DRIP PROOF - RESILIENT BASE   |  | PREV               |             |
| A  | NEW DRAWING            | PK 09/03/16 | PK  | .XXXX                       | ±.0005   | GENERAL PURPOSE   |  | FMF                |             |
| NO.  | REVISION               | BY & DATE   | CHK | ANG                         | ±1/2'    | FINISH  |  | REV.               |             |
| THIS DRAWING IN DESIGN AND DETAIL IS OUR PROPERTY AND MUST NOT BE USED EXCEPT IN CONNECTION WITH OUR WORK ALL RIGHTS OF DESIGN AND INVENTION ARE RESERVED THIS IS AN ELECTRONICALLY GENERATED DOCUMENT - DO NOT SCALE THIS PRINT |                        |             |     | RFP                         | CAD FILE | 607-0266  |  | SIZE               | DRAWING NO. |
|  |                        |             |     | DIST                        | BRF      |   |  | A                  | 607-0266    |
|  |                        |             |     |                             |          |   |  |                    | B           |

VIEW FROM OUTSIDE OF MOTOR AT SWITCH END.



LINE LEADS



RBC PROPRIETARY AND CONFIDENTIAL INFORMATION  
 This document is the property of REGAL BELOIT CORPORATION ("RBC") including its subsidiaries and divisions and contains proprietary information of RBC. This document is loaned on the express condition that neither it nor the information contained therein shall be disclosed to others without the express written consent of RBC, and that the information shall be used by the recipient only as approved expressly by RBC. This document shall be returned to RBC upon its request. This document may be subject to certain restrictions under U.S. export control laws and regulations.

| VOLTAGE | L1    | L2    | L3    | JOIN                          | SEPARATE          |
|---------|-------|-------|-------|-------------------------------|-------------------|
| HIGH    | T1    | T2    | T3    | (T4,T7)<br>(T5,T8)<br>(T6,T9) | (P4) (P5)<br>(P6) |
| LOW     | T1,T7 | T2,T8 | T3,T9 | (T4,P4)<br>(T5,P5)<br>(T6,P6) |                   |

|                        |                                |               |     |                             |        |  |  |                    |  |
|------------------------|--------------------------------|---------------|-----|-----------------------------|--------|--|--|--------------------|--|
|                        |                                |               |     | TOLERANCES UNLESS SPECIFIED |        | LEESON ELECTRIC MOTORS GEARMOTORS AND DRIVES |  | DRAWN VJB 02/18/11 |  |
|                        |                                |               |     | DEC                         | INCHES |  |  | CHK                |  |
|                        |                                |               |     | .X                          | ±.1    |  |  | APPR               |  |
|                        |                                |               |     | .XX                         | ±.01   | TITLE  |  | SCALE 1:1          |  |
|                        |                                |               |     | .XXX                        | ±.005  | EXTERNAL WIRING DIAGRAM                      |  | REF                |  |
|                        |                                |               |     | .XXXX                       | ±.0005 | TYPE "T" W/PROTECTOR                         |  | FMF                |  |
| 02                     | ADDED REV TO AGREE WITH ORACLE | ARV 4/26/2011 | KH  | .XXXX                       | ±.0005 | MAT'L DECAL - 004023-01                      |  | PAGE OF            |  |
| NO                     | REVISION                       | BY & DATE     | CHK | ANG                         | ±1/2°  | FINISH                                       |  | REV                |  |
| THIRD ANGLE PROJECTION |                                |               |     | RFP                         | PREV   | SIZE   |  | DRAWING NO         |  |
|                        |                                |               |     | NETWORK FILE NAME 00502002  |        | A  |  | 005020-02          |  |
|                        |                                |               |     |                             |        |  |  | 02                 |  |

4/26/2011 5:07:39 PM

Dealers Industrial Equipment -- Visit <https://DealersElectric.com> or call (908) 688-1966 for all of your electric motor & VFD needs!

