

PRODUCT INFORMATION PACKET



Model No: A6T34DR44A
Catalog No: E113895.00
..1HP..3450RPM.56.DP.230/460V.3PH.60HZ.CONT.40C.1.25SF.RESIL..AUTOMATIC.....
Open Drip Proof (ODP)



Regal and Leeson are trademarks of Regal Beloit Corporation or one of its affiliated companies.
©2018 Regal Beloit Corporation, All Rights Reserved. MC017097E





Nameplate Specifications

Output HP	1 Hp	Output KW	0.75 kW
Frequency	60 Hz	Voltage	230/460 V
Current	3.2/1.6 A	Speed	3450 rpm
Service Factor	1.25	Phase	3
Efficiency	77 %	Duty	Continuous
Insulation Class	B	Design Code	B
KVA Code	J	Frame	56
Enclosure	Drip Proof	Overload Protector	Automatic
Ambient Temperature	40 °C	Drive End Bearing Size	6203
Opp Drive End Bearing Size	6203	UL	Recognized
CSA	Y	CE	N
IP Code	22		

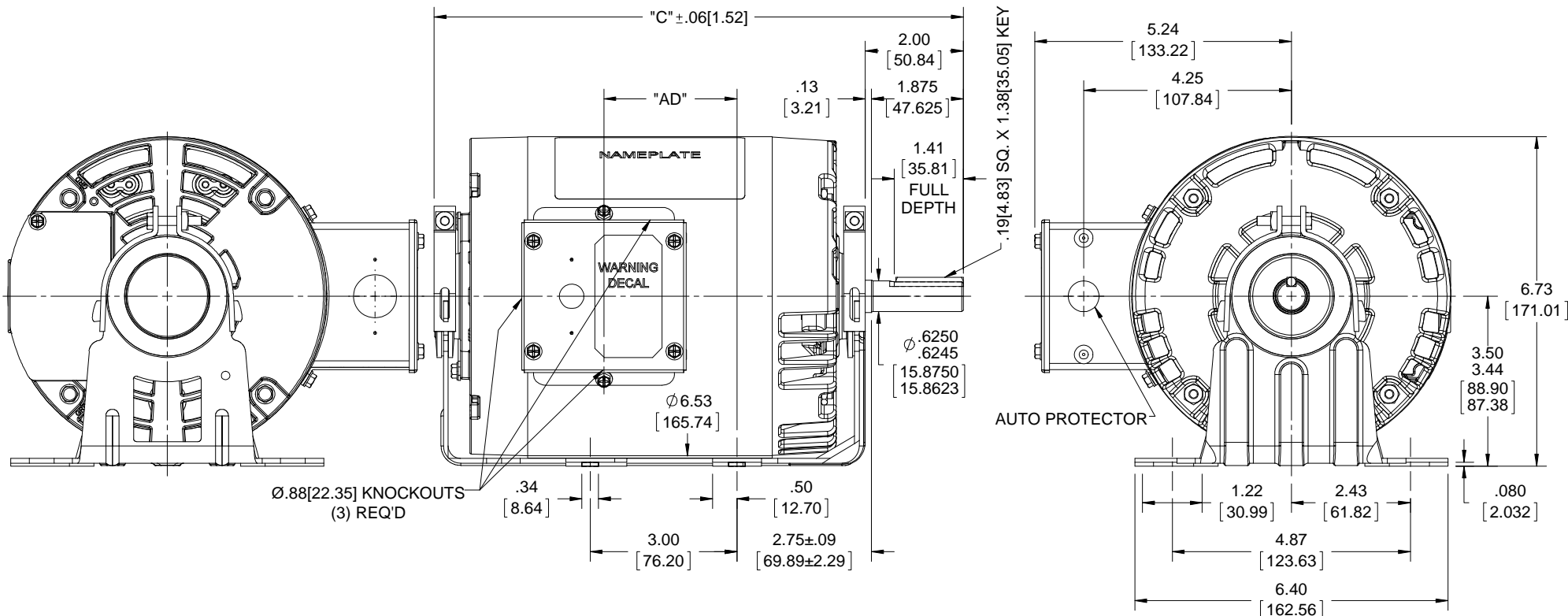
Technical Specifications

Electrical Type	Squirrel Cage Induction Run	Starting Method	Across The Line
Poles	2	Rotation	Reversible
Mounting	Resilient Base	Motor Orientation	HORIZONTAL
Drive End Bearing	BALL	Opp Drive End Bearing	BALL
Frame Material	Rolled Steel	Shaft Type	NEMA 56
Overall Length	10.82 in	Frame Length	5.00 in
Shaft Diameter	0.625 in	Shaft Extension	1.88 in
Assembly/Box Mounting	F1 ONLY		
Outline Drawing	607-0336-500	Connection Diagram	005020.02

This is an uncontrolled document once printed or downloaded and is subject to change without notice. Date Created: 10/15/2018

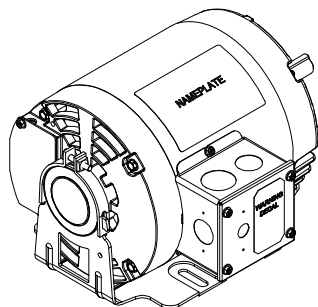
B

B



A

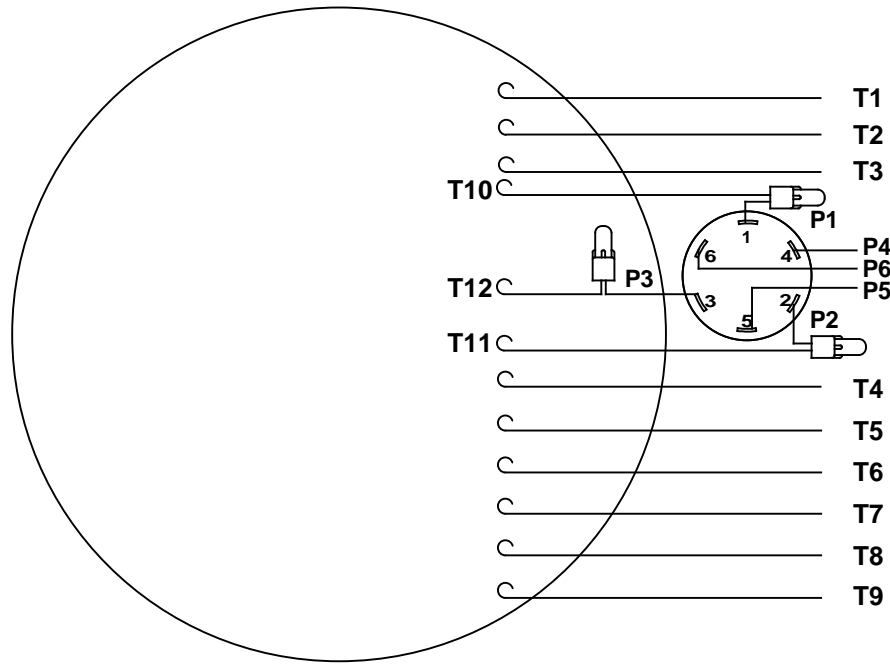
A



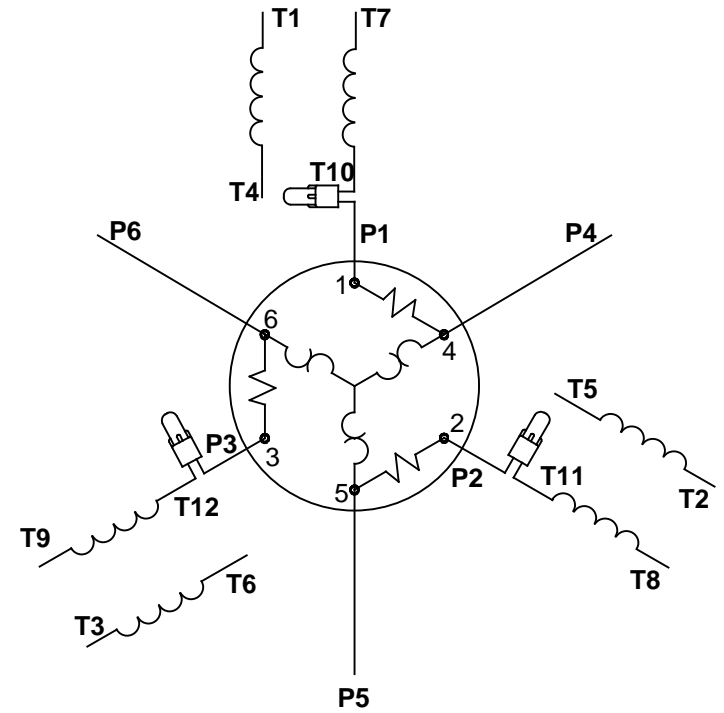
DASH NO.	"C"	"AD"
500	10.82 [274.83]	1.46 [37.08]

DRAWING REVISION A	REVISION BY	DATE	TOLERANCES UNLESS OTHERWISE SPECIFIED: DEC. INCH mm ANGLE .X ±.01 [+2.5] ±7-30° .XX ±.03 [+0.76] .XXX ±0.005 [+0.127] .XXXX ±0.0005 [+0.0127]	DRAWN BY T AHER	Regal Beloit America, Inc.
ECO ECO-0140840	APPROVED BY	DATE	REMOVE BURRS & BREAK SHARP EDGES: .003/.015 [.076/.381] X 45° CORNER FILLETS: R.02 [.51]	DATE 01/30/2018	
ECO DESCRIPTION OUTLINE CONVERSION PROJECT COPYRIGHT REGAL BELOIT AMERICA, INC. ALL RIGHTS RESERVED. PROPRIETARY AND CONFIDENTIAL INFORMATION - THIS DOCUMENT IS THE PROPERTY OF REGAL BELOIT AMERICA, INC. (OWNER) AND CONTAINS OWNER'S PROPRIETARY INFORMATION. ANY PERSON, CORPORATION OR OTHER FIRM RECEIVING IT IS DEEMED, BY RECEIVING IT, TO AGREE THAT IT, AND/OR ANY PART OF IT, SHALL NOT BE DISCLOSED TO ANY PERSON, CORPORATION OR OTHER ENTITY, DUPLICATED, AND/OR USED, EXCEPT AS EXPRESSLY APPROVED IN WRITING IN ADVANCE BY OWNER. THIS DOCUMENT SHALL BE RETURNED TO OWNER UPON REQUEST. IT MAY BE SUBJECT TO CERTAIN RESTRICTIONS UNDER APPLICABLE EXPORT CONTROL LAWS AND REGULATIONS.			MACHINED SURFACES: 200 INCH mm 5.1	APPROVED BY PK	DESCRIPTION OUTLINE 56 FRAME, DRIP PROOF - RESILIENT BASE
				DATE 03/08/2018	MATERIAL
				REFERENCE 607-0266	PROCESS/FINISH
				THIRD ANGLE PROJECTION	SIZE B
					DRAWING NUMBER 607-0336
					SHEET 1 OF 1

VIEW FROM OUTSIDE OF MOTOR AT SWITCH END.



LINE LEADS



RBC PROPRIETARY AND CONFIDENTIAL INFORMATION
 This document is the property of REGAL BELOIT CORPORATION ("RBC") including its subsidiaries and divisions and contains proprietary information of RBC. This document is loaned on the express condition that neither it nor the information contained therein shall be disclosed to others without the express written consent of RBC, and that the information shall be used by the recipient only as approved expressly by RBC. This document shall be returned to RBC upon its request. This document may be subject to certain restrictions under U.S. export control laws and regulations.

VOLTAGE	L1	L2	L3	JOIN	SEPARATE
HIGH	T1	T2	T3	(T4,T7) (T5,T8) (T6,T9)	(P4) (P5) (P6)
LOW	T1,T7	T2,T8	T3,T9	(T4,P4) (T5,P5) (T6,P6)	

				TOLERANCES UNLESS SPECIFIED		LEESON ELECTRIC MOTORS GEARMOTORS AND DRIVES		DRAWN VJB 02/18/11	
				DEC	INCHES			CHK	
				.X	±.1			APPR	
				.XX	±.01	TITLE EXTERNAL WIRING DIAGRAM		SCALE 1:1	
				.XXX	±.005	TYPE "T" W/PROTECTOR		REF	
02	ADDED REV TO AGREE WITH ORACLE	ARV 4/26/2011	KH	.XXXX	±.0005	MAT'L DECAL - 004023-01		FMF	
NO	REVISION	BY & DATE	CHK	ANG	±1/2°	FINISH		PAGE OF	
THIRD ANGLE PROJECTION				RFP	PREV	SIZE A		DRAWING NO	
				NETWORK FILE NAME 00502002		A		005020-02	
								REV 02	

4/26/2011 5:07:39 PM

Dealers Industrial Equipment -- Visit <https://DealersElectric.com> or call (908) 688-1966 for all of your electric motor & VFD needs!



P.O. BOX 8003
WAUSAU, WI 54401-8003
PH. 715-675-3311

DATA VOLTS: 460

CERTIFICATION DATA SHEET

CONN. DIAGRAM: 005020.02
OUTLINE: 607-0266-500
WINDING: T632161

CAT #: E113895.00

DR 5

TYPICAL MOTOR PERFORMANCE DATA

HP	KW	SYNC RPM	FL RPM	FRAME	ENCLOSURE	TYPE	KVA CODE	DESIGN						
1	0.75	3600	3460	56	DP	NA	J	B						
PH	HZ	VOLTS	AMPS	START TYPE	DUTY	INSL	S.F.	AMB	ELEV.					
3	60/50	230/460#190/380	3.2/1.683.6/1.8	ACROSS THE LINE	CONT	B	1.15	40	3300					
F.L. EFF	F.L. PF	77.1	80.0	3/4 LD EFF	3/4 LD PF	75.2	74.3	1/2 LD EFF	1/2 LD PF	69.5	62.6	0.0	ELECT. TYPE	SO CAGE IND RUN
F.L. TORQUE	LR AMPS @ 460 V	10.0	3.6	LB-FT	232%	5.0	LB-FT	B.D. TORQUE	323%	53	F.L. RISE (°C)			
PRESSURE @ 3	0 DBA	9 DBA	0.03	ROTOR WK²	LB-FT²	0	LB-FT²	SAFE STALL TIME	SEC.	STARTS/HOUR	0	MOTOR WGT	0 LB.	

*** SUPPLEMENTAL INFORMATION ***

DE BRACKET TYPE	ODE BRACKET TYPE	MOUNT TYPE	MOTOR ORIENTATION	SEVERE DUTY	HAZARDOUS LOCATION	DRIIP COVER	SCREENS	PAINT
STANDARD	STANDARD	SILENT BA	HORIZONTAL	NO	NONE	NO	NONE	N - LEESON WATTS
BEARINGS DE	ODE	GREASE	SHAFT TYPE	SPECIAL DE	SPECIAL ODE	SHAFT COVER	MATERIAL	FRAME MATERIAL
BALL 6203	BALL 6203	POLYREX EM	STANDARD 56	NONE	NONE	1144 STRESSPROOF (C-223)	ROLLED STEEL	
THERMOSTATS	PROTECTORS	WIDG RTD's	BRG RTD's	THERMISTORS	CONTROL	SPACE HEATERS		
NONE	AUTOMATIC	NONE	NONE	NONE	FALSE	NA		
R1 (ohms/ph)	R2 (ohms/ph)	X1 (ohms/ph)	X2 (ohms/ph)	Xm (ohms/ph)	VIBRATION (in/sec)	FLOAT ODE		
0	0	0	0	0	0.150			

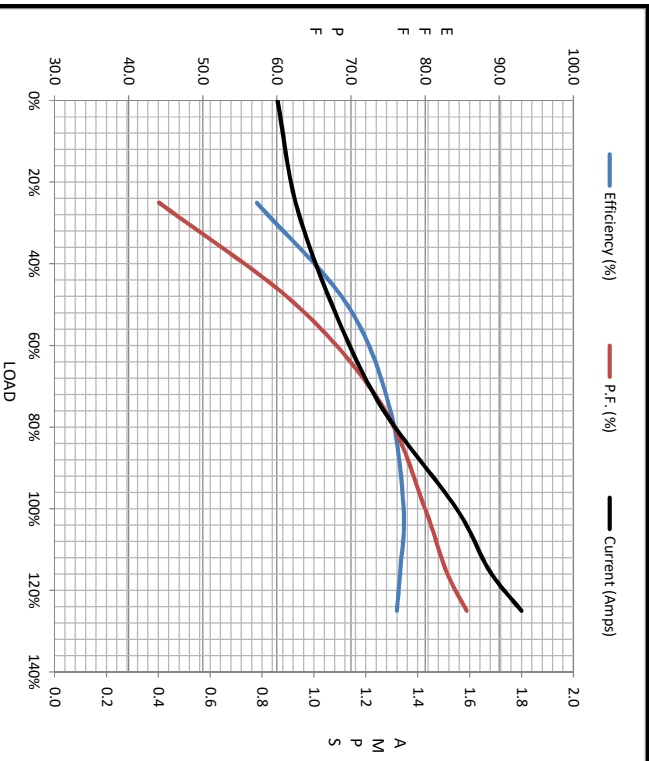
* NOT TESTED		INVERTER TORQUE: NONE	
		INV. HP SPEED RANGE: NONE	
		ENCODER: NONE	
		BRAKE: NONE	
		FT-LB: NONE	
		VOLTAGE: NONE	
		UL: Y-(LEESON UL REC)	

DATE:	1/30/2018	HZ:	
-------	-----------	-----	--



Motor Load Data						
Load	0%	25%	50%	75%	100%	LR
Current (Amps)	0.86	0.93	1.07	1.26	1.55	10.0
Torque (ft-lb)	0.00	0.37	0.74	1.13	1.55	3.6
HPM	3600	3563	3530	3495	3460	0
Efficiency (%)		57.3	69.5	75.2	77.1	76.7
P.F. (%)	23.1	44.1	62.6	74.3	80.0	82.8

Motor Speed Data						Information Block																										
	LR	Pull-Up	BD	Rated	Idle	HP	Sync. RPM	Frame	Enclosure	Construction	Voltage	Frequency	Design	LR Code letter	Service Factor	Temp Rise @ FL	Duty	Ambient	Elevation	Rotor/Shaft wk ²	Ref Wdg	Sound Pressure @ 1M	VFD Rating	Outline Dwg	Conn. Diag	Additional Specifications:	R1	R2	X1	X2	Xm	
Speed (RPM)	0	200	2600	3460	3600	1.0	3600	140	DP	NA	230/460#190/380	60	B	J	1.15	53	CONT	40	1,000	0.03	DR	0	NONE	607-0266-500	005020.02		0.0000	0.0000	0.0000	0.0000	0.0000	
Current (Amps)	10.0	9.2	6.0	1.55	0.86																											
Torque (ft-lb)	3.6	3.5	5.0	1.55	0.00																											



EQUIV CKT (OHMS / PHASE)			
R1	R2	X1	Xm
0.0000	0.0000	0.0000	0.0000

