

# PRODUCT INFORMATION PACKET



Model No: M6K34DB35A

Catalog No: E113631.00

..1 1/2HP..3450RPM.56.DP.115/230V.1PH.60HZ.CONT.40C.1.15SF.RIGID.....GENERAL  
PURPOSE.MANUAL.....

Open Drip Proof (ODP)



Regal and Leeson are trademarks of Regal Beloit Corporation or one of its affiliated companies.

©2018 Regal Beloit Corporation, All Rights Reserved. MC017097E





### Nameplate Specifications

Output HP	1.50 Hp	Output KW	1.1 kW
Frequency	60 Hz	Voltage	115/230 V
Current	12.2/6.1 A	Speed	3450 rpm
Service Factor	1.15	Phase	1
Efficiency	81.5 %	Duty	Continuous
Insulation Class	B	Design Code	L
KVA Code	J	Frame	56
Enclosure	Drip Proof	Overload Protector	Manual
Ambient Temperature	40 °C	Drive End Bearing Size	6203
Opp Drive End Bearing Size	6203	UL	Recognized
CSA	Y	CE	N
IP Code	22		

### Technical Specifications

Electrical Type	Capacitor Start Capacitor Run	Starting Method	Across The Line
Poles	2	Rotation	Selective Counterclockwise
Mounting	Rigid base	Motor Orientation	HORIZONTAL
Drive End Bearing	BALL	Opp Drive End Bearing	BALL
Frame Material	Rolled Steel	Shaft Type	NEMA 56
Overall Length	12.37 in	Frame Length	7.50 in
Shaft Diameter	0.625 in	Shaft Extension	1.88 in
Assembly/Box Mounting	F1 ONLY		
Outline Drawing	607-0269-750C	Connection Diagram	005053.01

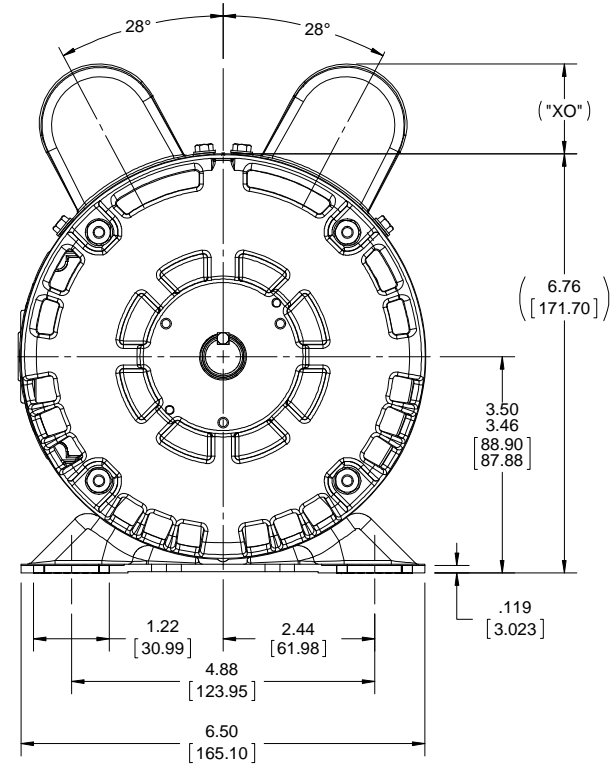
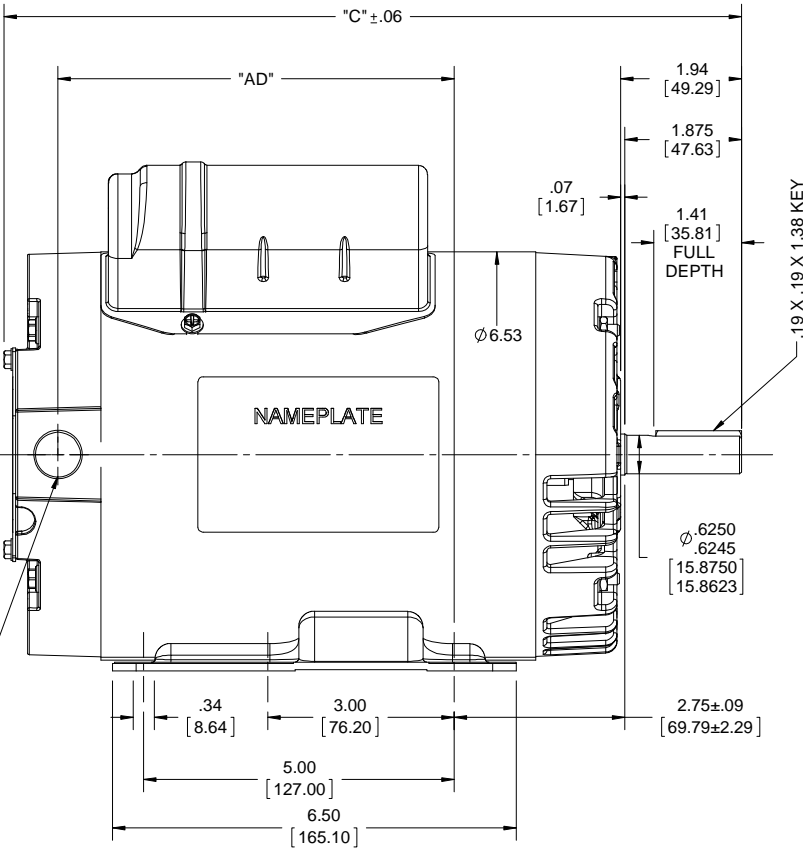
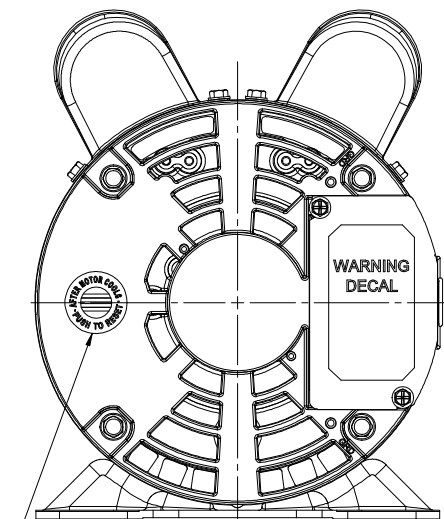
This is an uncontrolled document once printed or downloaded and is subject to change without notice. Date Created: 10/15/2018

B

B

A

A



DASH	"C"	"AD"	CAP. DASH		"XO"
500	9.87	4.38			
550	10.37	4.88			
600	10.87	5.38			
650	11.37	5.88			
700	11.87	6.38	A		1.01
750	12.37	6.88	B		1.45
800	12.87	7.38	C		1.68

4

DRAWING REVISION B	REVISION BY AS	DATE 05/09/2018
ECO ECO-0144726	APPROVED BY AS	DATE 05/09/2018
ECO DESCRIPTION CAP. DASH TABLE VALUE CORRECTED.		
<small>           PROPRIETARY AND CONFIDENTIAL INFORMATION - THIS DOCUMENT IS THE PROPERTY OF REGAL BELOIT AMERICA, INC. ("OWNER") AND CONTAINS OWNER'S PROPRIETARY INFORMATION. ANY PERSON, CORPORATION OR OTHER FIRM RECEIVING IT IS DEEMED, BY RECEIVING IT, TO AGREE THAT IT, AND/OR ANY PART OF IT, SHALL NOT BE DISCLOSED TO ANY PERSON, CORPORATION OR OTHER ENTITY, DUPLICATED, AND/OR USED, EXCEPT AS EXPRESSLY APPROVED IN WRITING IN ADVANCE BY OWNER. THIS DOCUMENT SHALL BE RETURNED TO OWNER UPON REQUEST. IT MAY BE SUBJECT TO CERTAIN RESTRICTIONS UNDER APPLICABLE EXPORT CONTROL LAWS AND REGULATIONS.         </small>		

3

TOLERANCES UNLESS OTHERWISE SPECIFIED:			
DEC.	INCH	mm	ANGLE
.X	±0.1	[±2.5]	±0.5°
.XX	±0.03	[±0.76]	
.XXX	±0.005	[±0.127]	
.XXXX	±0.0005	[±0.0127]	
REMOVE BURRS & BREAK SHARP EDGES: .003/.015 [0.076/.381] X 45° CORNER FILLETS: R.02 [51]			
MACHINED SURFACES: 125/3.2			
mm SHOWN IN [BRACKETS]			

2

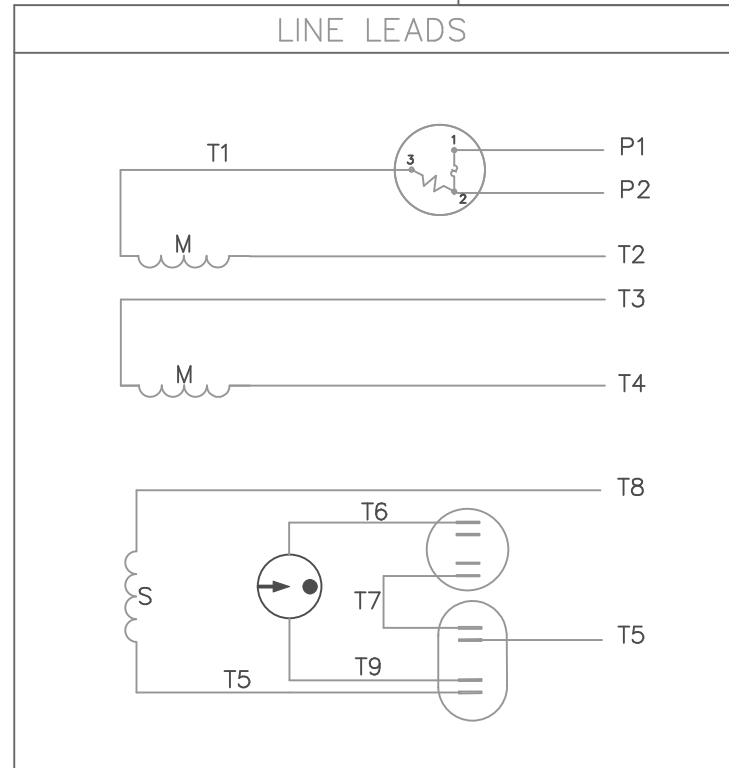
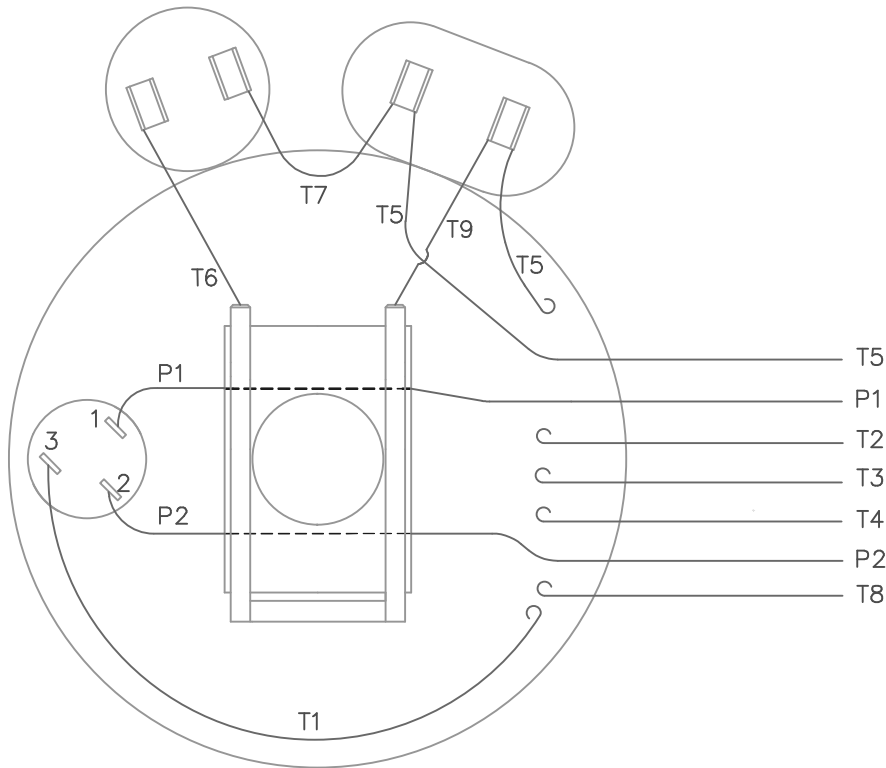
DRAWN BY PK	DATE 10/17/2016
APPROVED BY PK	DATE 10/17/2016
REFERENCE 032658.00	THIRD ANGLE PROJECTION

Regal Beloit America, Inc.	
DESCRIPTION <b>OUTLINE</b> DRIP PROOF - RIGID 56H FRAME	
MATERIAL	PROCESS/FINISH
SIZE B	DRAWING NUMBER <b>607-0269</b>
	SHEET 1 OF 1

1

ORACLE  
PART REV.  
001

VIEW FROM OUTSIDE OF MOTOR AT SWITCH END.



	ROTATION FACING LEAD END	L1	L2	JOIN	INSULATE SEPARATELY
HIGH VOLT	C.C.W.	P1	T4 T5	T2,T3 T8	P2
	C.W.	P1	T4 T8	T2,T3 T5	P2
LOW VOLT	C.C.W.	P1	T2,T4 T5	P2,T3 T8	---
	C.W.	P1	T2,T4 T8	P2,T3 T5	---

				TOLERANCES UNLESS OTHERWISE SPECIFIED	
				DECIMALS	
				.00	± .01
				.000	± .005
18	REDRAWN ON CAD	DBT	05/27/97	.0000	± .0005
NO.	REVISION	BY	DATE	FRACTIONS	± 1/64
				ANGLES	± 1/2°
				INCH/MM	

**LEESON** ELECTRIC CORPORATION

DRAWN JRW 09/26/74	TITLE	EXTERNAL WIRING DIAGRAM TYPE "K" W/PROTECTOR
CH'K'D.	MAT'L.	DECAL 004011
APPR. TEM	SCALE 1=1	<b>BRF</b>
REF. 005004	FINISH	
FMF W-K 6341	SIZE A	DRAWING NO. 005053-01

THIS DRAWING IN DESIGN AND DETAIL IS OUR PROPERTY AND MUST NOT BE USED EXCEPT IN CONNECTION WITH OUR WORK ALL RIGHTS OF DESIGN AND INVENTION ARE RESERVED



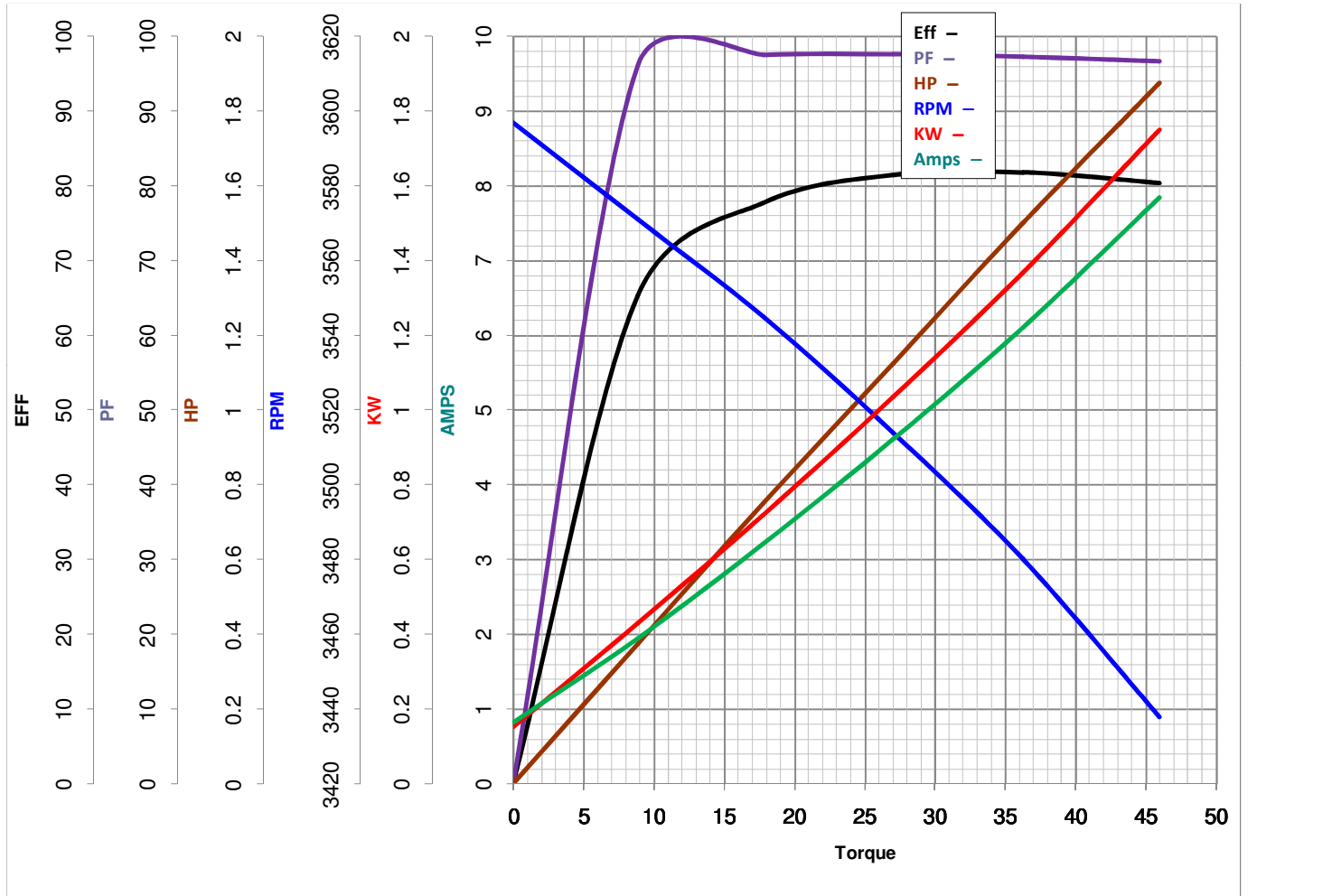
**LEESON ELECTRIC CORPORATION**  
 TYPICAL PERFORMANCE CURVE for AC MOTOR

Model No E113631.00

Curve at 230 Volts      HP 1.50      PHASE 1  
60 HZ  
1.5 HP      VOLTS 115/230

Catalog No E113631.00

HZ 60      RPM 3450



Torque in lb-Ft

FL TORQUE 36.25 lb-Ft  
 BD TORQUE 83.5 lb-Ft  
 LR TORQUE 106.5 lb-Ft

FL AMPS 12.2/6.1  
 PU TORQUE 82.3 lb-Ft  
 LR AMPS 43.48

WINDING K632185-3

Date 3/26/2018