

# PRODUCT INFORMATION PACKET



Model No: C6K17DR43A

Catalog No: E113027.00

E113027.00..1HP..1725RPM.56H.DP.115/230V.1PH.60HZ.CONT.40C.1.15SF.RESILIENT  
BASE.C6K17DR43.....GENERAL PURPOSE.NONE.....

Open Drip Proof (ODP)



Regal and Leeson are trademarks of Regal Beloit Corporation or one of its affiliated companies.

©2018 Regal Beloit Corporation, All Rights Reserved. MC017097E



**Product Information Packet: Model No: C6K17DR43A, Catalog No:E113027.00  
E113027.00..1HP..1725RPM.56H.DP.115/230V.1PH.60HZ.CONT.40C.1.15SF.RESILIENT  
BASE.C6K17DR43.....GENERAL PURPOSE.NONE.....**



### Nameplate Specifications

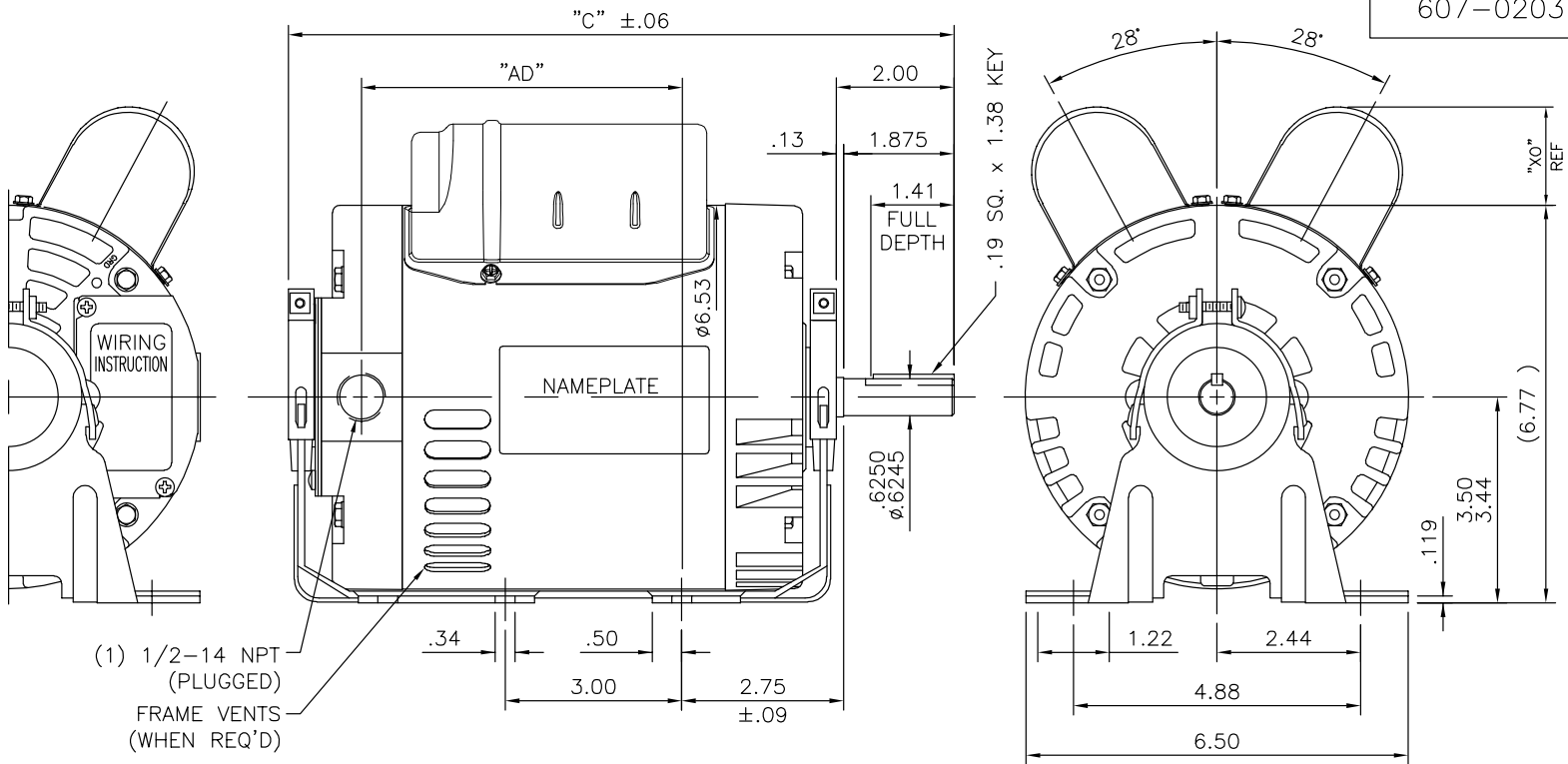
Output HP	<b>1 Hp</b>	Output KW	<b>0.75 kW</b>
Frequency	<b>60 Hz</b>	Voltage	<b>115/230 V</b>
Current	<b>8.4/4.2 A</b>	Speed	<b>1725 rpm</b>
Service Factor	<b>1.15</b>	Phase	<b>1</b>
Efficiency	<b>82.6 %</b>	Duty	<b>Continuous</b>
Insulation Class	<b>F</b>	Design Code	<b>L</b>
KVA Code	<b>J</b>	Frame	<b>56H</b>
Enclosure	<b>Drip Proof</b>	Overload Protector	<b>No</b>
Ambient Temperature	<b>40 °C</b>	Drive End Bearing Size	<b>6203</b>
Opp Drive End Bearing Size	<b>6203</b>	UL	<b>Recognized</b>
CSA	<b>Y</b>	CE	<b>Y</b>
IP Code	<b>22</b>		

### Technical Specifications

Electrical Type	<b>Capacitor Start Capacitor Run</b>	Starting Method	<b>Across The Line</b>
Poles	<b>4</b>	Rotation	<b>Selective Counterclockwise</b>
Mounting	<b>Resilient Base</b>	Motor Orientation	<b>HORIZONTAL</b>
Drive End Bearing	<b>BALL</b>	Opp Drive End Bearing	<b>BALL</b>
Frame Material	<b>Rolled Steel</b>	Shaft Type	<b>NEMA 56</b>
Overall Length	<b>12.82 in</b>	Frame Length	<b>7.00 in</b>
Shaft Diameter	<b>0.625 in</b>	Shaft Extension	<b>1.88 in</b>
Assembly/Box Mounting	<b>F1 ONLY</b>		
Outline Drawing	<b>607-0203-700B</b>	Connection Diagram	<b>005054.01</b>

**This is an uncontrolled document once printed or downloaded and is subject to change without notice. Date Created: 10/15/2018**

607-0203



DASH NO.	"C"	"AD"	DASH NO.	"C"	"AD"
500	10.82	4.96	800	13.82	7.96
550	11.32	5.46	850	14.32	8.46
600	11.82	5.96			
650	12.32	6.46			
700	12.82	6.96			
750	13.32	7.46			

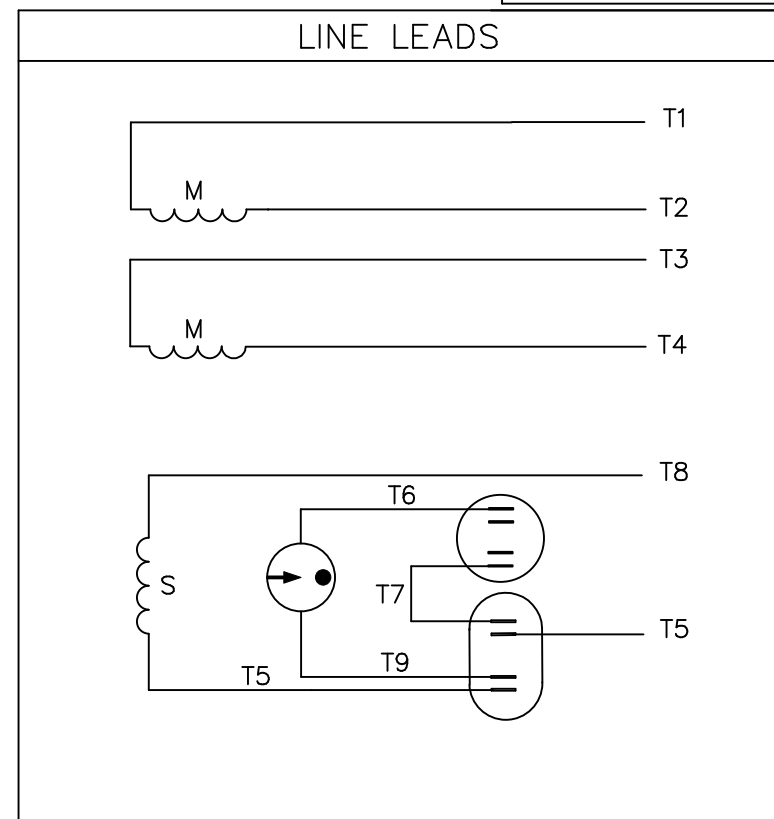
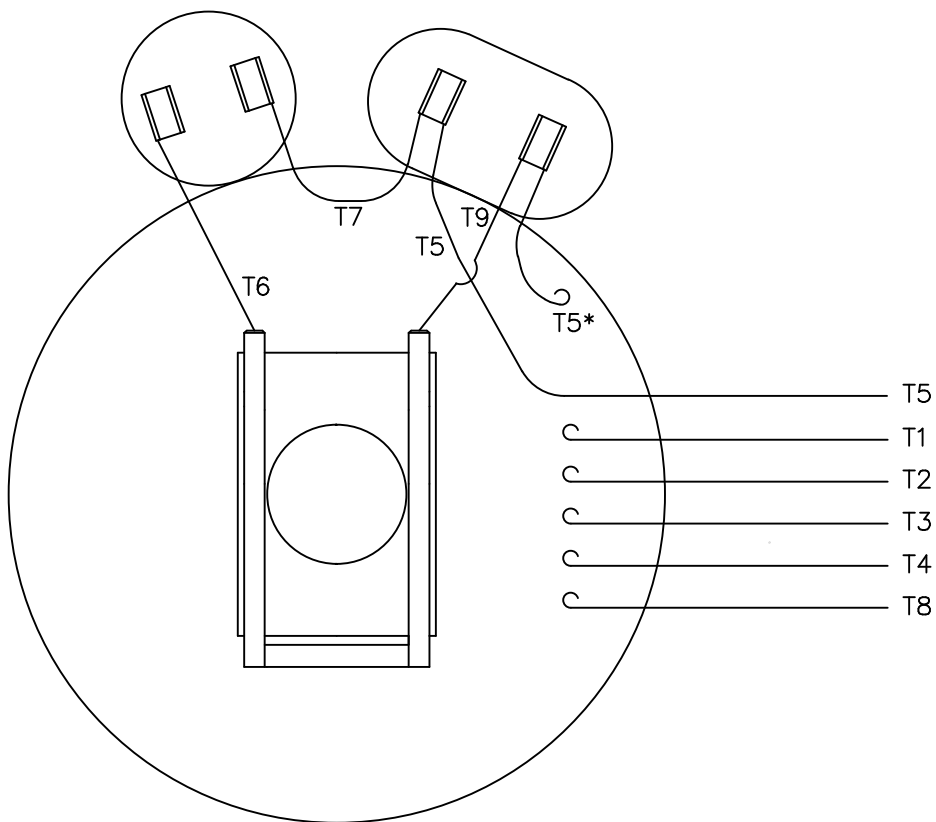
CAP DASH	"XO"
A	1.15
B	1.60
C	1.82

ORACLE PART REV.
000

NO.		REVISION		BY & DATE		TOLERANCES UNLESS SPECIFIED		REGAL™ Regal Beloit America, Inc.		DRAWN JD 03/03/2015	
						DEC.	INCHES	TITLE		CHK	
						.X	±.1	OUTLINE - 56 FRAME		APPD	
						.XX	±.03	DRIP PROOF - RESILIENT BASE		SCALE	3=8
						.XXX	±.005	GENERAL PURPOSE		REF	032510
						.XXXX	±.0005	FINISH		FMF	E113027.00
						CHK	ANG ±1/2"	CAD FILE		PREV	
						RFP		607-0203		SIZE	DRAWING NO.
						DIST				A	607-0203
										REV.	

THIS DRAWING IN DESIGN AND DETAIL IS OUR PROPERTY AND MUST NOT BE USED EXCEPT IN CONNECTION WITH OUR WORK ALL RIGHTS OF DESIGN AND INVENTION ARE RESERVED THIS IS AN ELECTRONICALLY GENERATED DOCUMENT - DO NOT SCALE THIS PRINT

VIEW FROM OUTSIDE OF MOTOR AT SWITCH END.



	ROTATION FACING LEAD END	L1	L2	JOIN
HIGH VOLT	C.C.W.	T1	T4 T5	T2, T3 T8
	C.W.	T1	T4 T8	T2, T3 T5
LOW VOLT	C.C.W.	T1 T3, T8	T2, T4 T5	
	C.W.	T1, T3 T5	T2, T4 T8	

\* THIS LEAD MAY BE WHITE

		TOLERANCES UNLESS SPECIFIED		LEESON ELECTRIC MOTORS GEARMOTORS AND DRIVES		DRAWN JRW 09/27/74	
		DEC.	INCHES			CHK	TEM
		.X	±.1			APPD	10/11/74
11	ALTERNATE T5 LEAD MARKING WAS RED	RLW	8/6/02	.XX	±.01	SCALE	1=1
10	ADDED ALTERNATE T5 LEAD MARKING	RLW	6/5/02	KH	.XXX ±.005	REF	A-005053
09	REDRAWN TO CAD	DBT	05/28/97		.XXXX ±.0005	FMF	W-K6343
NO.	REVISION	BY & DATE	CHK	ANG	±1/2°	PREV	
THIS DRAWING IN DESIGN AND DETAIL IS OUR PROPERTY AND MUST NOT BE USED EXCEPT IN CONNECTION WITH OUR WORK ALL RIGHTS OF DESIGN AND INVENTION ARE RESERVED THIS IS AN ELECTRONICALLY GENERATED DOCUMENT - DO NOT SCALE THIS PRINT		RFP		CAD FILE	00505401	SIZE	DRAWING NO.
		DIST	BRF-NLV			A	005054-01
							REV.
							11

