

# PRODUCT INFORMATION PACKET



Model No: A6K34DR7A

Catalog No: E110479.00

..1 1/2HP..3450RPM.56H.DP.115/230V.1PH.60HZ.CONT.40C.1.15SF.RESIL...AUTOMATIC.....

Open Drip Proof (ODP)



Regal and Leeson are trademarks of Regal Beloit Corporation or one of its affiliated companies.

©2018 Regal Beloit Corporation, All Rights Reserved. MC017097E





### Nameplate Specifications

Output HP	1.50 Hp	Output KW	1.1 kW
Frequency	60 Hz	Voltage	115/230 V
Current	12.2/6.1 A	Speed	3450 rpm
Service Factor	1.15	Phase	1
Efficiency	81.5 %	Duty	Continuous
Insulation Class	B	Design Code	L
KVA Code	J	Frame	56
Enclosure	Drip Proof	Overload Protector	Automatic
Ambient Temperature	40 °C	Drive End Bearing Size	6203
Opp Drive End Bearing Size	6203	UL	Recognized
CSA	Y	CE	N
IP Code	22		

### Technical Specifications

Electrical Type	Capacitor Start Capacitor Run	Starting Method	Across The Line
Poles	2	Rotation	Selective Counterclockwise
Mounting	Resilient Base	Motor Orientation	HORIZONTAL
Drive End Bearing	BALL	Opp Drive End Bearing	BALL
Frame Material	Rolled Steel	Shaft Type	NEMA 56
Overall Length	13.32 in	Frame Length	7.50 in
Shaft Diameter	0.625 in	Shaft Extension	1.88 in
Assembly/Box Mounting	F1 ONLY		
Outline Drawing	607-0258-750C	Connection Diagram	005053.01

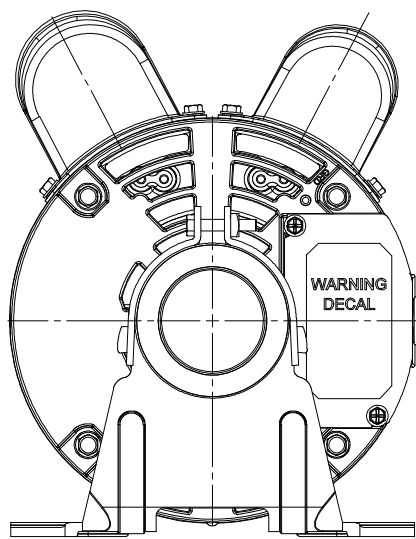
This is an uncontrolled document once printed or downloaded and is subject to change without notice. Date Created: 10/15/2018

B

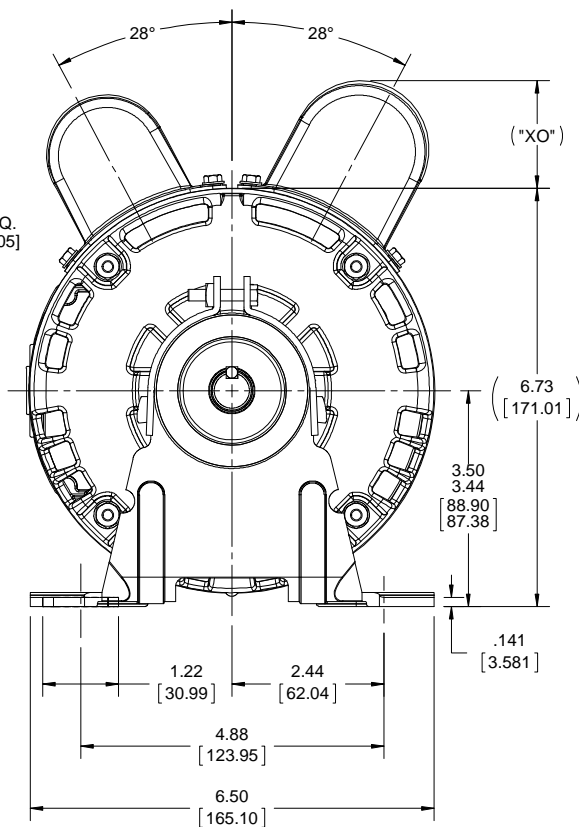
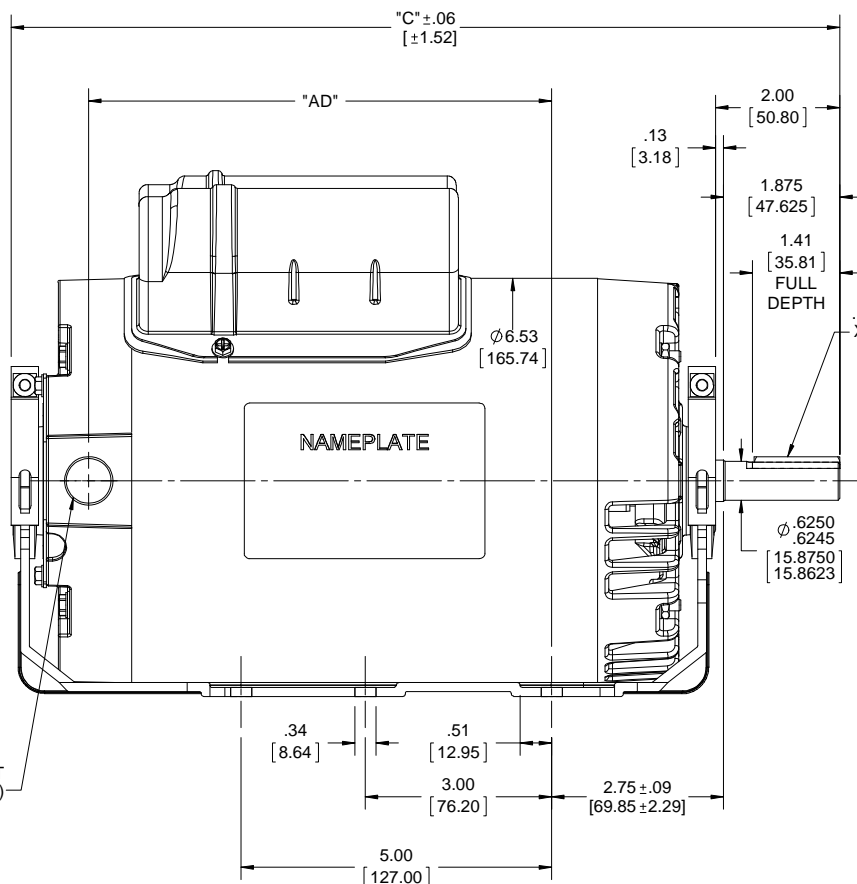
A

B

A



(1) 1/2-14 NPT (PLUGGED)



NOTE: AUTO PROTECTOR INSIDE LEAD END ENDBELL.

DASH NO.	"C"	"AD"	CAP DASH	"XO"
500	10.84[275.33]	4.95[125.73]		
550	11.34[288.03]	5.45[138.43]		
600	11.84[300.73]	5.95[151.13]		
650	12.34[313.43]	6.45[163.83]	A	1.15[29.21]
700	12.84[326.13]	6.95[176.53]	B	1.50[38.01]
750	13.34[338.83]	7.45[189.23]	C	1.73[43.94]
800	13.84[351.53]	7.95[201.93]		
850	14.34[364.23]	8.45[214.63]		

DRAWING REVISION C	REVISION BY A.KEETHA	DATE 05/04/2018
ECO ECO-0148826	APPROVED BY PK	DATE 07/16/2018
ECO DESCRIPTION OUTLINE CONVERSION PROJECT		
<small>COPYRIGHT REGAL BELOIT AMERICA, INC. ALL RIGHTS RESERVED.          PROPRIETARY AND CONFIDENTIAL INFORMATION - THIS DOCUMENT IS THE PROPERTY OF          REGAL BELOIT AMERICA, INC. ("OWNER") AND CONTAINS OWNER'S PROPRIETARY          INFORMATION. ANY PERSON, CORPORATION OR OTHER FIRM RECEIVING IT IS DEEMED,          BY RECEIVING IT, TO AGREE THAT IT, AND/OR ANY PART OF IT, SHALL NOT BE DISCLOSED          TO ANY PERSON, CORPORATION OR OTHER ENTITY, DUPLICATED, AND/OR USED, EXCEPT          AS EXPRESSLY APPROVED IN WRITING IN ADVANCE BY OWNER. THIS DOCUMENT SHALL          BE RETURNED TO OWNER UPON REQUEST. IT MAY BE SUBJECT TO CERTAIN          RESTRICTIONS UNDER APPLICABLE EXPORT CONTROL LAWS AND REGULATIONS.</small>		

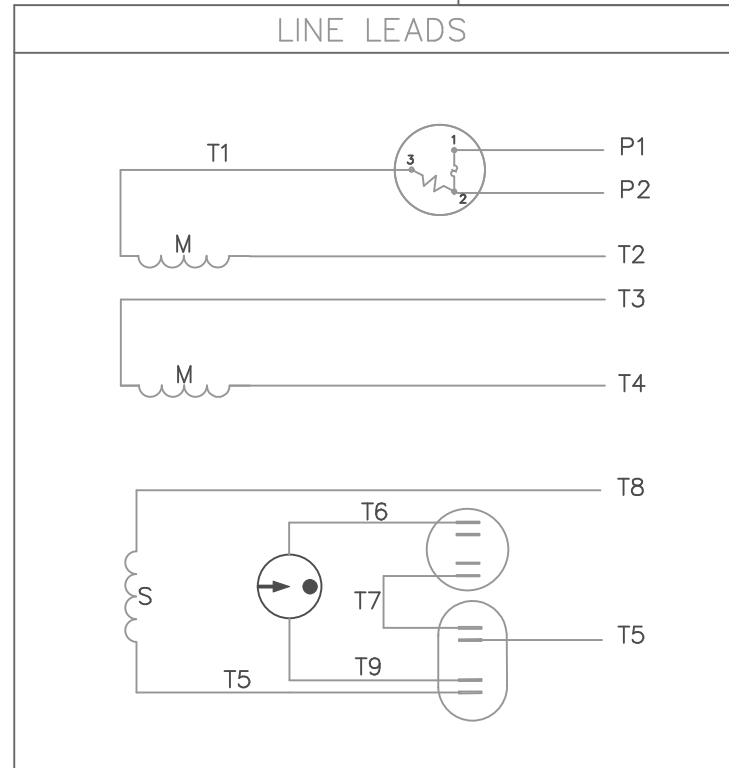
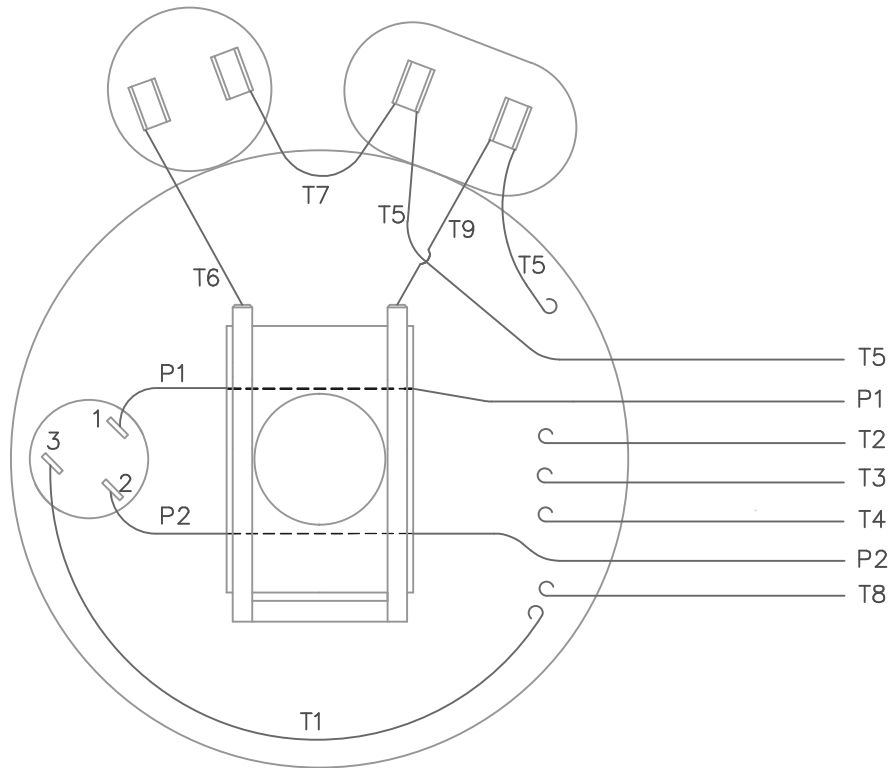
TOLERANCES UNLESS OTHERWISE SPECIFIED:			
DEC.	INCH	mm	ANGLE
.X	±0.1	[±2.5]	±0.5°
.XX	±0.03	[±0.76]	
.XXX	±0.005	[±0.127]	
.XXXX	±0.0005	[±0.0127]	
REMOVE BURRS & BREAK SHARP EDGES: .003/.015 [0.076/.381] X 45°			
CORNER FILLETS: R.02 [51]			
MACHINED SURFACES: 125/3.2 INCH/mm			
mm SHOWN IN [BRACKETS]			

DRAWN BY PK	DATE 08/16/2016
APPROVED BY	DATE
REFERENCE 607-0258	THIRD ANGLE PROJECTION

Regal Beloit America, Inc.	
DESCRIPTION OUTLINE 56H FRAME DRIP PROOF-RESILIENT BASE	
MATERIAL	PROCESS/FINISH
SIZE B	DRAWING NUMBER 607-0258
SHEET 1 OF 1	

005053-01

VIEW FROM OUTSIDE OF MOTOR AT SWITCH END.



	ROTATION FACING LEAD END	L1	L2	JOIN	INSULATE SEPARATELY
HIGH VOLT	C.C.W.	P1	T4 T5	T2,T3 T8	P2
	C.W.	P1	T4 T8	T2,T3 T5	P2
LOW VOLT	C.C.W.	P1	T2,T4 T5	P2,T3 T8	---
	C.W.	P1	T2,T4 T8	P2,T3 T5	---

TOLERANCES UNLESS OTHERWISE SPECIFIED	
DECIMALS	
.00	± .01
.000	± .005
.0000	± .0005
FRACTIONS	
	± 1/64
ANGLES	
	± 1/2°
INCH/MM	

**LEESON** ELECTRIC CORPORATION

DRAWN JRW 09/26/74 TITLE EXTERNAL WIRING DIAGRAM  
 CH'K'D. TYPE "K" W/PROTECTOR  
 APPR. TEM MAT'L. DECAL 004011 **BRF**  
 SCALE 1=1 REF. 005004 FINISH SIZE A DRAWING NO. 005053-01  
 FMF W-K 6341

18	REDRAWN ON CAD	DBT	05/27/97
NO.	REVISION	BY	DATE
THIS DRAWING IN DESIGN AND DETAIL IS OUR PROPERTY AND MUST NOT BE USED EXCEPT IN CONNECTION WITH OUR WORK ALL RIGHTS OF DESIGN AND INVENTION ARE RESERVED			

