

# PRODUCT INFORMATION PACKET



Model No: A6K34DR6A  
Catalog No: E110478.00  
1HP..3450RPM.56H.DP.115/208-230V.1PH.60HZ.CONT.AUTOMATIC.40C.1.25SF.RESIL.  
Open Drip Proof (ODP)



Regal and Leeson are trademarks of Regal Beloit Corporation or one of its affiliated companies.  
©2018 Regal Beloit Corporation, All Rights Reserved. MC017097E





### Nameplate Specifications

Output HP	1 Hp	Output KW	0.75 kW
Frequency	60 Hz	Voltage	115/230 V
Current	7.8/3.9 A	Speed	3450 rpm
Service Factor	1.25	Phase	1
Efficiency	80.4 %	Duty	Continuous
Insulation Class	B	Design Code	L
KVA Code	J	Frame	56H
Enclosure	Drip Proof	Overload Protector	Automatic
Ambient Temperature	40 °C	Drive End Bearing Size	6203
Opp Drive End Bearing Size	6203	UL	Recognized
CSA	Y	CE	N
IP Code	22		

### Technical Specifications

Electrical Type	Capacitor Start Capacitor Run	Starting Method	Across The Line
Poles	2	Rotation	Selective Counterclockwise
Mounting	Resilient Base	Motor Orientation	HORIZONTAL
Drive End Bearing	BALL	Opp Drive End Bearing	BALL
Frame Material	Rolled Steel	Shaft Type	NEMA 56
Overall Length	12.82 in	Frame Length	7.00 in
Shaft Diameter	0.625 in	Shaft Extension	1.88 in
Assembly/Box Mounting	F1 ONLY		
Outline Drawing	607-0379-700B	Connection Diagram	005053.01

This is an uncontrolled document once printed or downloaded and is subject to change without notice. Date Created: 10/15/2018

4

3

Uncontrolled Copy

2

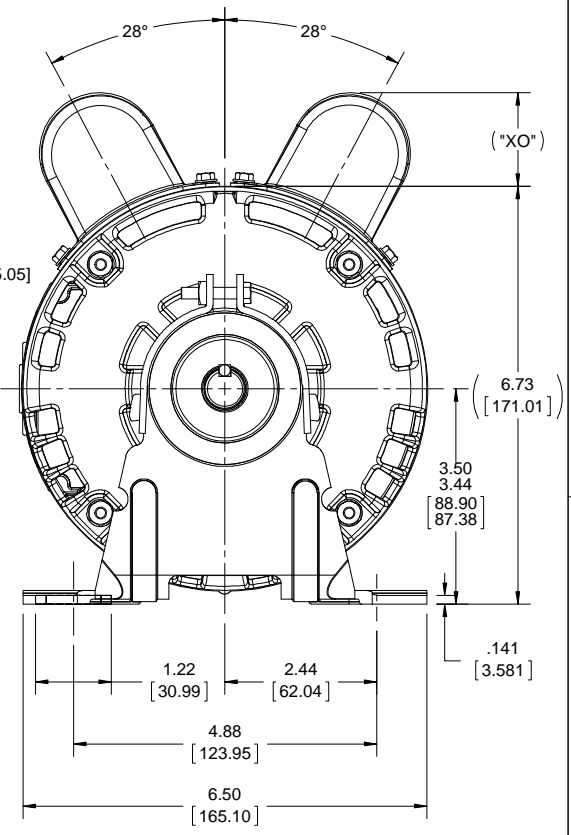
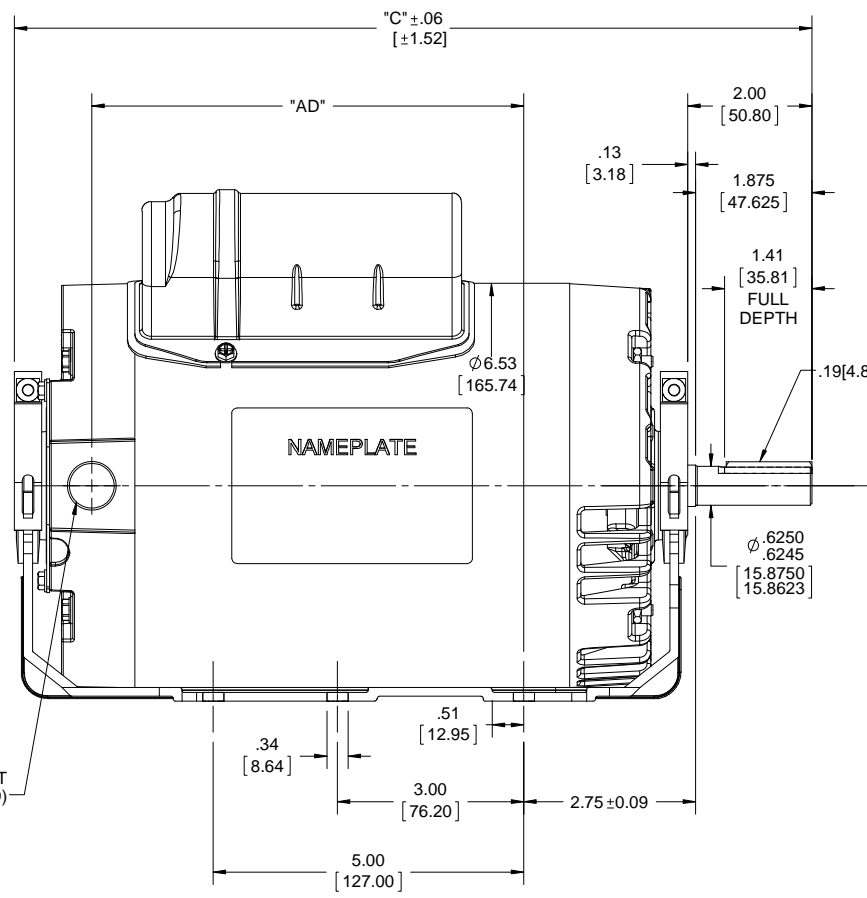
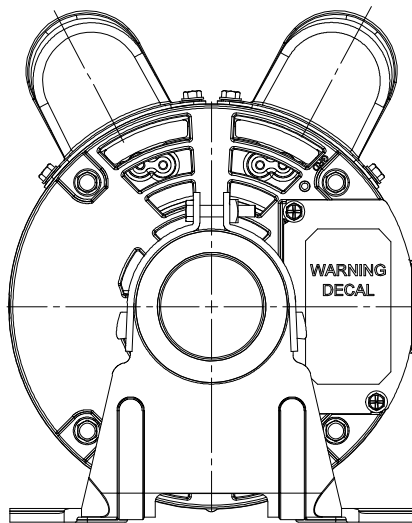
1

B

B

A

A



(1) 1/2-14 NPT (PLUGGED)

NOTE: AUTO PROTECTOR INSIDE LEAD END ENDBELL.

DASH NO.	"C"	"AD"	CAP DASH	
			A	"XO"
700	12.84[326.13]	6.95[176.53]	C	1.82[46.22]

DRAWING REVISION	REVISION BY	DATE
A		
ECO-0148826	APPROVED BY	DATE
ECO DESCRIPTION		
OUTLINE CONVERSION PROJECT		
<small>COPYRIGHT REGAL BELOIT AMERICA, INC. ALL RIGHTS RESERVED.            PROPRIETARY AND CONFIDENTIAL INFORMATION - THIS DOCUMENT IS THE PROPERTY OF REGAL BELOIT AMERICA, INC. ("OWNER") AND CONTAINS OWNER'S PROPRIETARY INFORMATION. ANY PERSON, CORPORATION OR OTHER FIRM RECEIVING IT IS DEEMED, BY RECEIVING IT, TO AGREE THAT IT, AND/OR ANY PART OF IT, SHALL NOT BE DISCLOSED TO ANY PERSON, CORPORATION OR OTHER ENTITY, DUPLICATED, AND/OR USED, EXCEPT AS EXPRESSLY APPROVED IN WRITING IN ADVANCE BY OWNER. THIS DOCUMENT SHALL BE RETURNED TO OWNER UPON REQUEST. IT MAY BE SUBJECT TO CERTAIN RESTRICTIONS UNDER APPLICABLE EXPORT CONTROL LAWS AND REGULATIONS.</small>		

TOLERANCES UNLESS OTHERWISE SPECIFIED:			
DEC.	INCH	mm	ANGLE
.X	+0.1	[+2.5]	±0.5°
.XX	+0.03	[+0.76]	
.XXX	+0.005	[+0.127]	
.XXXX	+0.0005	[+0.0127]	
REMOVE BURRS & BREAK SHARP EDGES: .003/.015 [0.076/.381] X 45°			
CORNER FILLETS: R.02 [51]			
MACHINED SURFACES: 125/3.2			
mm SHOWN IN [BRACKETS]			

DRAWN BY	A. KEETHA
DATE	05/04/2018
APPROVED BY	PK
DATE	7/16/2018
REFERENCE	607-0258
THIRD ANGLE PROJECTION	

		Regal Beloit America, Inc.	
DESCRIPTION			
OUTLINE DRIP PROOF-RESILIENT BASE			
MATERIAL		PROCESS/FINISH	
SIZE	DRAWING NUMBER	SHEET	
B	607-0379	1 OF 1	

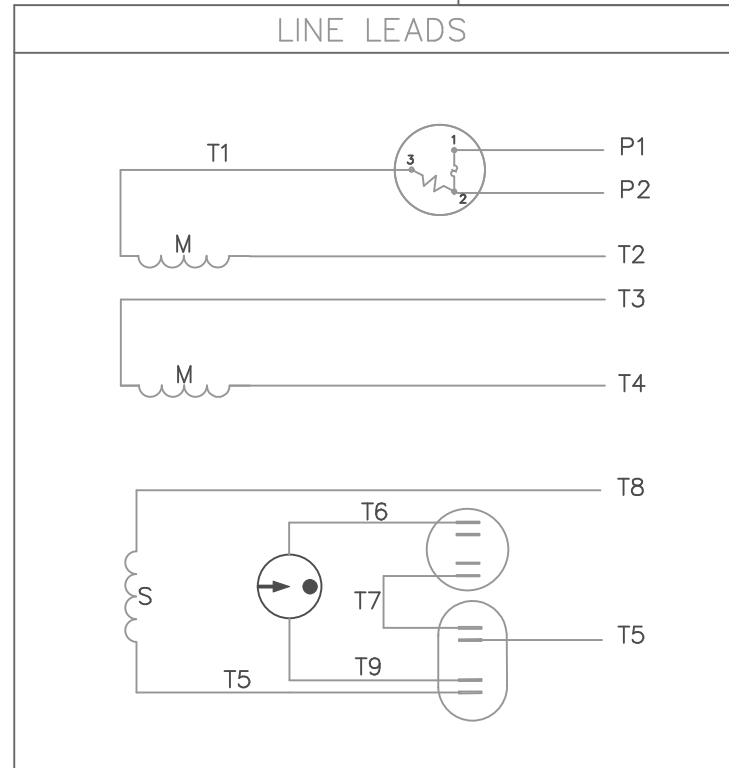
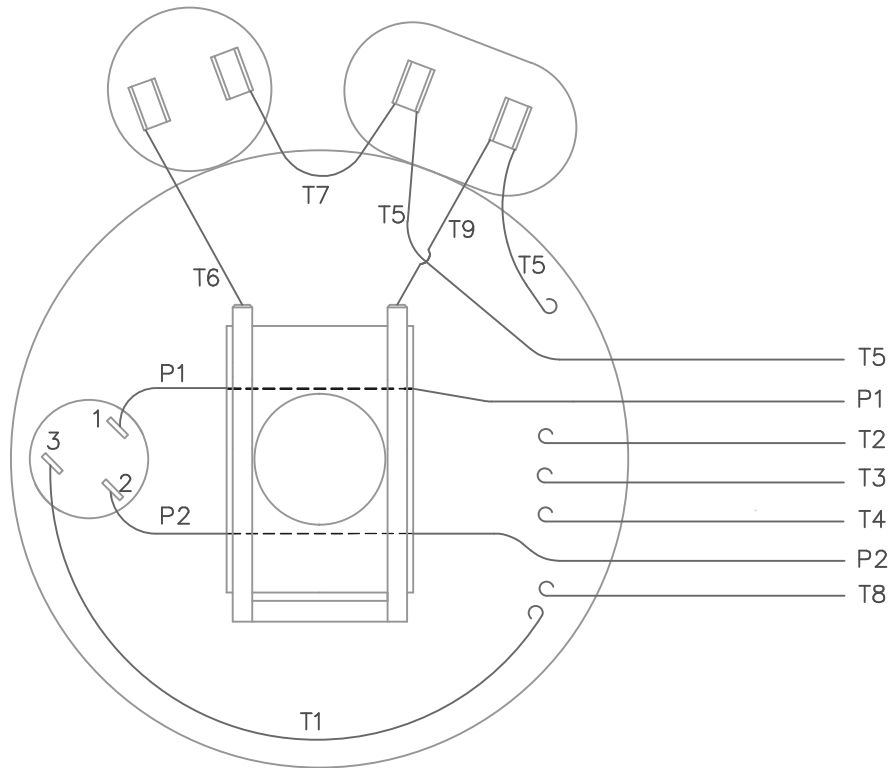
4

3

2

1

VIEW FROM OUTSIDE OF MOTOR AT SWITCH END.



	ROTATION FACING LEAD END	L1	L2	JOIN	INSULATE SEPARATELY
HIGH VOLT	C.C.W.	P1	T4 T5	T2,T3 T8	P2
	C.W.	P1	T4 T8	T2,T3 T5	P2
LOW VOLT	C.C.W.	P1	T2,T4 T5	P2,T3 T8	---
	C.W.	P1	T2,T4 T8	P2,T3 T5	---

				TOLERANCES UNLESS OTHERWISE SPECIFIED	
				DECIMALS	
				.00	± .01
				.000	± .005
18	REDRAWN ON CAD	DBT	05/27/97	.0000	± .0005
NO.	REVISION	BY	DATE	FRACTIONS	± 1/64
				ANGLES	± 1/2°
				INCH/MM	

**LEESON** ELECTRIC CORPORATION

DRAWN JRW 09/26/74 TITLE EXTERNAL WIRING DIAGRAM  
 CH'K'D. TYPE "K" W/PROTECTOR  
 APPR. TEM MAT'L. DECAL 004011 **BRF**  
 SCALE 1=1 REF. 005004 FINISH SIZE A DRAWING NO. 005053-01  
 FMF W-K 6341

THIS DRAWING IN DESIGN AND DETAIL IS OUR PROPERTY AND MUST NOT BE USED EXCEPT IN CONNECTION WITH OUR WORK ALL RIGHTS OF DESIGN AND INVENTION ARE RESERVED

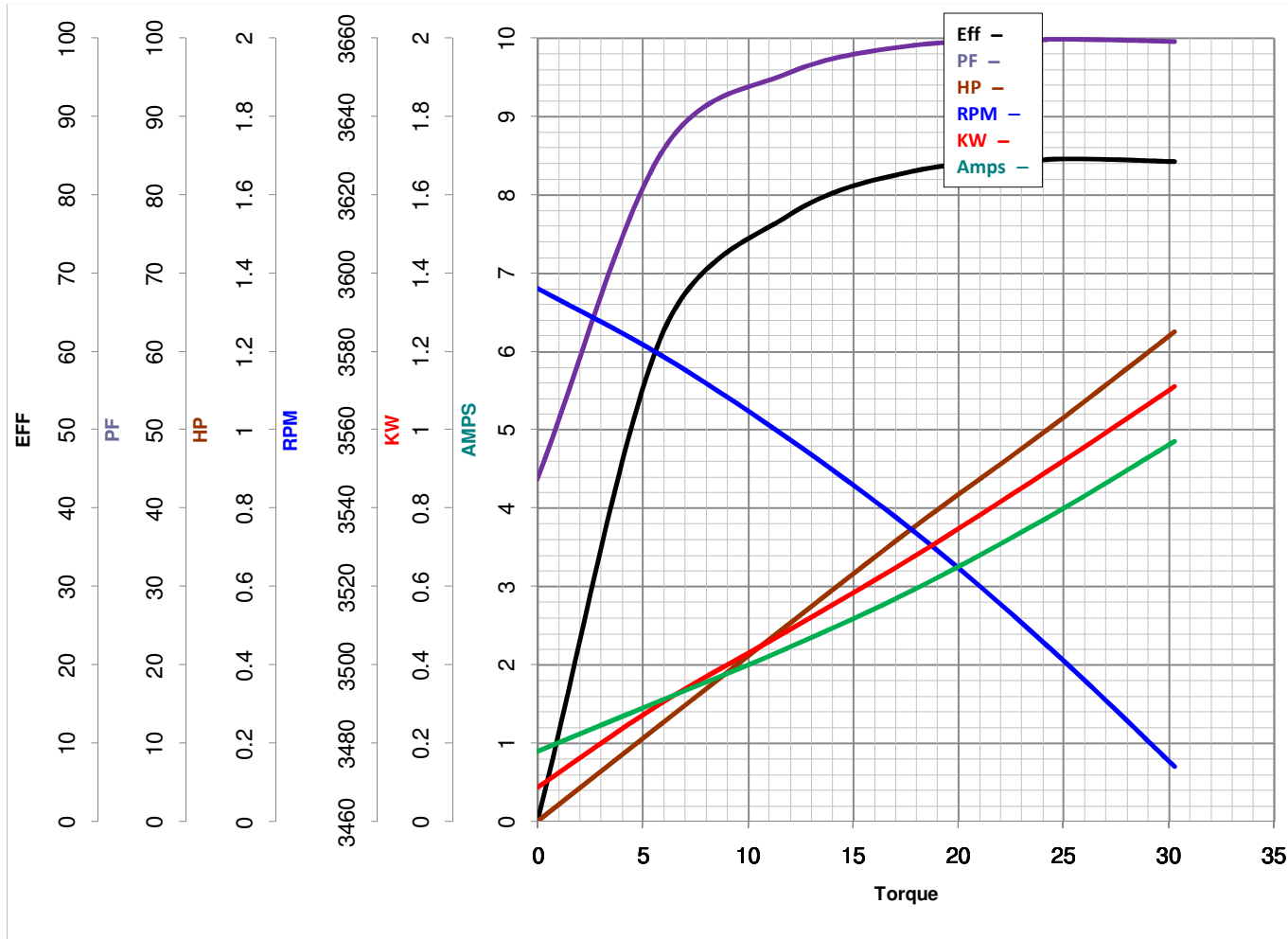


Model No E110478.00

Catalog No E110478.00

**LEESON ELECTRIC CORPORATION**  
 TYPICAL PERFORMANCE CURVE for AC MOTOR

Curve at 230 Volts      HP 1.00      PHASE 1  
60 HZ  
1 HP      VOLTS 115/230  
 HZ 60      RPM 3450



Torque in Oz.Ft

FL TORQUE 24.22 Oz.Ft  
 BD TORQUE 54.6 Oz.Ft  
 LR TORQUE 79.96 Oz.Ft

FL AMPS 7.8/3.9  
 PU TORQUE 47.5 Oz.Ft  
 LR AMPS 37.1

WINDING K632184-3

Date 4/23/2018