

PRODUCT INFORMATION PACKET



Model No: C6K34DB31A

Catalog No: E110360.00

E110360.00..1HP..3450RPM.56.DP.115/230V.1PH.60HZ.CONT.40C.1.25SF.RIGID
BASE.C6K34DB31.....GENERAL PURPOSE.NONE.....

Open Drip Proof (ODP)



Regal and Leeson are trademarks of Regal Beloit Corporation or one of its affiliated companies.

©2018 Regal Beloit Corporation, All Rights Reserved. MC017097E



Product Information Packet: Model No: C6K34DB31A, Catalog No:E110360.00
 E110360.00..1HP..3450RPM.56.DP.115/230V.1PH.60HZ.CONT.40C.1.25SF.RIGID BASE.C6K34DB31.....GENERAL
 PURPOSE.NONE.....



Nameplate Specifications

Output HP	1 Hp	Output KW	0.75 kW
Frequency	60 Hz	Voltage	115/230 V
Current	7.8/3.9 A	Speed	3450 rpm
Service Factor	1.25	Phase	1
Efficiency	80.4 %	Duty	Continuous
Insulation Class	F	Design Code	L
KVA Code	J	Frame	56
Enclosure	Drip Proof	Overload Protector	No
Ambient Temperature	40 °C	Drive End Bearing Size	6203
Opp Drive End Bearing Size	6203	UL	Recognized
CSA	Y	CE	Y
IP Code	22		

Technical Specifications

Electrical Type	Capacitor Start Capacitor Run	Starting Method	Across The Line
Poles	2	Rotation	Selective Counterclockwise
Mounting	Rigid base	Motor Orientation	HORIZONTAL
Drive End Bearing	BALL	Opp Drive End Bearing	BALL
Frame Material	Rolled Steel	Shaft Type	NEMA 56
Overall Length	11.37 in	Frame Length	6.50 in
Shaft Diameter	0.625 in	Shaft Extension	1.88 in
Assembly/Box Mounting	F1 ONLY		
Outline Drawing	607-0369-650B	Connection Diagram	005054.01

This is an uncontrolled document once printed or downloaded and is subject to change without notice. Date Created: 10/15/2018

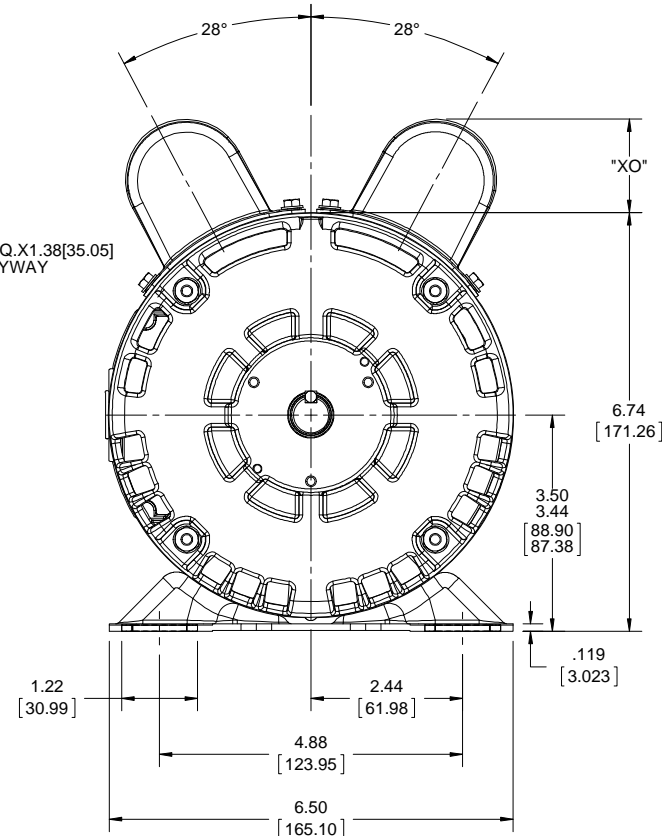
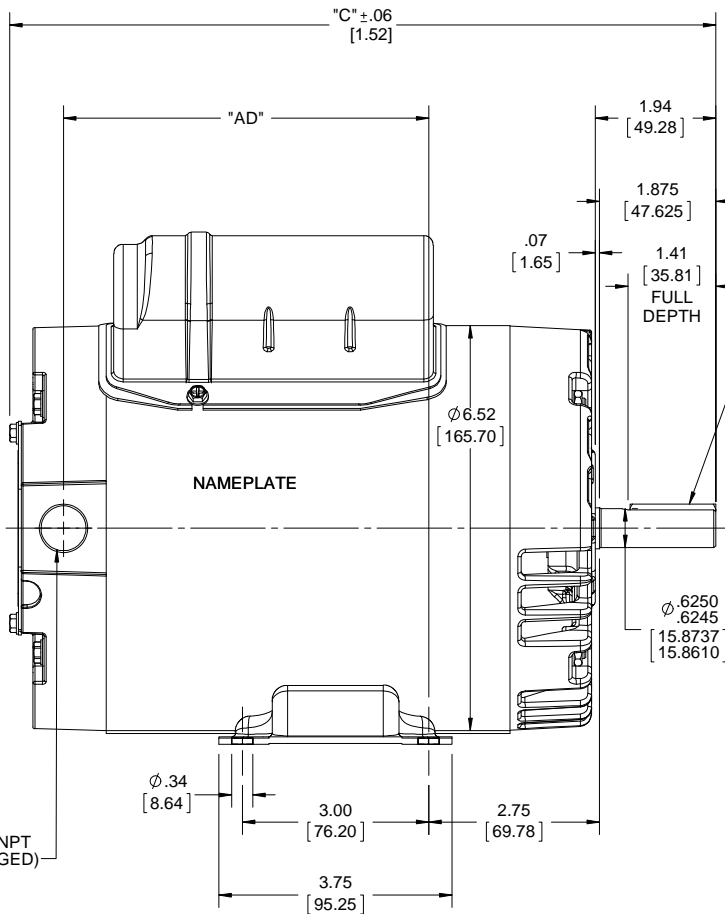
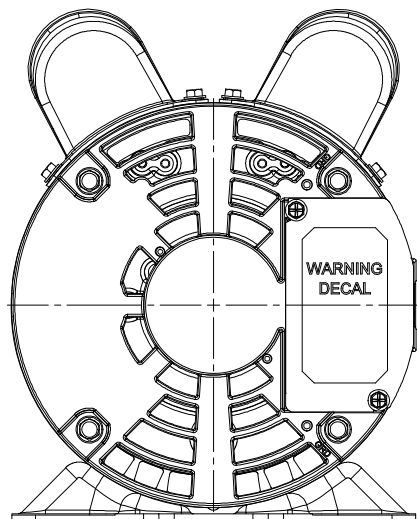
4

3

Uncontrolled Copy

2

1



1/2-14 NPT (PLUGGED)

0.19[4.82] SQ.X 1.38[35.05] KEYWAY

Ø.6250
.6245
[15.8737]
[15.8610]

Ø.34
[8.64]

3.00
[76.20]

2.75
[69.78]

3.75
[95.25]

1.22
[30.99]

3.50
3.44
[88.90]
[87.38]

.119
[3.023]

2.44
[61.98]

4.88
[123.95]

6.50
[165.10]

DASH NO.	"C"	"AD"	CAP. DASH	"XO"
			A	1.15[29.21]
650	11.37[288.79]	5.88[149.35]	B	1.50[38.01]
			C	1.82[46.22]

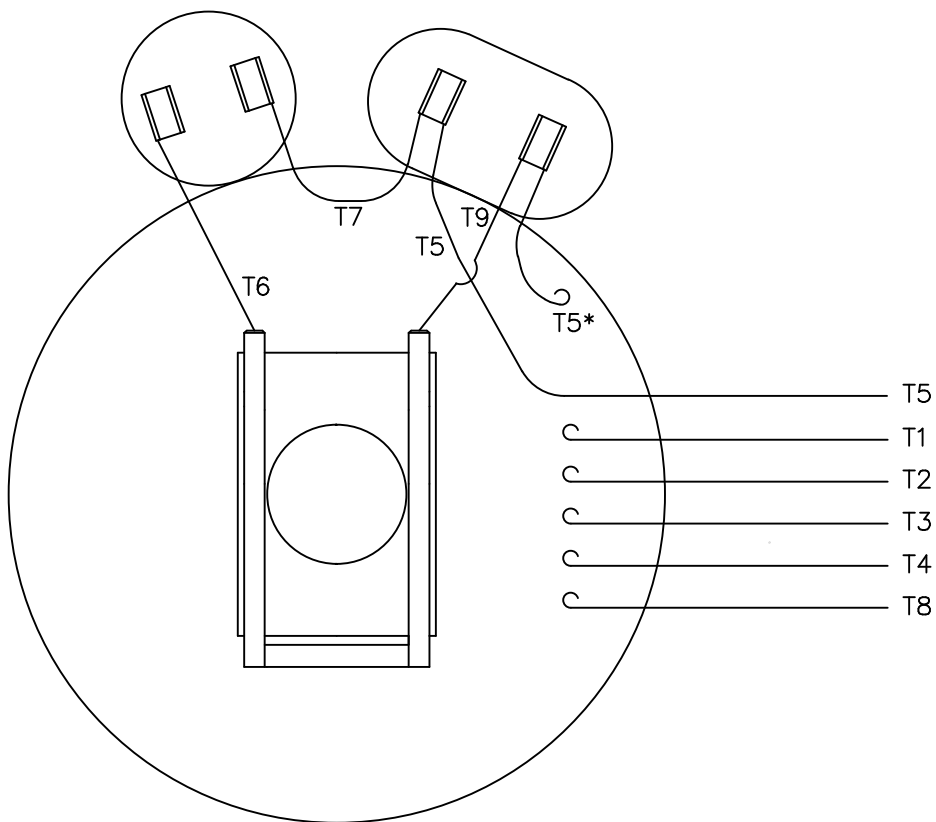
DRAWING REVISION A	REVISION BY	DATE
ECO ECO-0148826	APPROVED BY	DATE
ECO DESCRIPTION OUTLINE CONVERSION PROJECT		
<small>COPYRIGHT REGAL BELOIT AMERICA, INC. ALL RIGHTS RESERVED. PROPRIETARY AND CONFIDENTIAL INFORMATION - THIS DOCUMENT IS THE PROPERTY OF REGAL BELOIT AMERICA, INC. ("OWNER") AND CONTAINS OWNER'S PROPRIETARY INFORMATION. ANY PERSON, CORPORATION OR OTHER FIRM RECEIVING IT IS DEEMED, BY RECEIVING IT, TO AGREE THAT IT, AND/OR ANY PART OF IT, SHALL NOT BE DISCLOSED TO ANY PERSON, CORPORATION OR OTHER ENTITY, DUPLICATED, AND/OR USED, EXCEPT AS EXPRESSLY APPROVED IN WRITING IN ADVANCE BY OWNER. THIS DOCUMENT SHALL BE RETURNED TO OWNER UPON REQUEST. IT MAY BE SUBJECT TO CERTAIN RESTRICTIONS UNDER APPLICABLE EXPORT CONTROL LAWS AND REGULATIONS.</small>		

TOLERANCES UNLESS OTHERWISE SPECIFIED:			
DEC.	INCH	mm	ANGLE
.X	±0.1	[±2.5]	±0.5°
.XX	±0.03	[±0.76]	
.XXX	±0.005	[±0.127]	
.XXXX	±0.0005	[±0.0127]	
REMOVE BURRS & BREAK SHARP EDGES: .003/.015 [0.076/.381] X 45°			
CORNER FILLETS: R.02 [51]			
MACHINED SURFACES: 125/3.2			
mm SHOWN IN [BRACKETS]			

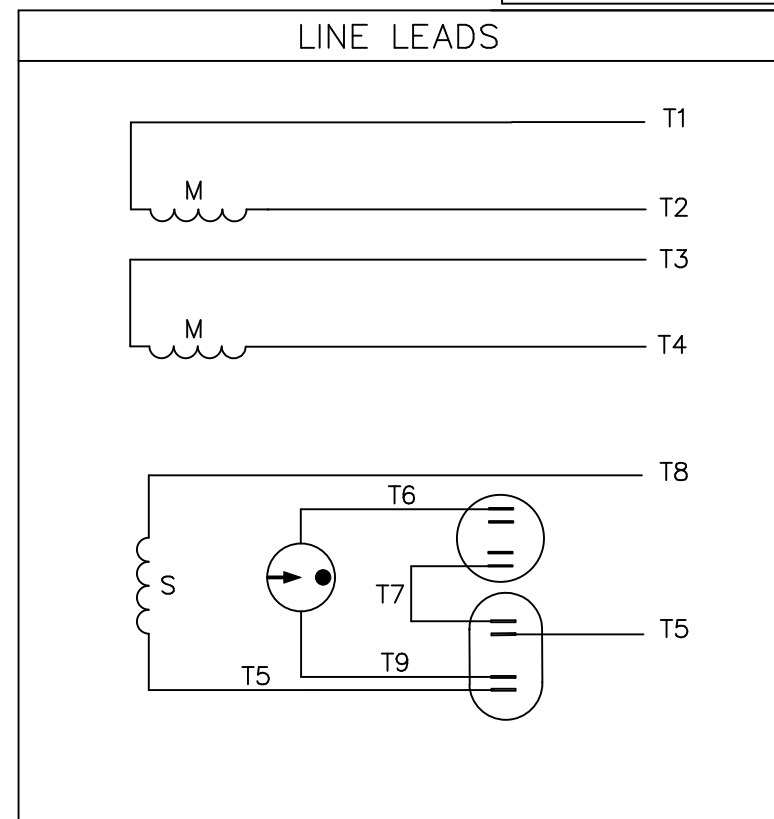
DRAWN BY A. KEETHA	DATE 04/17/2018
APPROVED BY PK	DATE 07/16/2018
REFERENCE 607-0200	THIRD ANGLE PROJECTION

Regal Beloit America, Inc.	
DESCRIPTION OUTLINE DRIP PROOF-RIGID 56Y FRAME	
MATERIAL	PROCESS/FINISH
SIZE B	DRAWING NUMBER 607-0369
	SHEET 1 OF 1

VIEW FROM OUTSIDE OF MOTOR AT SWITCH END.



* THIS LEAD MAY BE WHITE



	ROTATION FACING LEAD END	L1	L2	JOIN
HIGH VOLT	C.C.W.	T1	T4 T5	T2,T3 T8
	C.W.	T1	T4 T8	T2,T3 T5
LOW VOLT	C.C.W.	T1 T3,T8	T2,T4 T5	
	C.W.	T1,T3 T5	T2,T4 T8	

NO.	REVISION	BY & DATE	CHK	ANG	TOLERANCES UNLESS SPECIFIED	
					DEC.	INCHES
					.X	±.1
11	ALTERNATE T5 LEAD MARKING WAS RED	RLW 8/6/02	.XX	±.01		
10	ADDED ALTERNATE T5 LEAD MARKING	RLW 6/5/02	KH	.XXX ±.005		
09	REDRAWN TO CAD	DBT 05/28/97		.XXXX ±.0005		
				±1/2°		



ELECTRIC MOTORS
GEARMOTORS
AND DRIVES

DRAWN	JRW 09/27/74
CHK	TEM
APPD	10/11/74
SCALE	1=1
REF	A-005053
FMF	W-K6343
PREV	

TITLE
EXT. WIRING DIAGRAM
TYPE "K" W/O PROTECTOR

MAT'L. DECAL-004012

FINISH

THIS DRAWING IN DESIGN AND DETAIL IS OUR PROPERTY AND MUST NOT BE USED EXCEPT IN CONNECTION WITH OUR WORK ALL RIGHTS OF DESIGN AND INVENTION ARE RESERVED THIS IS AN ELECTRONICALLY GENERATED DOCUMENT - DO NOT SCALE THIS PRINT

RFP	CAD FILE	00505401	SIZE	DRAWING NO.	REV.
DIST	BRF-NLV		A	005054-01	11



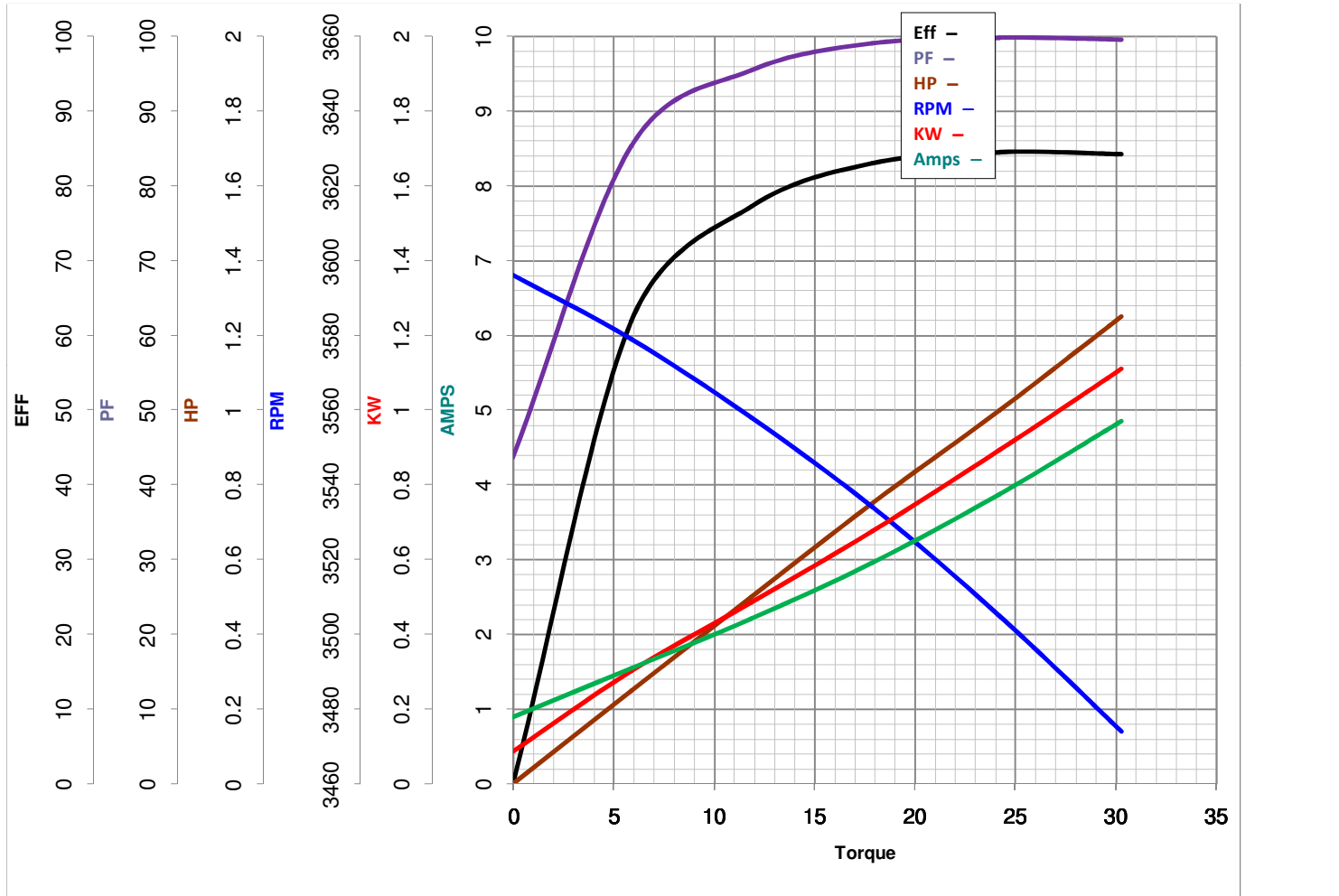
LEESON ELECTRIC CORPORATION
TYPICAL PERFORMANCE CURVE for AC MOTOR

Model No E110360.00

Curve at 230 Volts HP 1.00 PHASE 1
60 HZ
1 HP VOLTS 115/230

Catalog No E110360.00

HZ 60 RPM 3450



FL TORQUE 24.22 Oz.Ft
BD TORQUE 54.6 Oz.Ft
LR TORQUE 79.96 Oz.Ft

FL AMPS 7.8/3.9
PU TORQUE 47.5 Oz.Ft
LR AMPS 37.1

WINDING K632184-3

Date 3/21/2018