

PRODUCT INFORMATION PACKET



Model No: C6T11DB23A

Catalog No: E110028.00

..3/4HP..1140RPM.56.DP.230/460V.3PH.60HZ.CONT.40C.1.15SF.RIGID.C6T11DB23.....GENERAL
PURPOSE.T-STAT.....

Open Drip Proof (ODP)



Regal and Leeson are trademarks of Regal Beloit Corporation or one of its affiliated companies.

©2018 Regal Beloit Corporation, All Rights Reserved. MC017097E



Product Information Packet: Model No: C6T11DB23A, Catalog No:E110028.00
 .3/4HP..1140RPM.56.DP.230/460V.3PH.60HZ.CONT.40C.1.15SF.RIGID.C6T11DB23.....GENERAL PURPOSE.T-
 STAT.....



Nameplate Specifications

Output HP	0.75 Hp	Output KW	0.56 kW
Frequency	60 Hz	Voltage	230/460 V
Current	2.8/1.4 A	Speed	1140 rpm
Service Factor	1.15	Phase	3
Efficiency	81.7 %	Duty	Continuous
Insulation Class	F	Design Code	B
KVA Code	J	Frame	56
Enclosure	Drip Proof	Overload Protector	No
Ambient Temperature	40 °C	Drive End Bearing Size	6203
Opp Drive End Bearing Size	6203	UL	Recognized
CSA	Y	CE	Y
IP Code	22		

Technical Specifications

Electrical Type	Squirrel Cage Inverter Rated	Starting Method	Line Or Inverter
Poles	6	Rotation	Reversible
Mounting	Rigid base	Motor Orientation	HORIZONTAL
Drive End Bearing	BALL	Opp Drive End Bearing	BALL
Frame Material	Rolled Steel	Shaft Type	NEMA 56
Overall Length	11.87 in	Frame Length	7.00 in
Shaft Diameter	0.625 in	Shaft Extension	1.88 in
Assembly/Box Mounting	F1 ONLY		
Outline Drawing	607-0351-700	Connection Diagram	005010.20

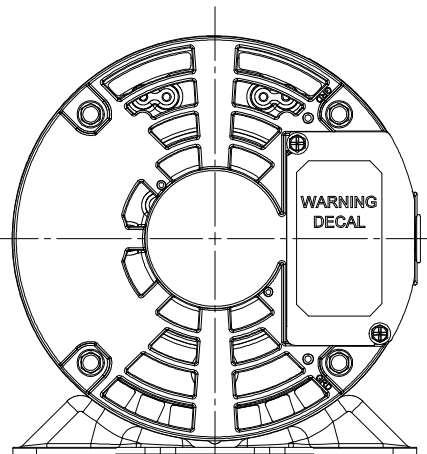
This is an uncontrolled document once printed or downloaded and is subject to change without notice. Date Created: 10/15/2018

B

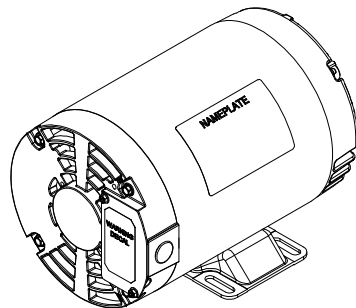
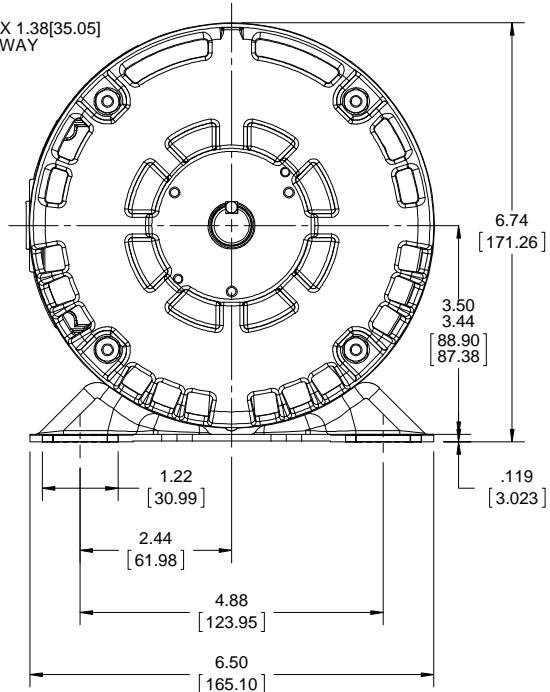
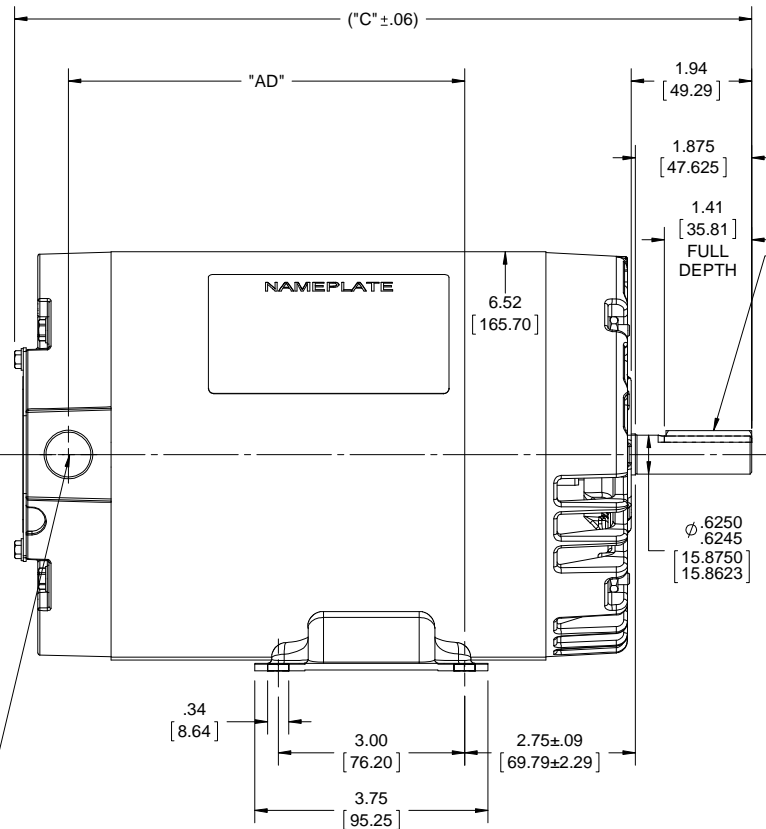
B

A

A



1/2-14 NPT (PLUGGED)



DASH NO.	"C"	"AD"
700	11.87[301.49]	6.38[162.05]
725	12.12[307.84]	6.63[168.40]
800	12.87[326.89]	7.38[187.45]

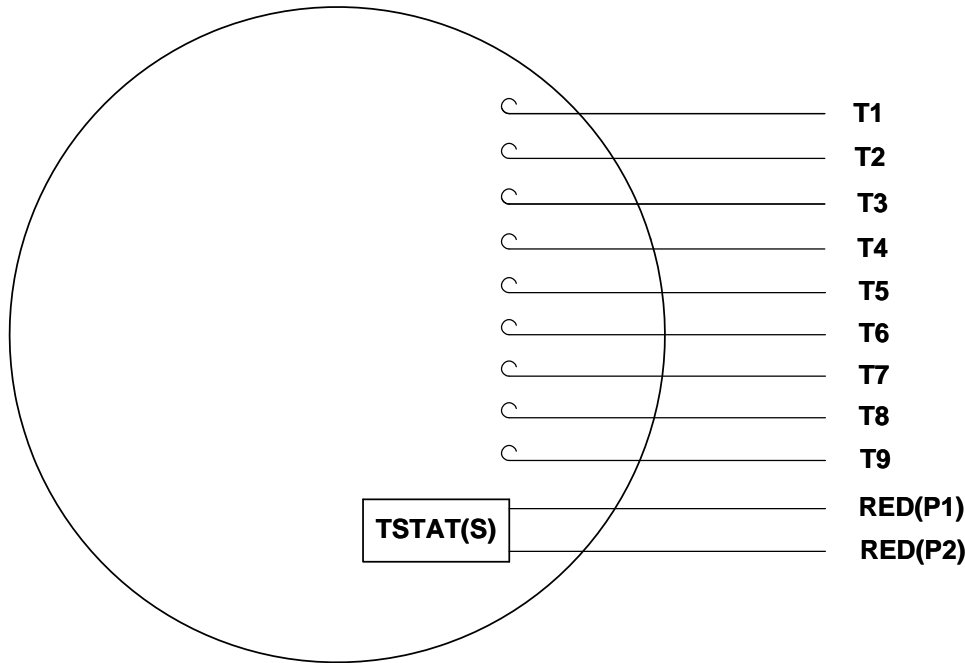
DRAWING REVISION A	REVISION BY APPROVED BY	DATE
ECO ECO-0140840		
ECO DESCRIPTION OUTLINE CONVERSION PROJECT		
<small>COPYRIGHT REGAL BELOIT AMERICA, INC. ALL RIGHTS RESERVED. PROPRIETARY AND CONFIDENTIAL INFORMATION - THIS DOCUMENT IS THE PROPERTY OF REGAL BELOIT AMERICA, INC. (OWNER) AND CONTAINS OWNER'S PROPRIETARY INFORMATION. ANY PERSON, CORPORATION OR OTHER FIRM RECEIVING IT IS DEEMED, BY RECEIVING IT, TO AGREE THAT IT, AND/OR ANY PART OF IT, SHALL NOT BE DISCLOSED TO ANY PERSON, CORPORATION OR OTHER ENTITY, DUPLICATED, AND/OR USED, EXCEPT AS EXPRESSLY APPROVED IN WRITING IN ADVANCE BY OWNER. THIS DOCUMENT SHALL BE RETURNED TO OWNER UPON REQUEST. IT MAY BE SUBJECT TO CERTAIN RESTRICTIONS UNDER APPLICABLE EXPORT CONTROL LAWS AND REGULATIONS.</small>		

TOLERANCES UNLESS OTHERWISE SPECIFIED:			
DEC.	INCH	mm	ANGLE
.X	+0.1	[+2.5]	±0.5°
.XX	+0.03	[+0.76]	
.XXX	+0.005	[+0.127]	
.XXXX	+0.0005	[+0.0127]	
REMOVE BURRS & BREAK SHARP EDGES: .003/.015 [0.076/.381] X 45°			
CORNER FILLETS: R.02 [51]			
MACHINED SURFACES: 125/3.2			
mm SHOWN IN [BRACKETS]			

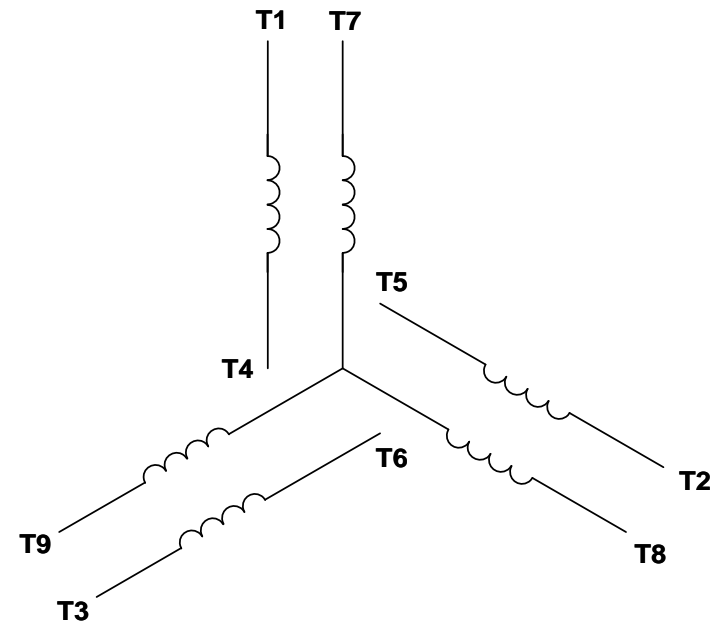
DRAWN BY A. KEETHA	DATE 02/01/2018
APPROVED BY PK	DATE 03/08/2018
REFERENCE 607-0191	THIRD ANGLE PROJECTION

Regal Beloit America, Inc.	
DESCRIPTION OUTLINE DRIP PROOF-RIGID BASE	
MATERIAL	PROCESS/FINISH
SIZE B	DRAWING NUMBER 607-0351
	SHEET 1 OF 1

VIEW FROM OUTSIDE OF MOTOR AT SWITCH END. Uncontrolled Copy



LINE LEADS



VOLTAGE	L1	L2	L3	JOIN & INSULATE
HIGH	T1	T2	T3	(T4,T7) (T5,T8) (T6,T9)
LOW	T1,T7	T2,T8	T3,T9	T4,T5,T6

DRAWING REVISION **G** REVISION BY **MVG** DATE **04/05/2017**

ECO **ECO-0121253** APPROVED BY **SM** DATE **04/05/2017**

ECO DESCRIPTION
ADDED P1 & P2 FOR TSTAT

COPYRIGHT REGAL BELOIT AMERICA, INC. ALL RIGHTS RESERVED.
PROPRIETARY AND CONFIDENTIAL INFORMATION - THIS DOCUMENT IS THE PROPERTY OF
REGAL BELOIT AMERICA, INC. ('OWNER') AND CONTAINS OWNER'S PROPRIETARY
INFORMATION. ANY PERSON, CORPORATION OR OTHER FIRM RECEIVING IT IS DEEMED,
BY RECEIVING IT, TO AGREE THAT IT, AND/OR ANY PART OF IT, SHALL NOT BE DISCLOSED
TO ANY PERSON, CORPORATION OR OTHER ENTITY, DUPLICATED, AND/OR USED, EXCEPT
AS EXPRESSLY APPROVED IN WRITING IN ADVANCE BY OWNER. THIS DOCUMENT SHALL
BE RETURNED TO OWNER UPON REQUEST. IT MAY BE SUBJECT TO CERTAIN
RESTRICTIONS UNDER APPLICABLE EXPORT CONTROL LAWS AND REGULATIONS.

TOLERANCES UNLESS OTHERWISE SPECIFIED:

DEC.	INCH	mm	ANGLE
.X	±0.1	[±2.5]	±0.5°
.XX	±0.01	[±0.25]	
.XXX	±0.005	[±0.127]	
.XXXX	±0.0005	[±0.0127]	

REMOVE BURRS & BREAK SHARP EDGES: .003/.015 [.076/.381] X 45°
CORNER FILLETS: R.02 [.51]
MACHINED SURFACES: 125/3.2 INCH/mm
mm SHOWN IN [BRACKETS]

DRAWN BY **DBT 12/16/97**

DATE

APPROVED BY **KH 12/17/97**

DATE

REFERENCE

THIRD ANGLE PROJECTION

REGAL™ Regal Beloit America, Inc.

DESCRIPTION
CONN DIAGRAM-EXTERNAL
3 PHASE WITH PROTECTOR

MATERIAL **DECAL - 004014 (TSTAT) - 080582** PROCESS/FINISH **STOCK**

SIZE **A** DRAWING NUMBER **00501020** SHEET **1 OF 1**



P.O. BOX 8003
WAUSAU, WI 54401-8003
PH. 715-675-3311

DATA VOLTS: 460

CERTIFICATION DATA SHEET

CONN. DIAGRAM: 005010.20
OUTLINE: 607-0191-700
WINDING: T636112

CAT #: E110028.00

DR 3

TYPICAL MOTOR PERFORMANCE DATA

HP	KW	SYNC RPM	FL RPM	FRAME	ENCLOSURE	TYPE	KVA CODE	DESIGN												
0.75	0.56	1200	1152	56	DP	NA	J	B												
PH	HZ	VOLTS	AMPS	START TYPE	DUTY	INSL	S.F.	AMB	ELEV.											
3	60/50	230/460#190/380	2.75/1.35&3.1/1.55	LINE OR INVERTER	CONT	F	1.15	40	3300											
F.L. EFF	F.L. PF	79.7	64.2	3/4 LD EFF	3/4 LD PF	79.0	56.7	1/2 LD EFF	1/2 LD PF	75.8	43.8	0.0	ELECT. TYPE	SO CAGE INVERTED						
F.L. TORQUE	LR AMPS @ 460 V	874	LB-FT	7.2	L.R. TORQUE	2,211	LB-FT	253%	B.D. TORQUE	2,666	LB-FT	305%	F.L. RISE (°C)	30						
PRESSURE @ 3	0	DBA	9	DBA	ROTOR WK²	0.00	LB-FT²	0	MAX. LOAD WK²	0	LB-FT²	0	SAFE STALL TIME	0	SEC.	STARTS/HOUR	0	MOTOR WGT	0	LB.

*** SUPPLEMENTAL INFORMATION ***

DE BRACKET TYPE	ODE BRACKET TYPE	MOUNT TYPE	MOTOR ORIENTATION	SEVERE DUTY	HAZARDOUS LOCATION	DRIIP COVER	SCREENS	PAINT
STANDARD	STANDARD	RIGID	HORIZONTAL	NO	NONE	NO	NONE	N - LEESON WATTS
BEARINGS DE	ODE	GREASE	SHAFT TYPE	SPECIAL DE	SPECIAL ODE	SHAFT COVER	MATERIAL	FRAME MATERIAL
BALL 6203	BALL 6203	POLYREX EM	STANDARD 56	NONE	NONE	1144 STRESSPROOF (C-223)	ROLLED STEEL	ROLLED STEEL
THERMOSTATS TSTATS (N/C)	PROTECTORS	NOT	WDG RTD's	BRG RTD's	THERMISTORS	CONTROL	SPACE HEATERS	NA
R1 (ohms/ph)	R2 (ohms/ph)	X1 (ohms/ph)	X2 (ohms/ph)	Xm (ohms/ph)	VIBRATION (in/sec)	FLOAT ODE		
0	0	0	0	0	0.080			

INVERTER TORQUE: CONSTANT 10:1
INV. HP SPEED RANGE: 1.1 X BASE SPEED

ENCODER: NONE
BRAKE: NONE
FT-LB: NONE
VOLTAGE: NONE
UL: Y-(LEESON UL REC)

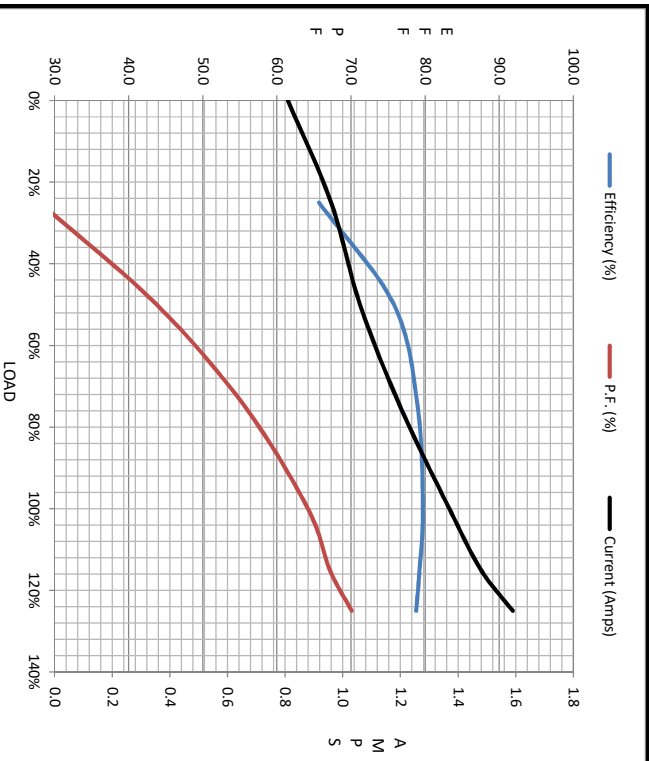
DATE: 1/30/2018

UL: Y-(LEESON UL REC)



Motor Load Data						
Load	0%	25%	50%	75%	100%	LR
Current (Amps)	0.81	0.96	1.06	1.20	1.37	7.2
Torque (ft-lb)	0.00	212	428	648	874	2,211
RPM	1200	1189	1178	1166	1152	0
Efficiency (%)		65.7	75.8	79.0	79.7	78.8
P.F. (%)	10.3	28.0	43.8	55.7	64.2	67.2

Motor Speed Data						Information Block																									
	LR	Pull-Up	BD	Rated	Idle	HP	Sync. RPM	Frame	Enclosure	Construction	Voltage	Frequency	Design	LR Code letter	Service Factor	Temp Rise @ FL	Duty	Ambient	Elevation	Rotor/Shaft wk ²	Ref Wdg	Sound Pressure @ 1M	VFD Rating	Outline Dwg	Conn. Diag	Additional Specifications:	R1	R2	X1	X2	Xm
Speed (RPM)	0	208	854	1152	1200	0.8	1200	56	DP	NA	230/460#190/380	60	B	J	1.15	30	CONT	40	1,000	0.00	0	CONSTANT 10:1	607-0191-700	005010.20		0.0000	0.0000	0.0000	0.0000	0.0000	
Current (Amps)	7.2	7.0	4.9	1.37	0.81																										
Torque (ft-lb)	2,211	2,149	2,666	874	0.00																										



EQUIV CKT (OHMS / PHASE)			
	R1	R2	Xm
	0.0000	0.0000	0.0000

