

PRODUCT INFORMATION PACKET



Model No: A6K17DR50A

Catalog No: E110007.00

..1HP..1725RPM.56H.DP.115/230V.1PH.60HZ.CONT.40C.1.15SF.RESIL....AUTOMATIC.....

Open Drip Proof (ODP)



Regal and Leeson are trademarks of Regal Beloit Corporation or one of its affiliated companies.

©2018 Regal Beloit Corporation, All Rights Reserved. MC017097E





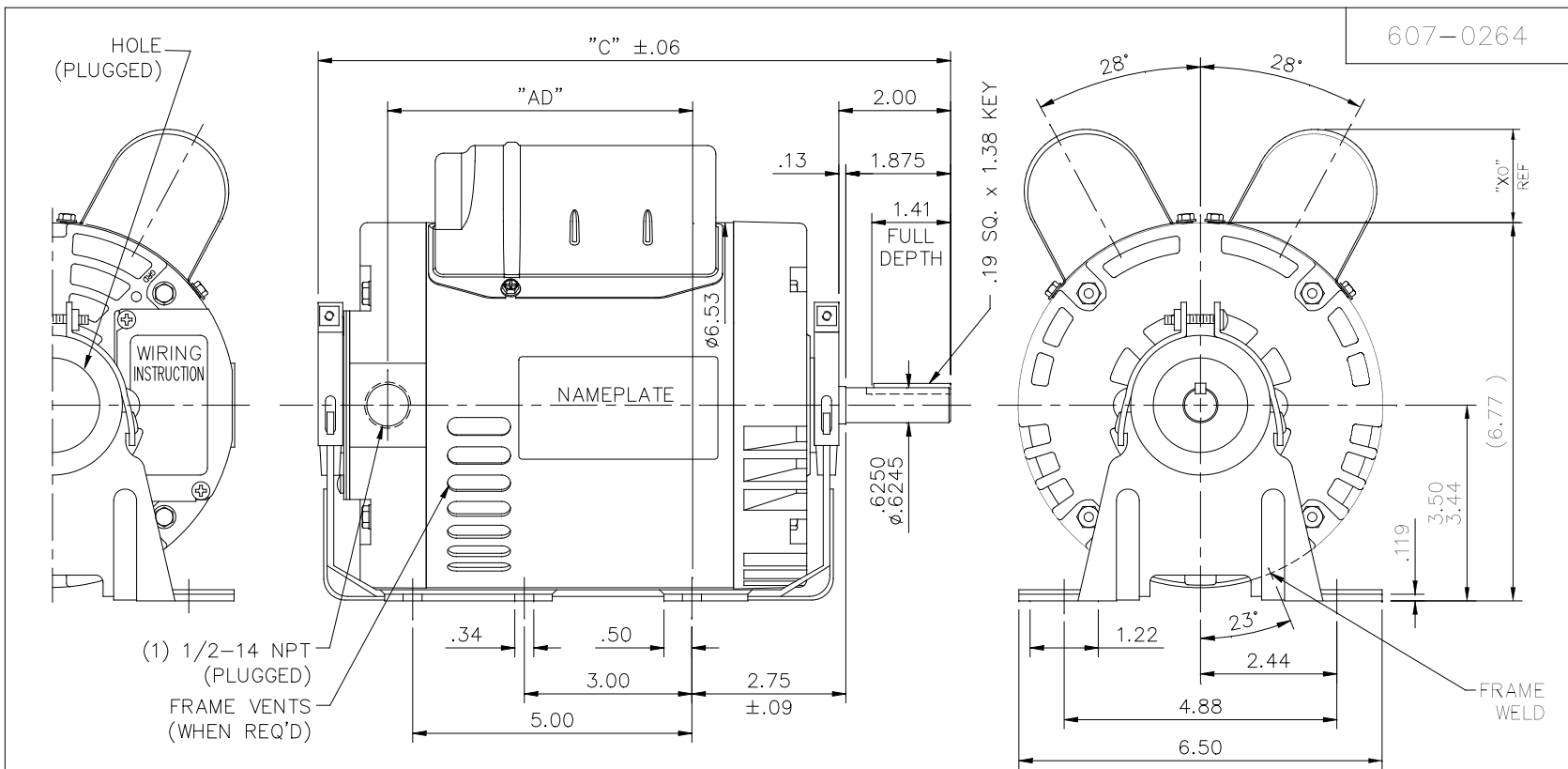
Nameplate Specifications

Output HP	1 Hp	Output KW	0.75 kW
Frequency	60 Hz	Voltage	115/230 V
Current	8.4/4.2 A	Speed	1725 rpm
Service Factor	1.15	Phase	1
Efficiency	82.6 %	Duty	Continuous
Insulation Class	F	Design Code	L
KVA Code	J	Frame	56H
Enclosure	Drip Proof	Overload Protector	Automatic
Ambient Temperature	40 °C	Drive End Bearing Size	6203
Opp Drive End Bearing Size	6203	UL	Recognized
CSA	Y	CE	N
IP Code	22		

Technical Specifications

Electrical Type	Capacitor Start Capacitor Run	Starting Method	Across The Line
Poles	4	Rotation	Selective Counterclockwise
Mounting	Resilient Base	Motor Orientation	HORIZONTAL
Drive End Bearing	BALL	Opp Drive End Bearing	BALL
Frame Material	Rolled Steel	Shaft Type	NEMA 56
Overall Length	12.82 in	Frame Length	7.00 in
Shaft Diameter	0.625 in	Shaft Extension	1.88 in
Assembly/Box Mounting	F1 ONLY		
Outline Drawing	607-0264-700B	Connection Diagram	005053.01

This is an uncontrolled document once printed or downloaded and is subject to change without notice. Date Created: 10/15/2018



607-0264

(1) 1/2-14 NPT (PLUGGED)
FRAME VENTS (WHEN REQ'D)

DASH NO.	"C"	"AD"	DASH NO.	"C"	"AD"	CAP DASH	"XO"
500	10.82	4.96	800	13.82	7.96		
550	11.32	5.46	850	14.32	8.46		
600	11.82	5.96				A	1.15
650	12.32	6.46				B	1.60
700	12.82	6.96				C	1.82
750	13.32	7.46					

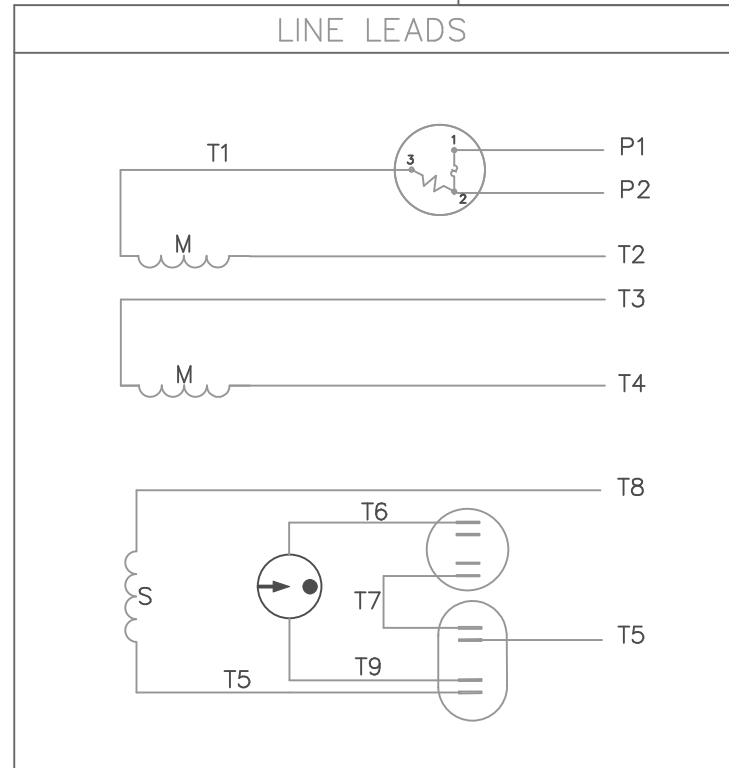
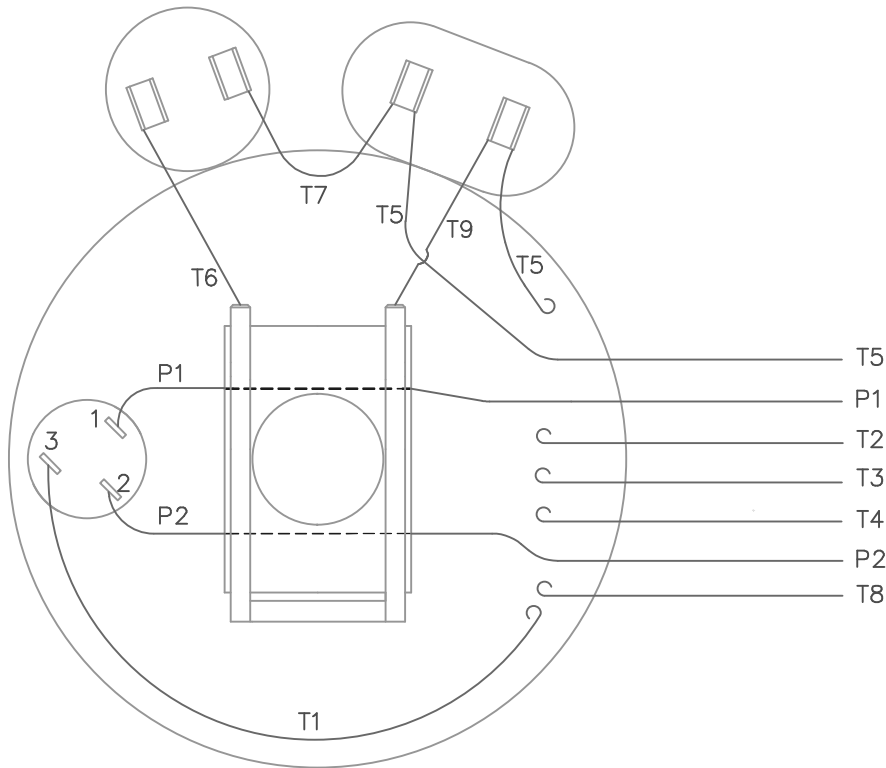
NOTE: AUTO PROTECTOR INSIDE LEAD END ENDBELL

ORACLE
PART REV.
000

		TOLERANCES UNLESS SPECIFIED		REGAL™ Regal Beloit America, Inc.		DRAWN PK 08/22/2016	
		DEC.	INCHES			CHK	
		.X	±.1			APPD	
		.XX	±.03	TITLE		SCALE 3=8	
		.XXX	±.005	OUTLINE - 56H FRAME DRIP PROOF - RESILIENT BASE		REF OL110579	
A NEW DRAWING		PK 08/22/2016	.XXXX	±.0005	MAT'L. GENERAL PURPOSE		FMF E110579.00
NO.	REVISION	BY & DATE	CHK	ANG	FINISH	PREV	
			RFP		CAD FILE 607-0264	SIZE A	DRAWING NO. 607-0264
			DIST				REV. A

THIS DRAWING IN DESIGN AND DETAIL IS OUR PROPERTY AND MUST NOT BE USED EXCEPT IN CONNECTION WITH OUR WORK ALL RIGHTS OF DESIGN AND INVENTION ARE RESERVED THIS IS AN ELECTRONICALLY GENERATED DOCUMENT - DO NOT SCALE THIS PRINT

VIEW FROM OUTSIDE OF MOTOR AT SWITCH END.



	ROTATION FACING LEAD END	L1	L2	JOIN	INSULATE SEPARATELY
HIGH VOLT	C.C.W.	P1	T4 T5	T2, T3 T8	P2
	C.W.	P1	T4 T8	T2, T3 T5	P2
LOW VOLT	C.C.W.	P1	T2, T4 T5	P2, T3 T8	---
	C.W.	P1	T2, T4 T8	P2, T3 T5	---

TOLERANCES UNLESS OTHERWISE SPECIFIED

DECIMALS

.00 ± .01

.000 ± .005

.0000 ± .0005

FRACTIONS ± 1/64

ANGLES ± 1/2°

INCH/MM

LEESON ELECTRIC CORPORATION

DRAWN JRW 09/26/74

TITLE EXTERNAL WIRING DIAGRAM
TYPE "K" W/PROTECTOR

CH'K'D.

APPR. TEM MAT'L. DECAL 004011

BRF

SCALE 1=1

REF. 005004

FINISH

SIZE

DRAWING NO.

FMF W-K 6341

A

005053-01

THIS DRAWING IN DESIGN AND DETAIL IS OUR PROPERTY AND MUST NOT BE USED EXCEPT IN CONNECTION WITH OUR WORK ALL RIGHTS OF DESIGN AND INVENTION ARE RESERVED



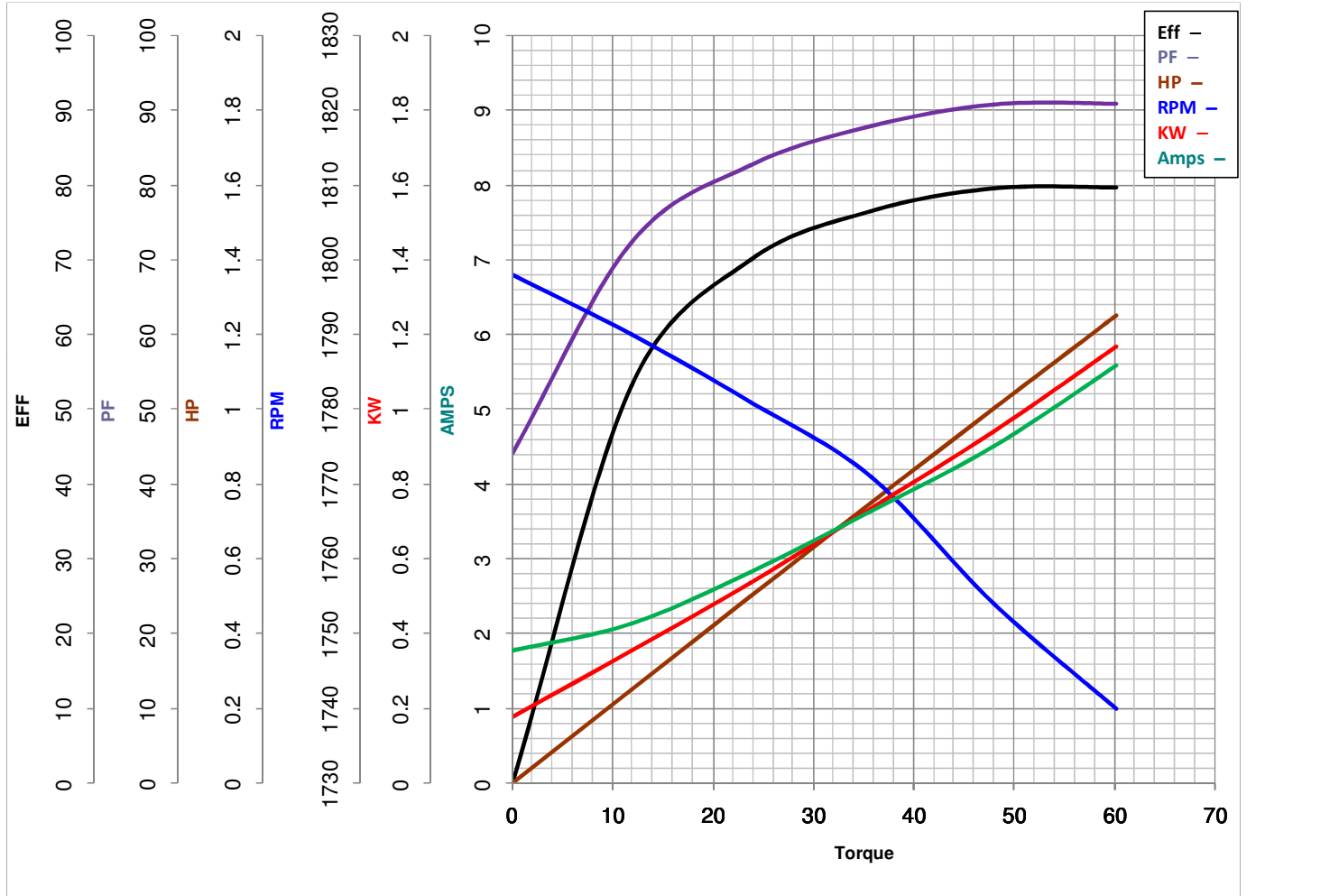
LEESON ELECTRIC CORPORATION
 TYPICAL PERFORMANCE CURVE for AC MOTOR

Model No E110007.00

Curve at 230 Volts HP 1.00 PHASE 1
60 HZ
1 HP VOLTS 115/230

Catalog No E110007.00

HZ 60 RPM 1725



FL TORQUE	<u>48</u>	Oz.Ft	FL AMPS	<u>8.4/4.2</u>	
BD TORQUE	<u>125.3</u>	Oz.Ft	PU TORQUE	<u>107.2</u>	Oz.Ft
LR TORQUE	<u>149.8</u>	Oz.Ft	LR AMPS	<u>33.4</u>	
WINDING	K634338-3		Date	3/21/2018	