

PRODUCT INFORMATION PACKET



Model No: M4K17DH20A

Catalog No: E103084.00

..1/2HP..1725RPM.S56C.DP.115/208-230V.1PH.60HZ.CONT.40C.1.25SF.RIGID.....GENERAL PURPOSE.MANUAL.....

Open Drip Proof (ODP)



Regal and Leeson are trademarks of Regal Beloit Corporation or one of its affiliated companies.

©2018 Regal Beloit Corporation, All Rights Reserved. MC017097E





Nameplate Specifications

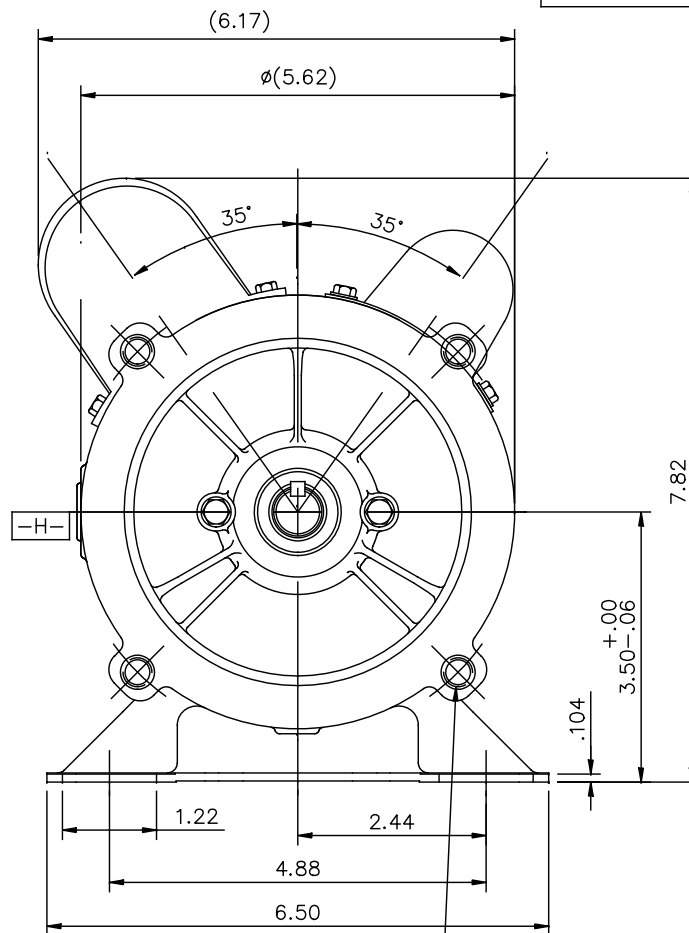
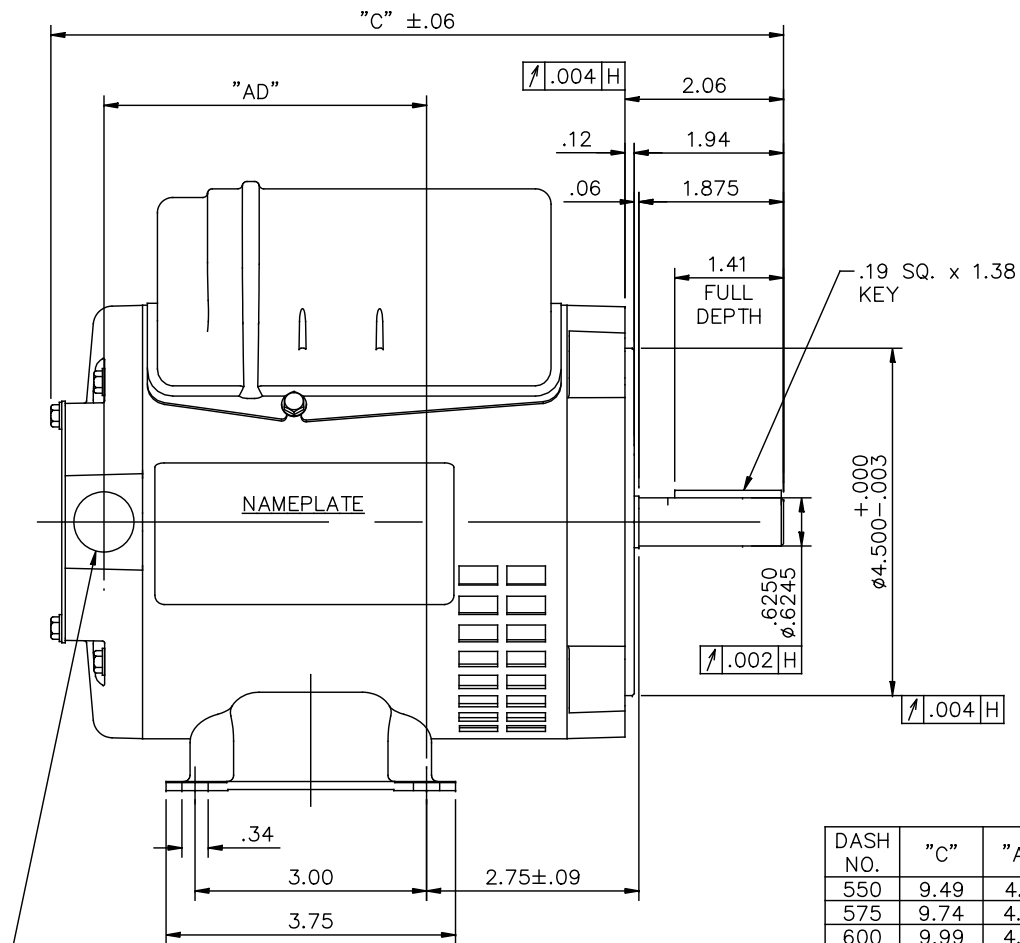
| | | | |
|----------------------------|-------------------|------------------------|-------------------|
| Output HP | 0.50 Hp | Output KW | 0.37 kW |
| Frequency | 60 Hz | Voltage | 115/230 V |
| Current | 4.6/2.3 A | Speed | 1745 rpm |
| Service Factor | 1.25 | Phase | 1 |
| Efficiency | 76.2 % | Duty | Continuous |
| Insulation Class | B | Design Code | N |
| KVA Code | K | Frame | S56C |
| Enclosure | Drip Proof | Overload Protector | Manual |
| Ambient Temperature | 40 °C | Drive End Bearing Size | 6203 |
| Opp Drive End Bearing Size | 6203 | UL | Recognized |
| CSA | Y | CE | Y |
| IP Code | 12 | | |

Technical Specifications

| | | | |
|-----------------------|--------------------------------------|-----------------------|-----------------------------------|
| Electrical Type | Capacitor Start Capacitor Run | Starting Method | Across The Line |
| Poles | 4 | Rotation | Selective Counterclockwise |
| Mounting | Rigid base | Motor Orientation | HORIZONTAL |
| Drive End Bearing | BALL | Opp Drive End Bearing | BALL |
| Frame Material | Rolled Steel | Shaft Type | NEMA 56 |
| Overall Length | 11.49 in | Frame Length | 7.50 in |
| Shaft Diameter | 0.625 in | Shaft Extension | 1.88 in |
| Assembly/Box Mounting | F1 ONLY | | |
| Outline Drawing | A-SS404120-750 | Connection Diagram | 005053.40 |

This is an uncontrolled document once printed or downloaded and is subject to change without notice. Date Created: 10/15/2018

SS404120

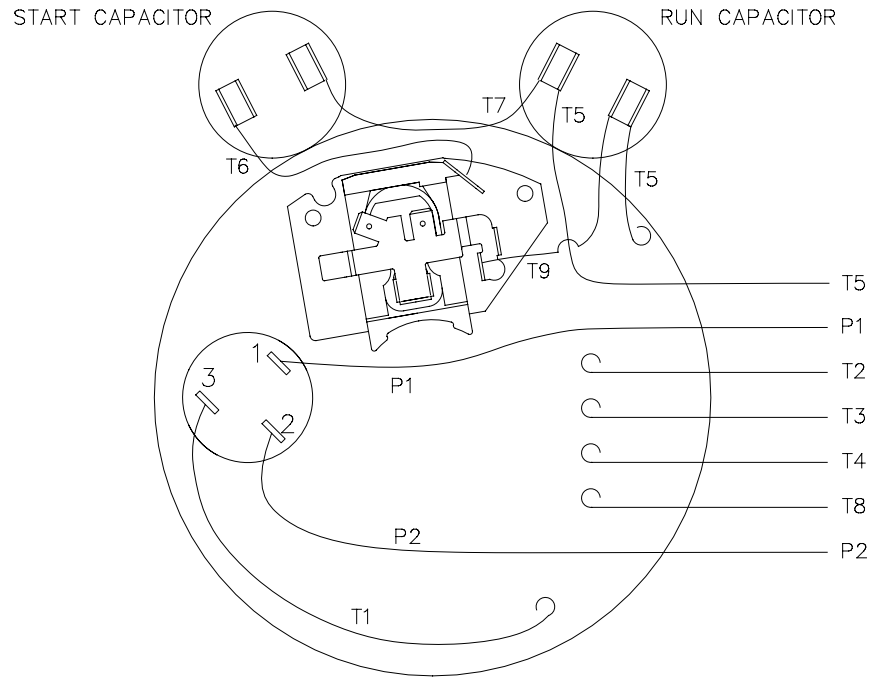


| DASH NO. | "C" | "AD" |
|----------|-------|------|
| 550 | 9.49 | 4.18 |
| 575 | 9.74 | 4.43 |
| 600 | 9.99 | 4.68 |
| 625 | 10.24 | 4.93 |
| 650 | 10.49 | 5.18 |
| 675 | 10.74 | 5.43 |
| 700 | 10.99 | 5.68 |
| 725 | 11.24 | 5.93 |
| 750 | 11.49 | 6.18 |
| 800 | 11.99 | 6.68 |

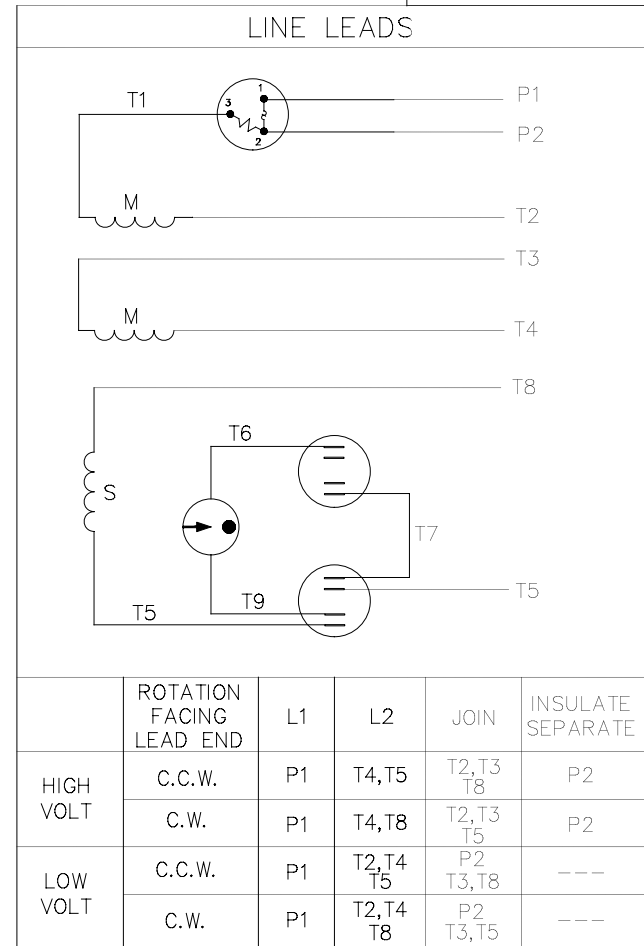
1/2-14 NPT CONDUIT HOLE (PLUGGED)

| | | | | | | | |
|-----|---------------------|----------------|-----|-----------------------------|-------------------|------------------------------------|-------------------------|
| | | | | TOLERANCES UNLESS SPECIFIED | | DRAWN JAH 12/02/2014 | |
| | | | | DEC. | INCHES | CHK SM 12/02/2014 | |
| | | | | .X | ±.1 | APPD | |
| | | | | .XX | ±.03 | SCALE NTS | |
| | | | | .XXX | ±.005 | REF SS404118 | |
| A | CREATED NEW DRAWING | JAH 12/02/2014 | SM | .XXXX | ±.0005 | TITLE OUTLINE | |
| NO. | REVISION | BY & DATE | CHK | ANG | ±7'30" | S56 FRAME RIGID MOUNT - DRIP PROOF | |
| | | | | RFP | CAD FILE SS404120 | SIZE A | DRAWING NO. PAGE 1 OF 1 |
| | | | | DIST | WP | REV. A | |
| | | | | | | SS404120 | |





VIEW FROM OUTSIDE OF MOTOR AT SWITCH END



| | | | | | | | | |
|--|-----------------------|-----------|--------|--------------------------------|-------------------|---|---|-------------|
| | | | | TOLERANCES UNLESS SPECIFIED | | REGAL ™ Regal Beloit America, Inc. | DRAWN PG 7/2/02 | |
| | | | | DEC. | INCHES | | CHK | |
| | | | | .X | ±.1 | | APPD | |
| | | | | .XX | ±.01 | | SCALE 5=8 | |
| | | | | .XXX | ±.005 | REF 005053.01 | | |
| A | CHANGED LOGO TO REGAL | PST | 2/1/16 | SKM | .XXXX | ±.0005 | TITLE EXTERNAL WIRING DIAGRAM TYPE "K" W/PROTECTOR | |
| NO. | REVISION | BY & DATE | CHK | ANG | ±1/2" | MAT'L. DUAL VOLTAGE - DUAL ROTATION | | |
| THIS DRAWING IN DESIGN AND DETAIL IS OUR PROPERTY AND MUST NOT BE USED EXCEPT IN CONNECTION WITH OUR WORK ALL RIGHTS OF DESIGN AND INVENTION ARE RESERVED THIS IS AN ELECTRONICALLY GENERATED DOCUMENT - DO NOT SCALE THIS PRINT | | | | RFP | CAD FILE 00505340 | | SIZE | DRAWING NO. |
| | | | | DIST | | | A | 005053-40 |



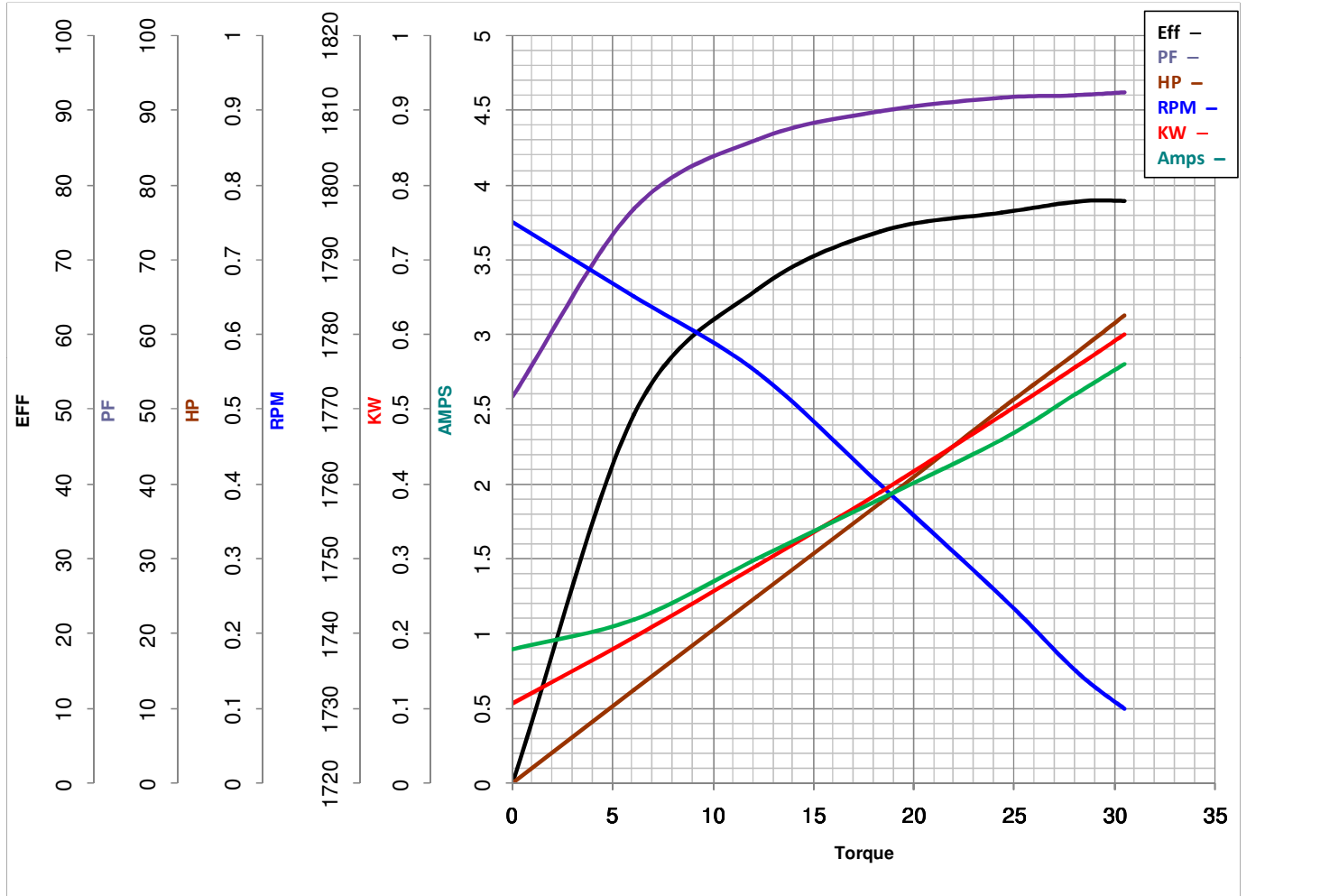
LEESON ELECTRIC CORPORATION
 TYPICAL PERFORMANCE CURVE for AC MOTOR

Model No E103084.00

Catalog No E103084.00

Curve at 230 Volts HP 0.50 PHASE 1
60 HZ
0.5 HP VOLTS 115/230

HZ 60 RPM 1745



Torque in Oz.Ft

FL TORQUE 24.4 Oz.Ft
 BD TORQUE 60.4 Oz.Ft
 LR TORQUE 75.6 Oz.Ft

FL AMPS 4.6/2.3
 PU TORQUE 75.4 Oz.Ft
 LR AMPS 17.7

WINDING BE484110-3

Date 3/27/2018