

# PRODUCT INFORMATION PACKET



Model No: C4K34DK4A

Catalog No: E103025.00

..3/4HP..3600RPM.S56C.ODP.115/230V.1PH.60HZ.CONT.40C.1.25S.F..RIGID C FACE.....GENERAL PURPOSE.NOT.....

Open Drip Proof (ODP)



Regal and Leeson are trademarks of Regal Beloit Corporation or one of its affiliated companies.

©2018 Regal Beloit Corporation, All Rights Reserved. MC017097E



Product Information Packet: Model No: C4K34DK4A, Catalog No:E103025.00  
 .3/4HP..3600RPM.S56C.ODP.115/230V.1PH.60HZ.CONT.40C.1.25S.F..RIGID C FACE.....GENERAL  
 PURPOSE.NOT.....



### Nameplate Specifications

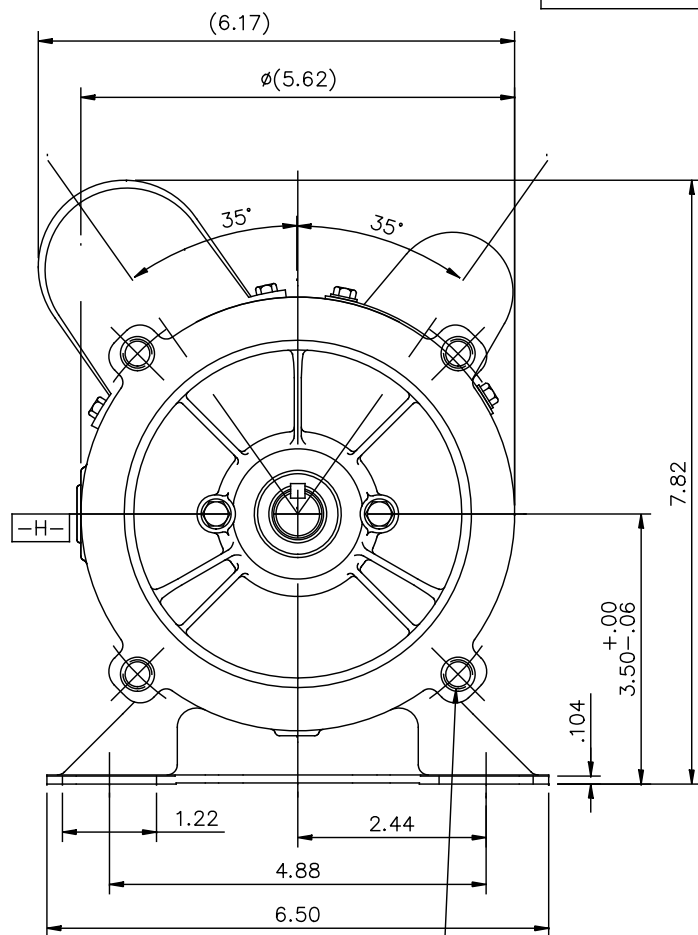
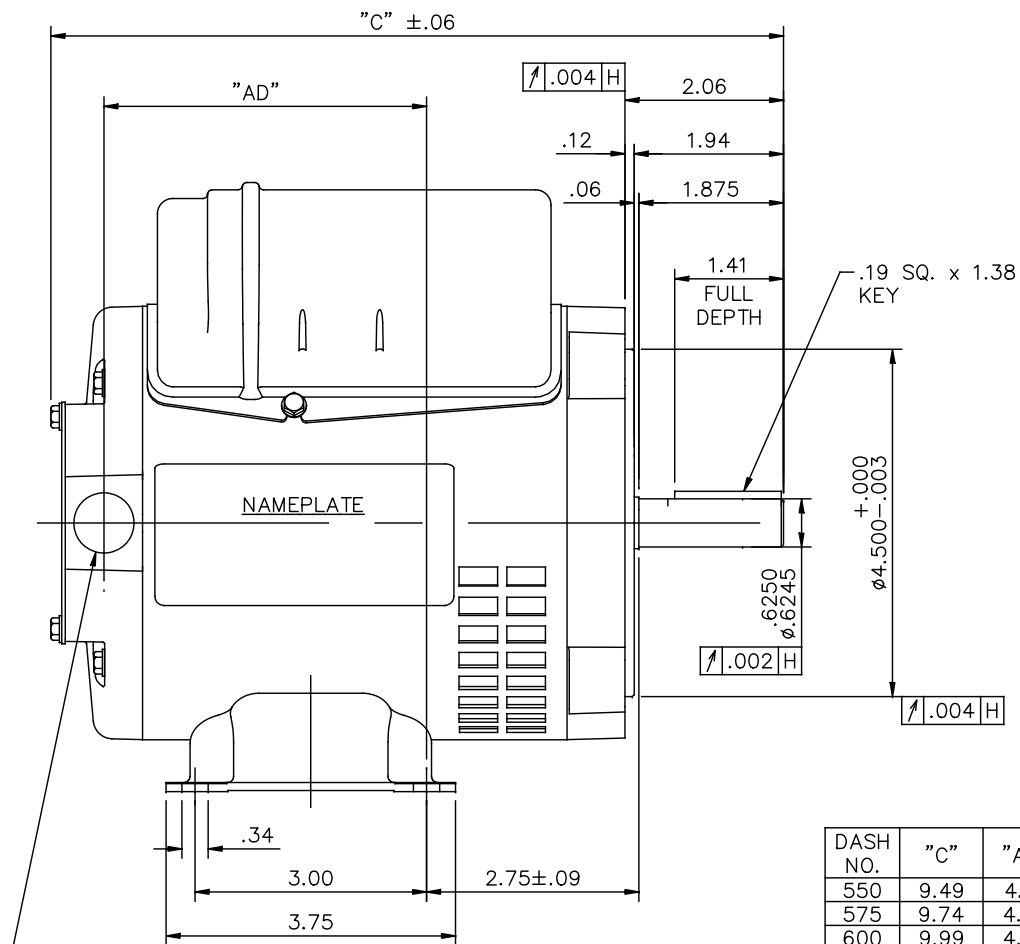
Output HP	0.75 Hp	Output KW	0.56 kW
Frequency	60 Hz	Voltage	115/230 V
Current	7.2/3.6 A	Speed	3450 rpm
Service Factor	1.25	Phase	1
Efficiency	76.2 %	Duty	Continuous
Insulation Class	B	Design Code	N
KVA Code	K	Frame	S56C
Enclosure	Drip Proof	Overload Protector	No
Ambient Temperature	40 °C	Drive End Bearing Size	6203
Opp Drive End Bearing Size	6203	UL	Recognized
CSA	Y	CE	Y
IP Code	22		

### Technical Specifications

Electrical Type	Capacitor Start Capacitor Run	Starting Method	Across The Line
Poles	2	Rotation	Selective Counterclockwise
Mounting	Rigid base	Motor Orientation	HORIZONTAL
Drive End Bearing	BALL	Opp Drive End Bearing	BALL
Frame Material	Rolled Steel	Shaft Type	NEMA 56
Overall Length	11.49 in	Frame Length	7.50 in
Shaft Diameter	0.625 in	Shaft Extension	1.88 in
Assembly/Box Mounting	F1 ONLY		
Outline Drawing	A-SS404120-750	Connection Diagram	A-005054.15-REGAL

This is an uncontrolled document once printed or downloaded and is subject to change without notice. Date Created: 10/15/2018

SS404120



DASH NO.	"C"	"AD"
550	9.49	4.18
575	9.74	4.43
600	9.99	4.68
625	10.24	4.93
650	10.49	5.18
675	10.74	5.43
700	10.99	5.68
725	11.24	5.93
750	11.49	6.18
800	11.99	6.68

1/2-14 NPT CONDUIT HOLE (PLUGGED)

3/8-16 UNC 2B TAP x .56 DEEP (4) REQ'D. ON A ø5.875 B.C.

		TOLERANCES UNLESS SPECIFIED		REGAL™ Regal Beloit America, Inc.		DRAWN JAH 12/02/2014			
		DEC.	INCHES			CHK SM 12/02/2014			
		.X	±.1			APPD			
		.XX	±.03	TITLE OUTLINE S56 FRAME RIGID MOUNT – DRIP PROOF		SCALE NTS			
		.XXX	±.005			REF SS404118			
A	CREATED NEW DRAWING	JAH 12/02/2014	SM .XXXX ±.0005			MAT'L.		FMF	
NO.	REVISION	BY & DATE	CHK ANG ±7'30"	FINISH		PREV			
THIS DRAWING IN DESIGN AND DETAIL IS OUR PROPERTY AND MUST NOT BE USED EXCEPT IN CONNECTION WITH OUR WORK ALL RIGHTS OF DESIGN AND INVENTION ARE RESERVED THIS IS AN ELECTRONICALLY GENERATED DOCUMENT – DO NOT SCALE THIS PRINT				RFP	CAD FILE SS404120		SIZE A	DRAWING NO. PAGE 1 OF 1	REV. A
				DIST WP			SS404120		

