

# PRODUCT INFORMATION PACKET



Model No: C4K34DK3A

Catalog No: E103024.00

..1/2HP..3600RPM.S56C.ODP.115/230V.1PH.60HZ.CONT.40C.1.25S.F..RIGID C FACE.....GENERAL PURPOSE.NOT.....

Open Drip Proof (ODP)



Regal and Leeson are trademarks of Regal Beloit Corporation or one of its affiliated companies.

©2018 Regal Beloit Corporation, All Rights Reserved. MC017097E



Product Information Packet: Model No: C4K34DK3A, Catalog No:E103024.00  
 ..1/2HP..3600RPM.S56C.ODP.115/230V.1PH.60HZ.CONT.40C.1.25S.F..RIGID C FACE.....GENERAL  
 PURPOSE.NOT.....



### Nameplate Specifications

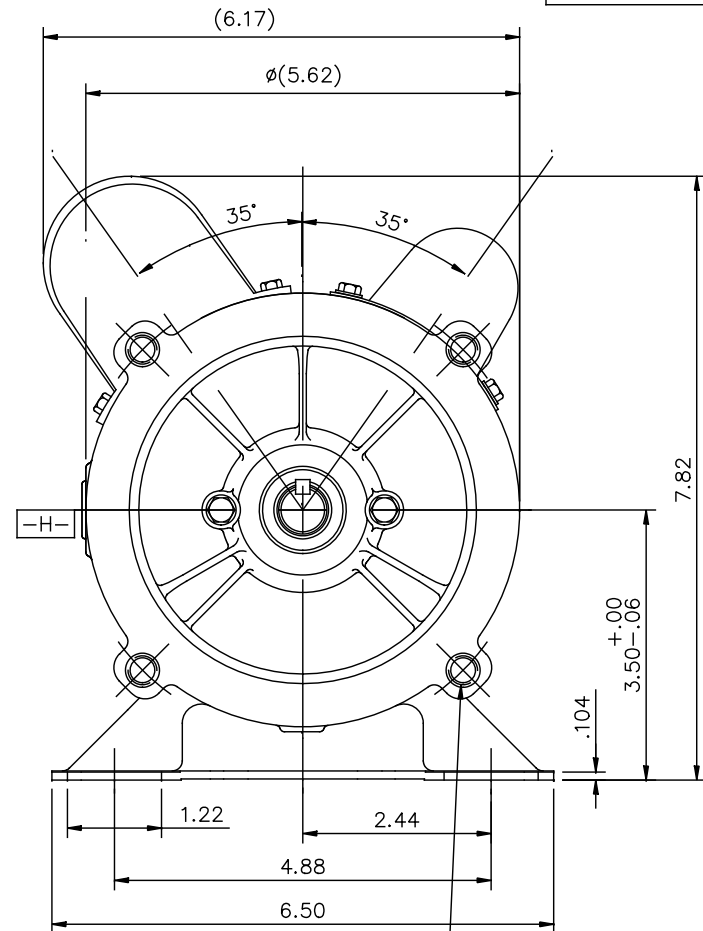
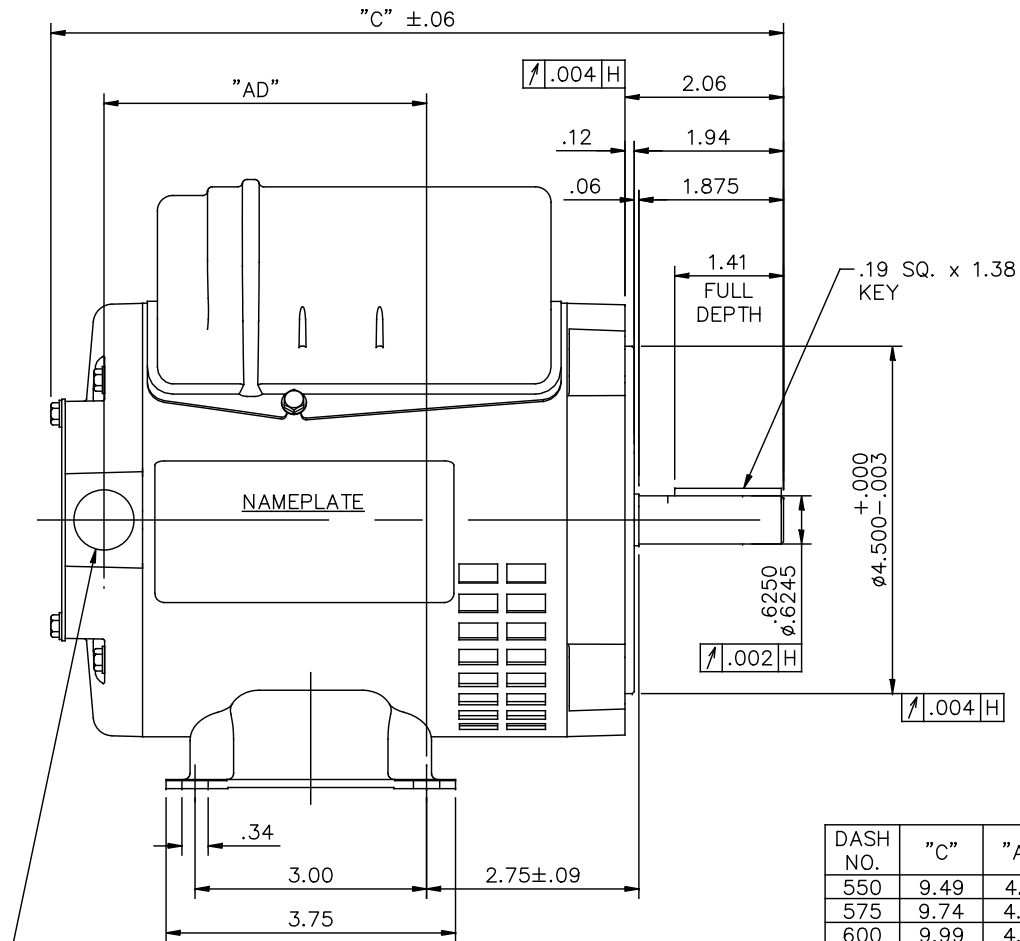
Output HP	0.50 Hp	Output KW	0.37 kW
Frequency	60 Hz	Voltage	115/230 V
Current	4.4/2.2 A	Speed	3450 rpm
Service Factor	1.25	Phase	1
Efficiency	72.4 %	Duty	Continuous
Insulation Class	B	Design Code	N
KVA Code	L	Frame	S56C
Enclosure	Drip Proof	Overload Protector	No
Ambient Temperature	40 °C	Drive End Bearing Size	6203
Opp Drive End Bearing Size	6203	UL	Recognized
CSA	Y	CE	Y
IP Code	22		

### Technical Specifications

Electrical Type	Capacitor Start Capacitor Run	Starting Method	Across The Line
Poles	2	Rotation	Selective Counterclockwise
Mounting	Rigid base	Motor Orientation	HORIZONTAL
Drive End Bearing	BALL	Opp Drive End Bearing	BALL
Frame Material	Rolled Steel	Shaft Type	NEMA 56
Overall Length	10.74 in	Frame Length	6.75 in
Shaft Diameter	0.625 in	Shaft Extension	1.88 in
Assembly/Box Mounting	F1 ONLY		
Outline Drawing	A-SS404120-700	Connection Diagram	A-005054-15-REGAL

This is an uncontrolled document once printed or downloaded and is subject to change without notice. Date Created: 10/15/2018

SS404120



DASH NO.	"C"	"AD"
550	9.49	4.18
575	9.74	4.43
600	9.99	4.68
625	10.24	4.93
650	10.49	5.18
675	10.74	5.43
700	10.99	5.68
725	11.24	5.93
750	11.49	6.18
800	11.99	6.68

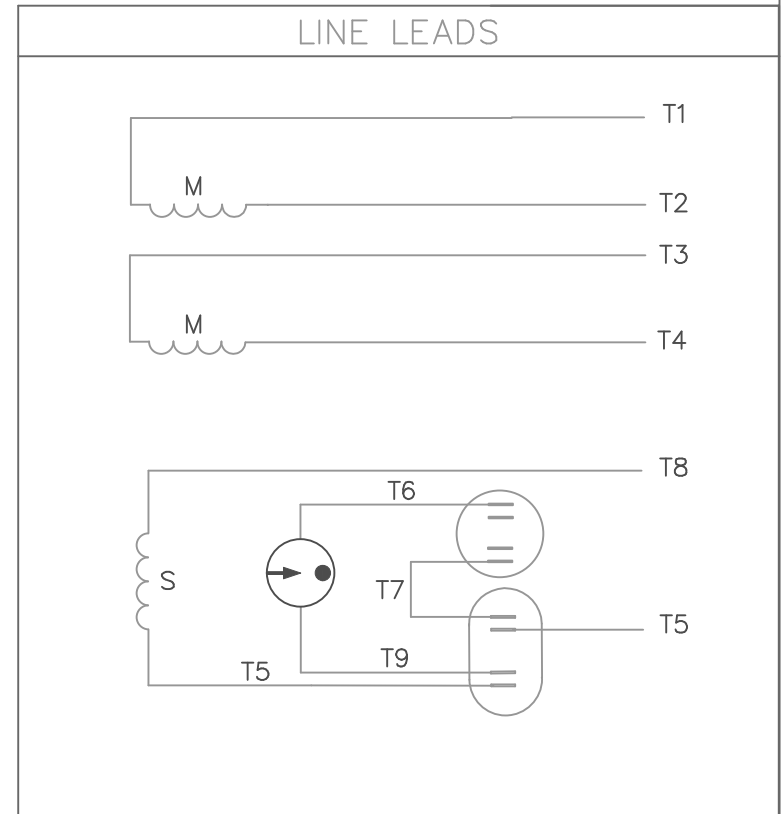
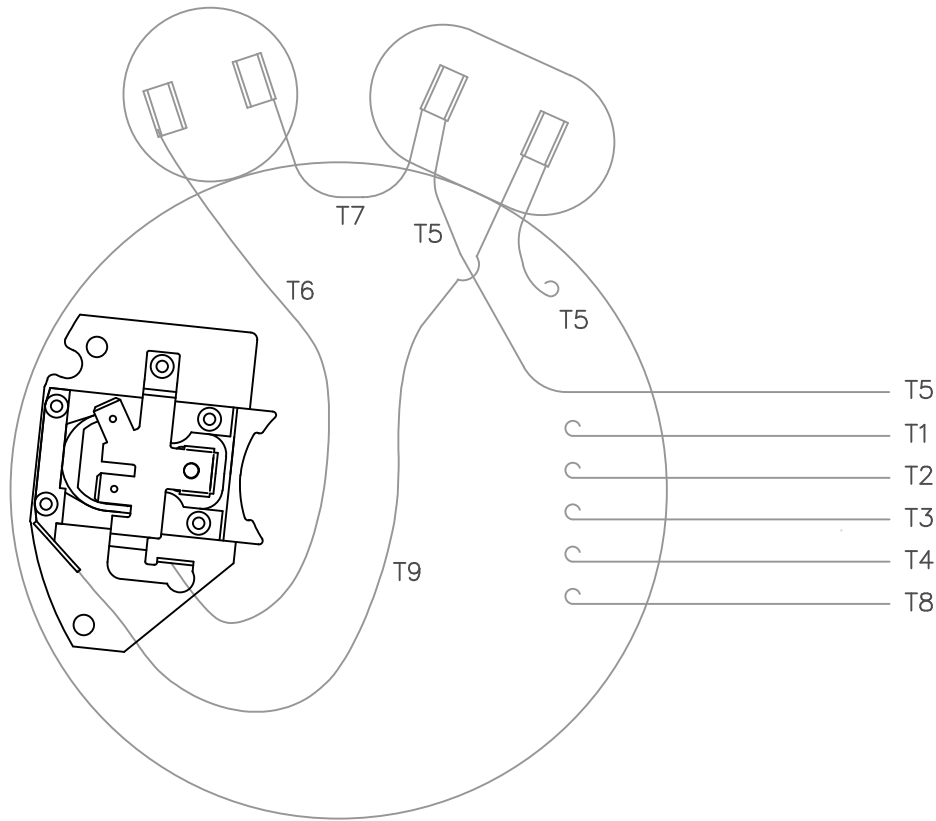
1/2-14 NPT CONDUIT HOLE (PLUGGED)

3/8-16 UNC 2B TAP x .56 DEEP (4) REQ'D. ON A ø5.875 B.C.

		TOLERANCES UNLESS SPECIFIED		DRAWN JAH 12/02/2014	
		DEC.	INCHES	CHK SM 12/02/2014	
		.X	±.1	APPD	
		.XX	±.03	SCALE NTS	
		.XXX	±.005	REF SS404118	
A	CREATED NEW DRAWING	JAH 12/02/2014	SM .XXXX ±.0005	TITLE OUTLINE	
NO.	REVISION	BY & DATE	CHK ANG ±7'30"	S56 FRAME RIGID MOUNT – DRIP PROOF	
				MAT'L.	
				FINISH	
				PREV	
THIS DRAWING IN DESIGN AND DETAIL IS OUR PROPERTY AND MUST NOT BE USED EXCEPT IN CONNECTION WITH OUR WORK ALL RIGHTS OF DESIGN AND INVENTION ARE RESERVED THIS IS AN ELECTRONICALLY GENERATED DOCUMENT – DO NOT SCALE THIS PRINT		RFP	CAD FILE SS404120	SIZE A	DRAWING NO. PAGE 1 OF 1
		DIST WP			SS404120
					REV. A



VIEW FROM OUTSIDE OF MOTOR AT SWITCH END.



	ROTATION FACING LEAD END	L1	L2	JOIN
HIGH VOLT	C.C.W.	T1	T4 T5	T2, T3 T8
	C.W.	T1	T4 T8	T2, T3 T5
LOW VOLT	C.C.W.	T1 T3, T8	T2, T4 T5	
	C.W.	T1, T3 T5	T2, T4 T8	

		TOLERANCES UNLESS SPECIFIED	
		DEC.	INCHES
		.X	±.1
		.XX	±.01
		.XXX	±.005
		.XXXX	±.0005
NO.	REVISION	BY & DATE	CHK
			ANG ±1/2'



ELECTRIC MOTORS  
GEARMOTORS  
AND DRIVES

TITLE	EXTERNAL WIRING DIAGRAM TYPE "K" W/O PROTECTOR
MAT'L.	DECAL 004012
FINISH	
RFP	CAD FILE 00505415
DIST	

DRAWN	PG 4/17/03
CHK	
APPD	
SCALE	1=1
REF	005054-01
FMF	102368.00
PREV	
SIZE	DRAWING NO.
A	005054-15
REV.	



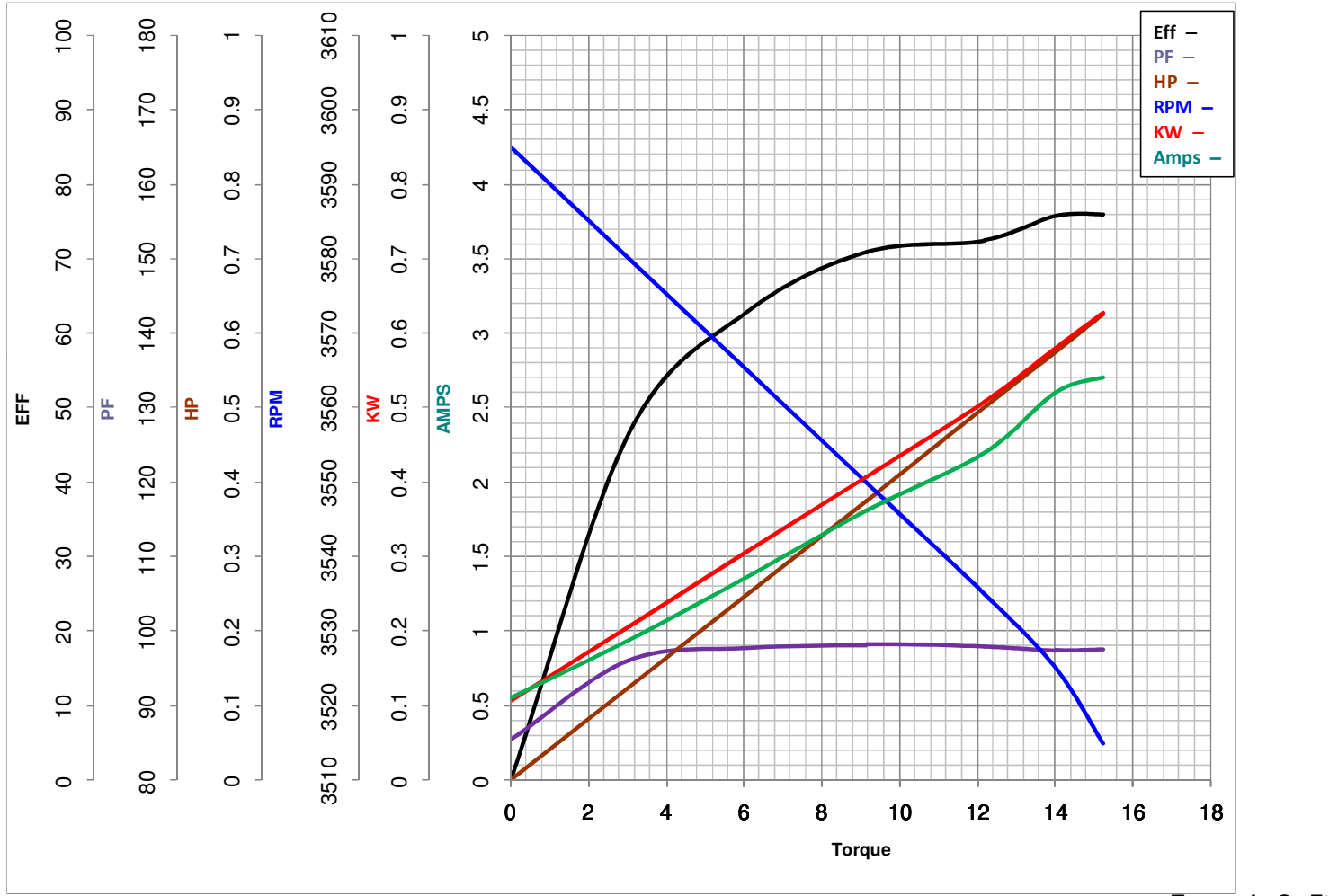
**LEESON ELECTRIC CORPORATION**  
 TYPICAL PERFORMANCE CURVE for AC MOTOR

Model No E103024.00

Catalog No E103024.00

Curve at 230 Volts      HP 0.50      PHASE 1  
60 HZ  
0.5 HP      VOLTS 115/230

HZ 60      RPM 3450



FL TORQUE	<u>12.2</u> Oz.Ft	FL AMPS	<u>4.4/2.2</u>
BD TORQUE	<u>34.0</u> Oz.Ft	PU TORQUE	<u>32.8</u> Oz.Ft
LR TORQUE	<u>33.23</u> Oz.Ft	LR AMPS	<u>21.16</u>
WINDING	BE48277-3	Date	3/27/2018