

PRODUCT INFORMATION PACKET



Model No: A4K17DJ14A

Catalog No: E101611.00

1/2HP..1725RPM.48.DP.115/208-230V.1PH.60HZ.CONT.AUTOMATIC.40C.1.25SF.RESILIENT BASE.

Open Drip Proof (ODP)



Regal and Leeson are trademarks of Regal Beloit Corporation or one of its affiliated companies.

©2018 Regal Beloit Corporation, All Rights Reserved. MC017097E





Nameplate Specifications

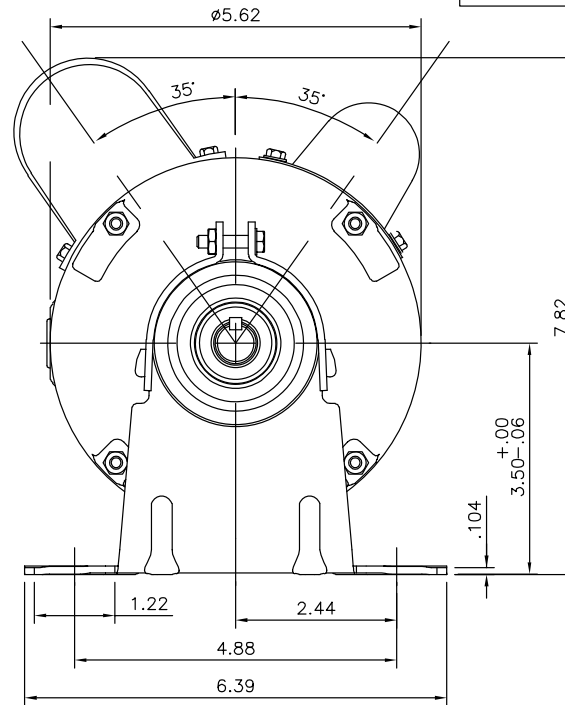
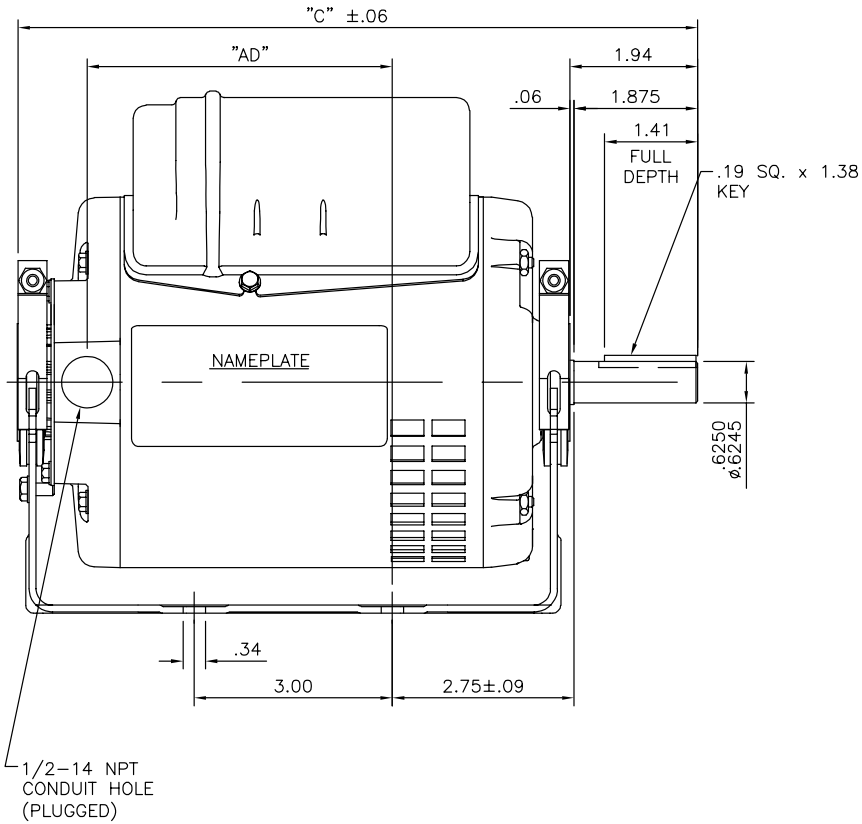
Output HP	0.50 Hp	Output KW	0.37 kW
Frequency	60 Hz	Voltage	115/230 V
Current	4.6/2.3 A	Speed	1745 rpm
Service Factor	1.25	Phase	1
Efficiency	76.2 %	Duty	Continuous
Insulation Class	B	Design Code	N
KVA Code	K	Frame	S56
Enclosure	Drip Proof	Overload Protector	Automatic
Ambient Temperature	40 °C	Drive End Bearing Size	6203
Opp Drive End Bearing Size	6203	UL	Recognized
CSA	Y	CE	Y
IP Code	12		

Technical Specifications

Electrical Type	Capacitor Start Capacitor Run	Starting Method	Across The Line
Poles	4	Rotation	Selective Counterclockwise
Mounting	Resilient Base	Motor Orientation	HORIZONTAL
Drive End Bearing	BALL	Opp Drive End Bearing	BALL
Frame Material	Rolled Steel	Shaft Type	T
Overall Length	12.31 in	Frame Length	7.50 in
Shaft Diameter	0.625 in	Shaft Extension	1.88 in
Assembly/Box Mounting	F1 ONLY		
Outline Drawing	A-SS404125-750	Connection Diagram	005053.58

This is an uncontrolled document once printed or downloaded and is subject to change without notice. Date Created: 10/15/2018

SS404125



DASH NO.	"C"	"AD"
700	11.81	6.12
750	12.31	6.62

TOLERANCES UNLESS SPECIFIED	
DEC.	INCHES
.X	±.1
.XX	±.03
.XXX	±.005
.XXXX	±.0005
CHK ANG	±7'30"



Regal Beloit America, Inc.

DRAWN	PVR	12/19/14
CHK	VS	12/19/14
APPD		
SCALE	NTS	
REF	031623	
FMF		
PREV		

TITLE OUTLINE
S56 FRAME ROUND MOUNT - DRIP PROOF

MAT'L.

FINISH

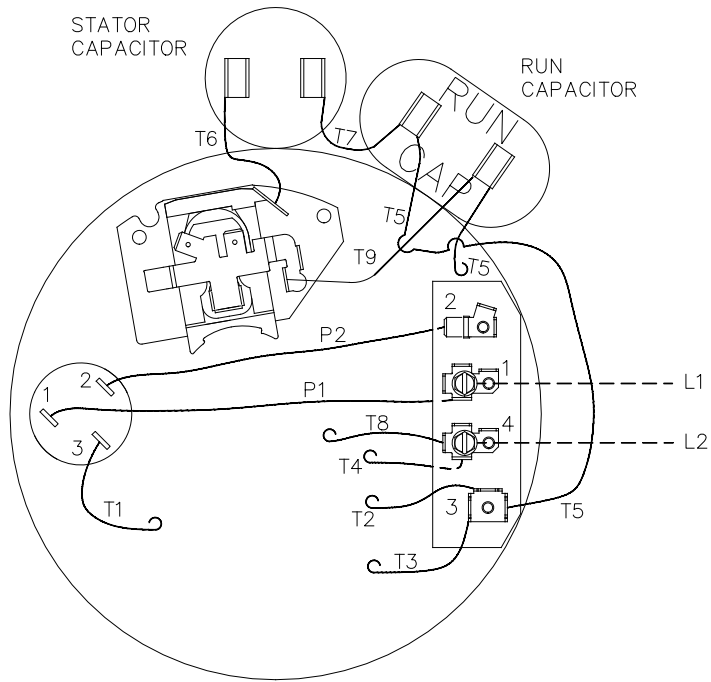
NO. REVISION BY & DATE
THIS DRAWING IN DESIGN AND DETAIL IS OUR PROPERTY AND MUST NOT BE USED EXCEPT IN CONNECTION WITH OUR WORK ALL RIGHTS OF DESIGN AND INVENTION ARE RESERVED THIS IS AN ELECTRONICALLY GENERATED DOCUMENT - DO NOT SCALE THIS PRINT

RFP	CAD FILE SS404125
DIST	WP

SIZE	DRAWING NO.	PAGE	1 OF 1	REV.
A	SS404125			

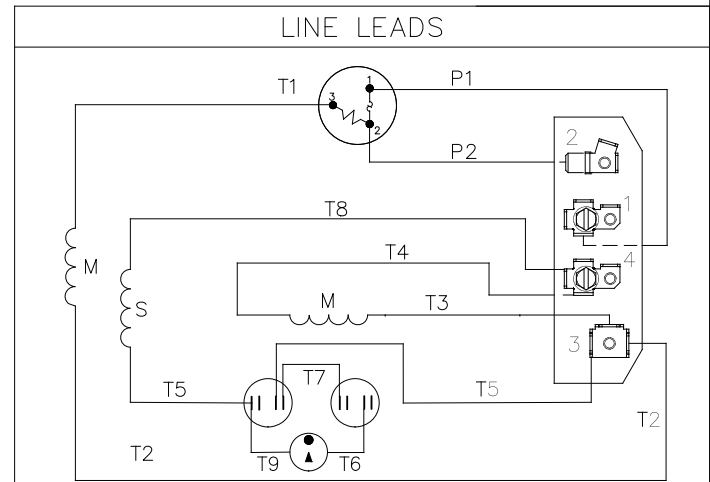
005053-58

VIEW FROM OUTSIDE OF MOTOR AT SWITCH END.

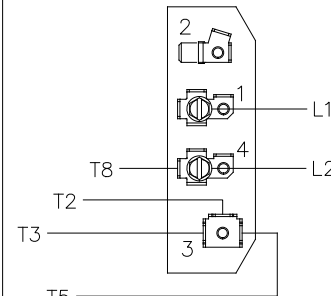


HIGH VOLTAGE
CWLE ROTATION SHOWN

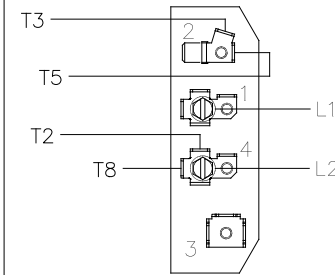
P1, P2, T4 TO GO TO
BACK SIDE OF TERMINAL BOARD



HIGH VOLTAGE
C.W.L.E. ROTATION



LOW VOLTAGE
C.W.L.E. ROTATION



FOR C.C.W. ROTATION INTERCHANGE T5 AND T8.

				TOLERANCES UNLESS SPECIFIED		REGAL ™ Regal Beloit America, Inc.	DRAWN AS 12/20/16		
				DEC.	INCHES		CHK MSD 12/20/16		
				.X	±.1	TITLE	APPD MSD 12/20/16		
				.XX	±.01	EXTERNAL WIRING DIAGRAM	SCALE 1=1		
				.XXX	±.005	TYPE "K" W/PROTECTOR	REF 005049-16		
A	NEW DRAWING	AS 12/20/16	MSD	.XXXX	±.0005	MAT'L. DUAL VOLTAGE - DUAL ROTATION	FMF E101611.00		
NO.	REVISION	BY & DATE	CHK	ANG	±1/2"	FINISH	PREV		
THIS DRAWING IN DESIGN AND DETAIL IS OUR PROPERTY AND MUST NOT BE USED EXCEPT IN CONNECTION WITH OUR WORK ALL RIGHTS OF DESIGN AND INVENTION ARE RESERVED THIS IS AN ELECTRONICALLY GENERATED DOCUMENT - DO NOT SCALE THIS PRINT				RFP	CAD FILE	00505358	SIZE A	DRAWING NO. 005053-58	REV. A
				DIST					



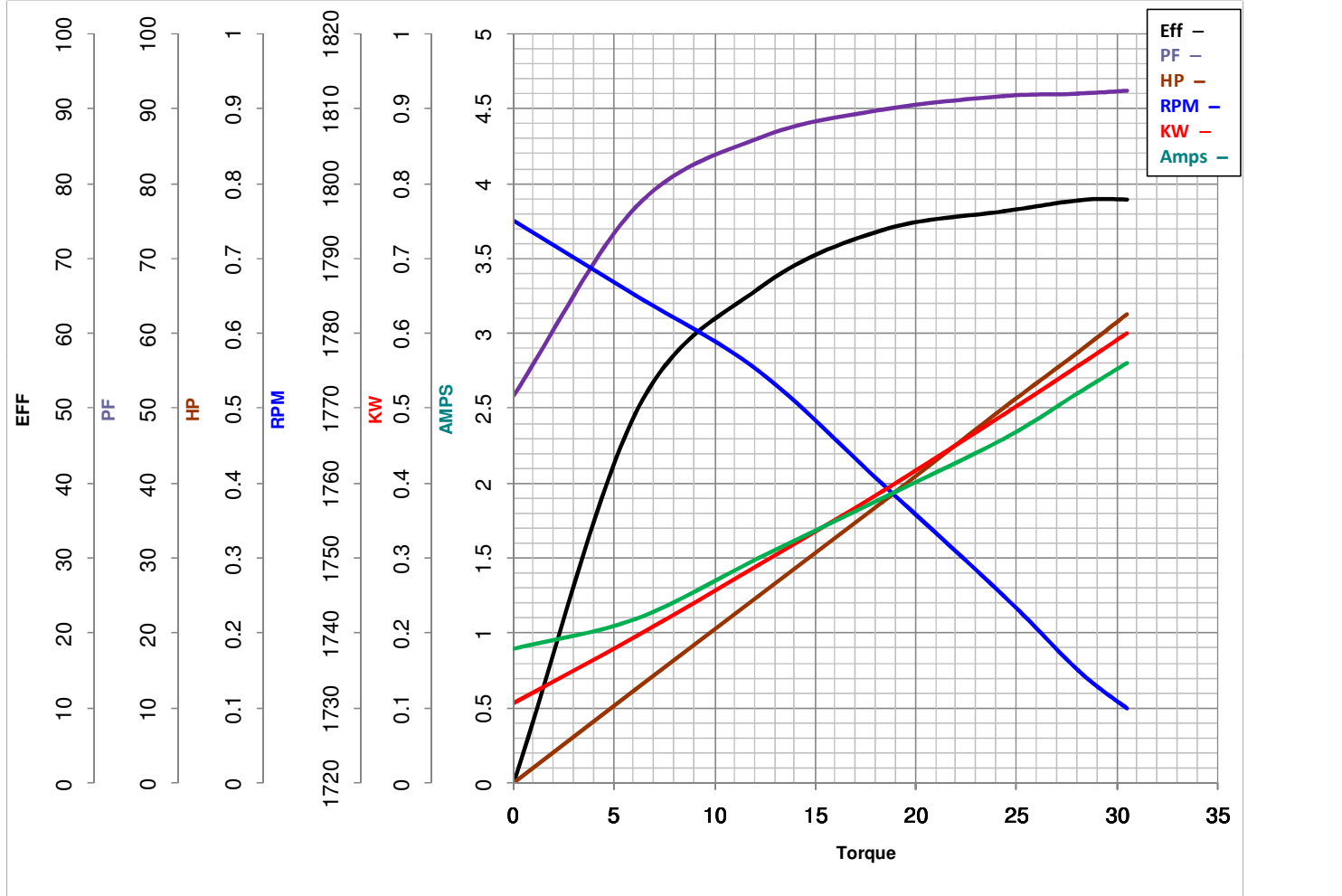
LEESON ELECTRIC CORPORATION
 TYPICAL PERFORMANCE CURVE for AC MOTOR

Model No E101611.00

Catalog No E101611.00

Curve at 230 Volts HP 0.50 PHASE 1
60 HZ
0.5 HP VOLTS 115/230

HZ 60 RPM 1745



FL TORQUE	<u>24.4</u>	Oz.Ft	FL AMPS	<u>4.6/2.3</u>	
BD TORQUE	<u>60.4</u>	Oz.Ft	PU TORQUE	<u>75.4</u>	Oz.Ft
LR TORQUE	<u>75.6</u>	Oz.Ft	LR AMPS	<u>17.7</u>	
WINDING	BE484110-3		Date	<u>4/19/2018</u>	