

# PRODUCT INFORMATION PACKET



Model No: E101433.00  
Catalog No: E101433.00  
0.75 HP General Purpose Motor, 1 phase, 3600 RPM, 115/230 V, 48 Frame, ODP  
Single Phase ODP Motors



Regal and Leeson are trademarks of Regal Beloit Corporation or one of its affiliated companies.  
©2019 Regal Beloit Corporation, All Rights Reserved. MC017097E

REGAL



### Nameplate Specifications

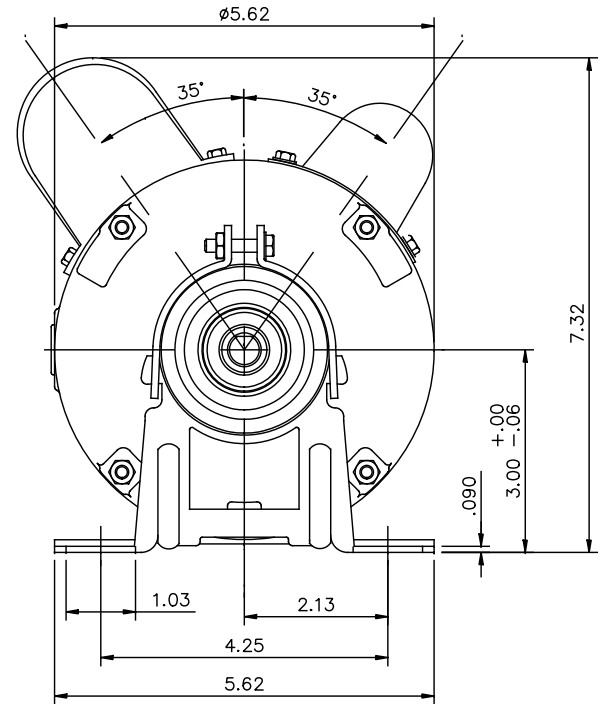
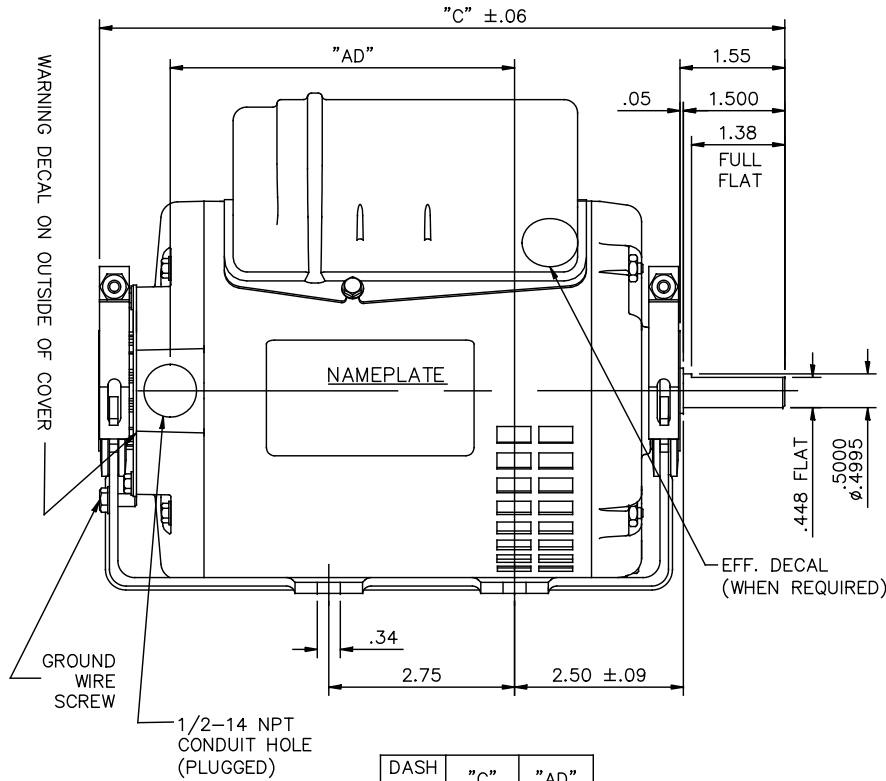
Output HP	0.75 Hp	Output KW	0.56 kW
Frequency	60 Hz	Voltage	115/230 V
Current	7.2/3.6 A	Speed	3450 rpm
Service Factor	1	Phase	1
Efficiency	76.2 %	Power Factor	89.2
Duty	Continuous	Insulation Class	B
Design Code	No Design Code	KVA Code	K
Frame	48	Enclosure	Drip Proof
Thermal Protection	Automatic	Ambient Temperature	40 °C
Drive End Bearing Size	6203	Opp Drive End Bearing Size	6203
UL	Recognized	CSA	Y
CE	Y	IP Code	22

### Technical Specifications

Electrical Type	Capacitor Start Capacitor Run	Starting Method	Across The Line
Poles	2	Rotation	Selective Counterclockwise
Resistance Main	0 Ohms	Mounting	Resilient Base
Motor Orientation	Horizontal	Drive End Bearing	Ball
Opp Drive End Bearing	Ball	Frame Material	Rolled Steel
Shaft Type	NEMA 48	Overall Length	11.89 in
Frame Length	7.50 in	Shaft Diameter	0.500 in
Shaft Extension	1.5 in	Assembly/Box Mounting	F1 Only

This is an uncontrolled document once printed or downloaded and is subject to change without notice. Date Created:01/11/2019

SS404219



DASH NO.	"C"	"AD"
500	9.39	4.34
550	9.89	4.84
600	10.39	5.34
625	10.64	5.59
650	10.89	5.84
675	11.14	6.09
700	11.39	6.34
750	11.89	6.84

		TOLERANCES UNLESS SPECIFIED		REGAL™ Regal Beloit America, Inc.		DRAWN PVR 09/28/16
		DEC.	INCHES			CHK
		.X	±.1	TITLE OUTLINE		APPD
		.XX	±.03	S56 FRAME ROUND MOUNT – DRIP PROOF		SCALE NTS
B	ADDED DASH # 625	AS 12-28-16	PVR .XXX	±.005	MAT'L.	REF 031623
A	ADDED DASH # 700 & #750	AS 11-14-16	PVR .XXXX	±.0005	FINISH	FMF
NO.	REVISION	BY & DATE	CHK	ANG ±7'30"		PREV
THIS DRAWING IN DESIGN AND DETAIL IS OUR PROPERTY AND MUST NOT BE USED EXCEPT IN CONNECTION WITH OUR WORK ALL RIGHTS OF DESIGN AND INVENTION ARE RESERVED THIS IS AN ELECTRONICALLY GENERATED DOCUMENT – DO NOT SCALE THIS PRINT			RFP	CAD FILE SS404219	SIZE A	DRAWING NO. PAGE 1 OF 1 REV. B
			DIST WP			SS404219