

PRODUCT INFORMATION PACKET



Model No: A4K34DR2A

Catalog No: E101432.00

1/2HP..3450RPM.48.DP.115/230V.1PH.60HZ.CONT.AUTOMATIC.40C.1.0SF.RESILIENT BASE.

Open Drip Proof (ODP)



Regal and Leeson are trademarks of Regal Beloit Corporation or one of its affiliated companies.

©2018 Regal Beloit Corporation, All Rights Reserved. MC017097E





Nameplate Specifications

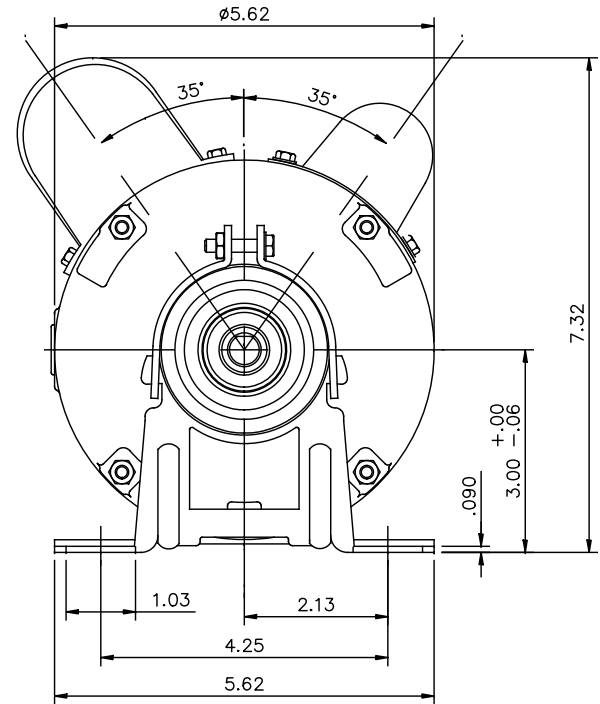
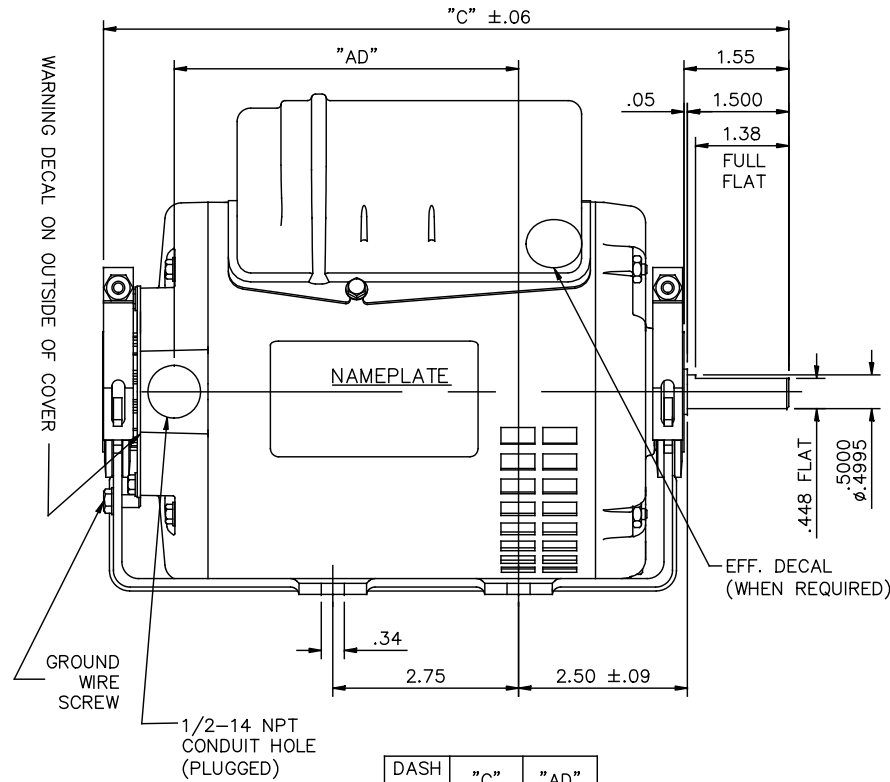
Output HP	0.50 Hp	Output KW	0.37 kW
Frequency	60 Hz	Voltage	115/230 V
Current	4.4/2.2 A	Speed	3450 rpm
Service Factor	1	Phase	1
Efficiency	72.4 %	Duty	Continuous
Insulation Class	B	Design Code	N
KVA Code	L	Frame	48
Enclosure	Drip Proof	Overload Protector	Automatic
Ambient Temperature	40 °C	Drive End Bearing Size	6203
Opp Drive End Bearing Size	6203	UL	Recognized
CSA	Y	CE	Y
IP Code	22		

Technical Specifications

Electrical Type	Capacitor Start Capacitor Run	Starting Method	Across The Line
Poles	2	Rotation	Selective Counterclockwise
Mounting	Resilient Base	Motor Orientation	HORIZONTAL
Drive End Bearing	BALL	Opp Drive End Bearing	BALL
Frame Material	Rolled Steel	Shaft Type	T
Overall Length	11.39 in	Frame Length	7.00 in
Shaft Diameter	0.500 in	Shaft Extension	1.5 in
Assembly/Box Mounting	F1 ONLY		
Outline Drawing	A-SS404219-700	Connection Diagram	005053.40

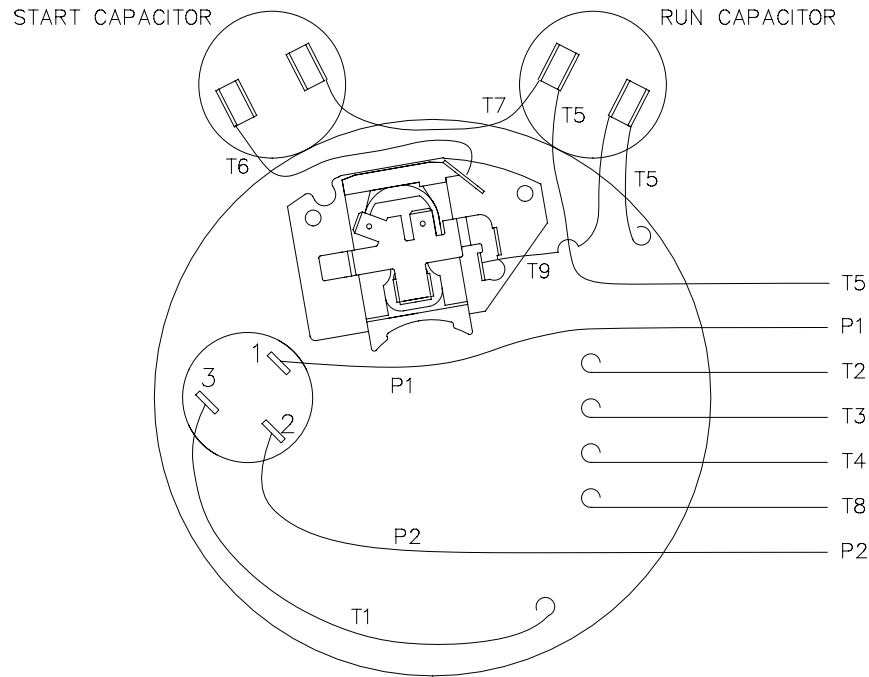
This is an uncontrolled document once printed or downloaded and is subject to change without notice. Date Created: 10/15/2018

SS404219

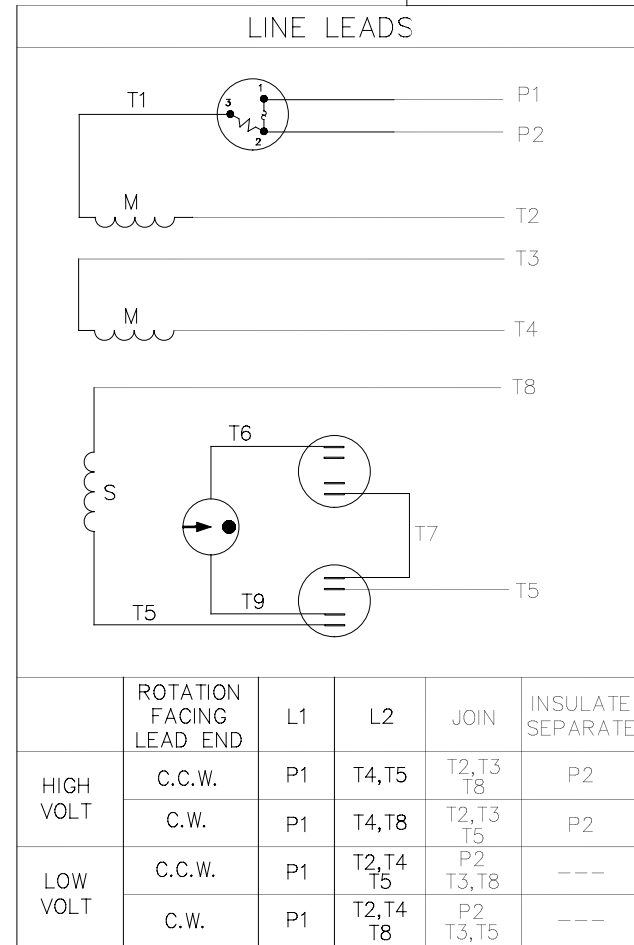


DASH NO.	"C"	"AD"
500	9.39	4.34
550	9.89	4.84
600	10.39	5.34
625	10.64	5.59
650	10.89	5.84
675	11.14	6.09
700	11.39	6.34
750	11.89	6.84

		TOLERANCES UNLESS SPECIFIED		REGAL™ Regal Beloit America, Inc.		DRAWN PVR 09/28/16
		DEC.	INCHES			CHK
		.X	±.1	TITLE OUTLINE		APPD
		.XX	±.03	S56 FRAME ROUND MOUNT – DRIP PROOF		SCALE NTS
B	ADDED DASH # 625	AS 12-28-16	PVR .XXX	±.005	MAT'L.	REF 031623
A	ADDED DASH # 700 & #750	AS 11-14-16	PVR .XXXX	±.0005	FINISH	FMF
NO.	REVISION	BY & DATE	CHK	ANG ±7'30"		PREV
THIS DRAWING IN DESIGN AND DETAIL IS OUR PROPERTY AND MUST NOT BE USED EXCEPT IN CONNECTION WITH OUR WORK ALL RIGHTS OF DESIGN AND INVENTION ARE RESERVED THIS IS AN ELECTRONICALLY GENERATED DOCUMENT – DO NOT SCALE THIS PRINT			RFP	CAD FILE SS404219	SIZE A	DRAWING NO. PAGE 1 OF 1 REV. B
			DIST WP			SS404219



VIEW FROM OUTSIDE OF MOTOR AT SWITCH END



				TOLERANCES UNLESS SPECIFIED		Regal Beloit America, Inc.	DRAWN PG 7/2/02			
				DEC.	INCHES		CHK			
				.X	±.1		APPD			
				.XX	±.01		SCALE 5=8			
				.XXX	±.005	TITLE EXTERNAL WIRING DIAGRAM TYPE "K" W/PROTECTOR		REF 005053.01		
A	CHANGED LOGO TO REGAL	PST	2/1/16	SKM	.XXXX ±.0005	MAT'L. DUAL VOLTAGE - DUAL ROTATION		FMF 102827.00		
NO.	REVISION	BY & DATE		CHK	ANG ±1/2°	FINISH		PREV		
THIS DRAWING IN DESIGN AND DETAIL IS OUR PROPERTY AND MUST NOT BE USED EXCEPT IN CONNECTION WITH OUR WORK ALL RIGHTS OF DESIGN AND INVENTION ARE RESERVED THIS IS AN ELECTRONICALLY GENERATED DOCUMENT - DO NOT SCALE THIS PRINT				RFP		CAD FILE	00505340	SIZE A	DRAWING NO. 005053-40	REV. A
				DIST						

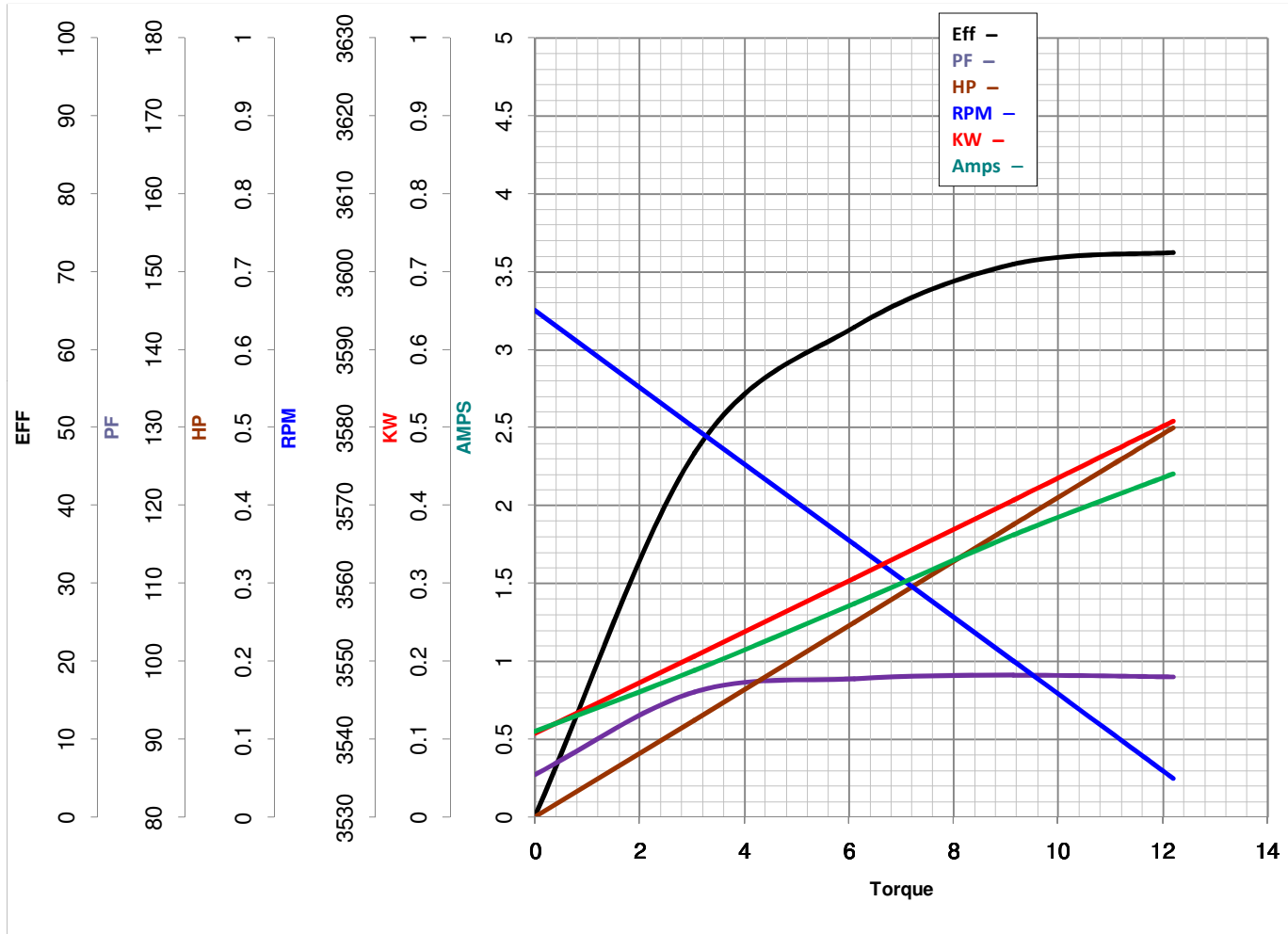


LEESON ELECTRIC CORPORATION
TYPICAL PERFORMANCE CURVE for AC MOTOR

Model No E101432.00

Catalog No E101432.00

Curve at 230 Volts HP 0.50 PHASE 1
60 HZ
0.5 HP VOLTS 115/230
HZ 60 RPM 3450



Torque in Oz.Ft

FL TORQUE 12.2 Oz.Ft
BD TORQUE 34.0 Oz.Ft
LR TORQUE 33.23 Oz.Ft

FL AMPS 4.4/2.2
PU TORQUE 32.8 Oz.Ft
LR AMPS 21.16

WINDING BE48277-3

Date 3/26/2018