

PRODUCT INFORMATION PACKET



Model No: A4K34DR1A

Catalog No: E101431.00

1/3HP..3450RPM.48.DP.115/230V.1PH.60HZ.CONT.AUTOMATIC.40C.1.0SF.RESILIENT BASE.

Open Drip Proof (ODP)



Regal and Leeson are trademarks of Regal Beloit Corporation or one of its affiliated companies.

©2018 Regal Beloit Corporation, All Rights Reserved. MC017097E





Nameplate Specifications

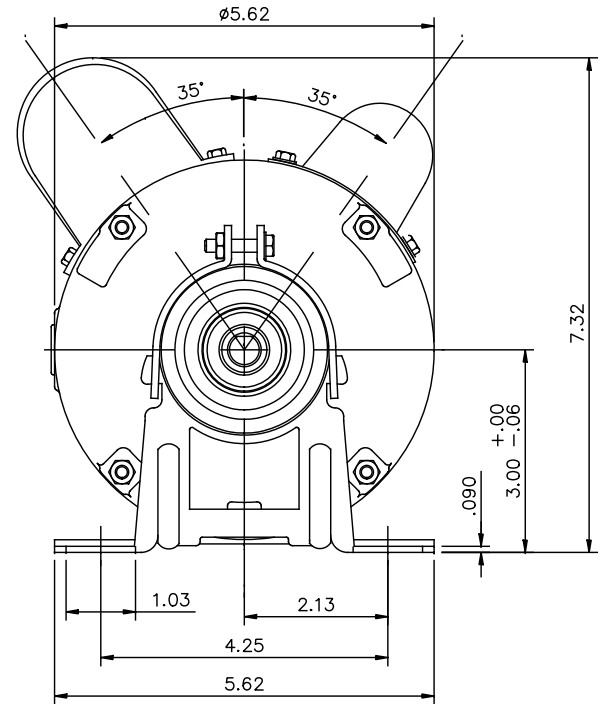
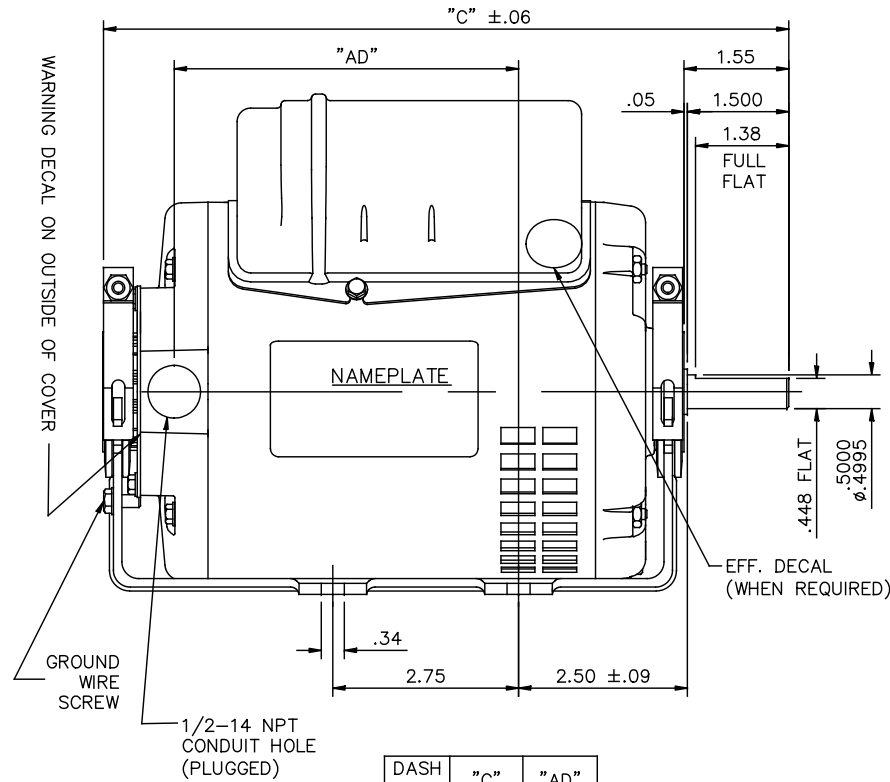
Output HP	0.33 Hp	Output KW	0.25 kW
Frequency	60 Hz	Voltage	115/230 V
Current	3.0/1.5 A	Speed	3450 rpm
Service Factor	1	Phase	1
Efficiency	70.5 %	Duty	Continuous
Insulation Class	B	Design Code	N
KVA Code	L	Frame	48
Enclosure	Drip Proof	Overload Protector	Automatic
Ambient Temperature	40 °C	Drive End Bearing Size	6203
Opp Drive End Bearing Size	6203	UL	Recognized
CSA	Y	CE	Y
IP Code	22		

Technical Specifications

Electrical Type	Capacitor Start Capacitor Run	Starting Method	Across The Line
Poles	2	Rotation	Selective Clockwise
Mounting	Resilient Base	Motor Orientation	HORIZONTAL
Drive End Bearing	BALL	Opp Drive End Bearing	BALL
Frame Material	Rolled Steel	Shaft Type	T
Overall Length	11.14 in	Frame Length	6.75 in
Shaft Diameter	0.500 in	Shaft Extension	1.5 in
Assembly/Box Mounting	F1 ONLY		
Outline Drawing	A-SS404219-675	Connection Diagram	A-EE9002CN

This is an uncontrolled document once printed or downloaded and is subject to change without notice. Date Created: 10/15/2018

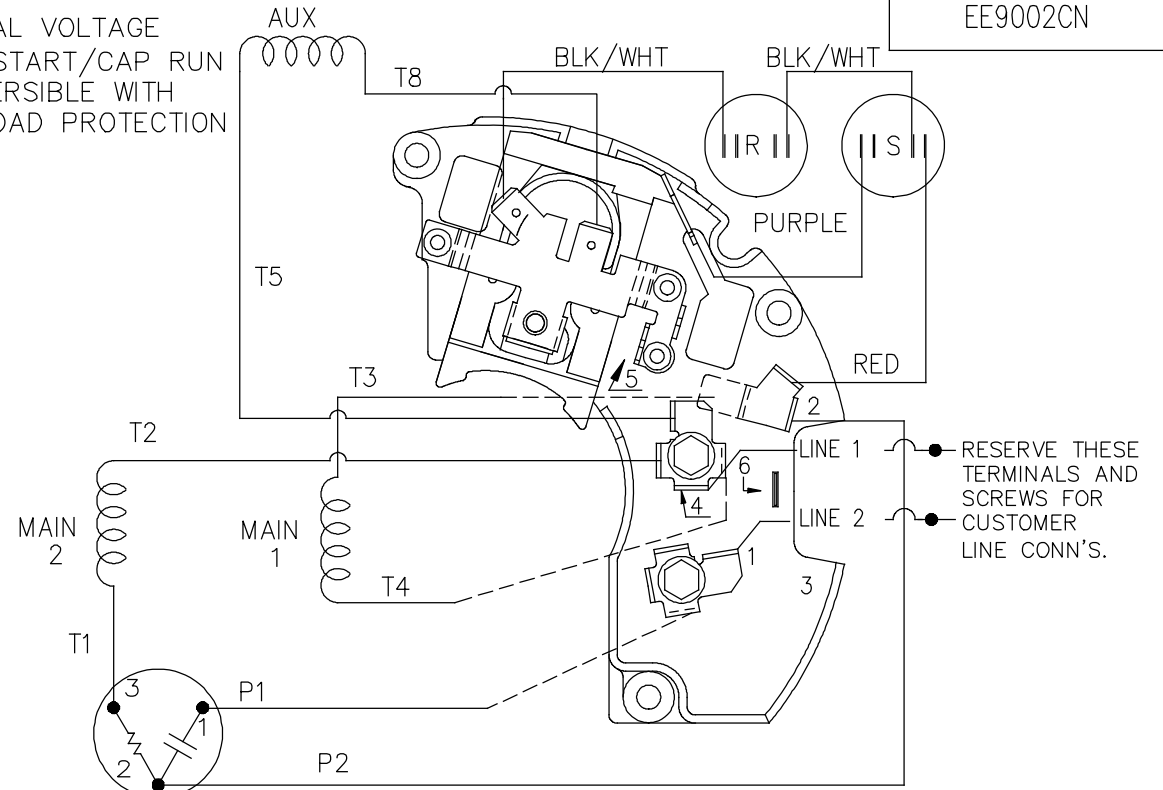
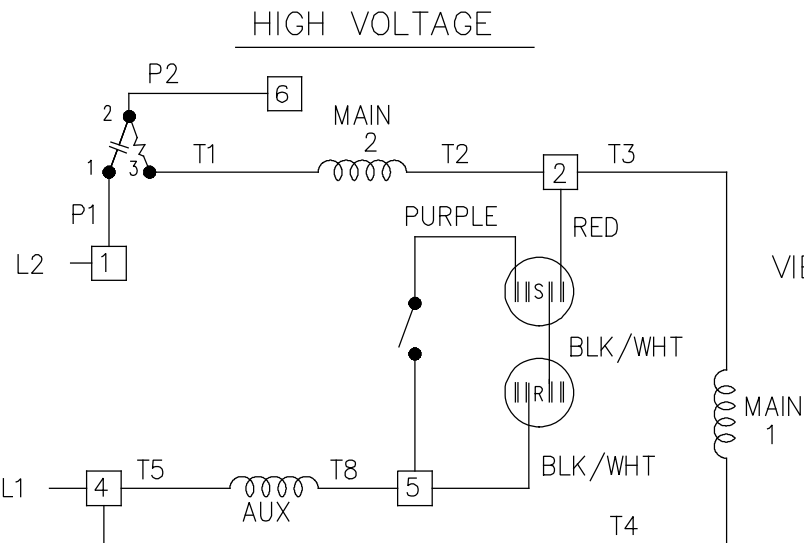
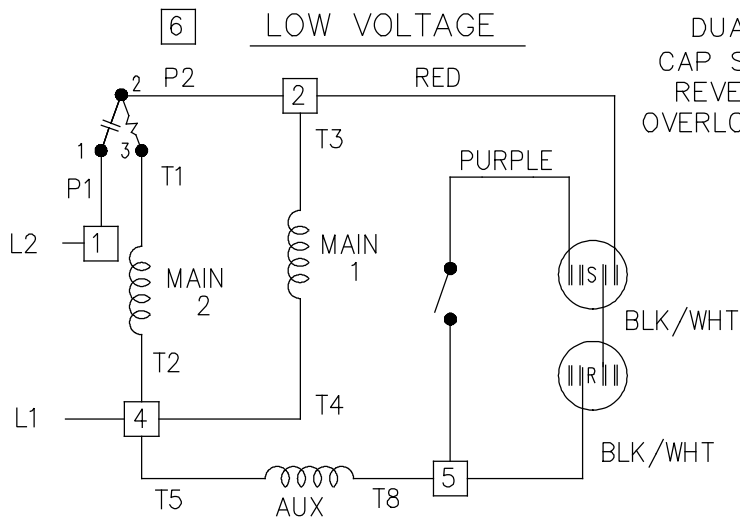
SS404219



DASH NO.	"C"	"AD"
500	9.39	4.34
550	9.89	4.84
600	10.39	5.34
625	10.64	5.59
650	10.89	5.84
675	11.14	6.09
700	11.39	6.34
750	11.89	6.84

		TOLERANCES UNLESS SPECIFIED		REGAL™ Regal Beloit America, Inc.		DRAWN PVR 09/28/16
		DEC.	INCHES			CHK
		.X	±.1	TITLE OUTLINE		APPD
		.XX	±.03	S56 FRAME ROUND MOUNT – DRIP PROOF		SCALE NTS
B	ADDED DASH # 625	AS 12-28-16	PVR .XXX	±.005	MAT'L.	REF 031623
A	ADDED DASH # 700 & #750	AS 11-14-16	PVR .XXXX	±.0005	FINISH	FMF
NO.	REVISION	BY & DATE	CHK	ANG ±7'30"		PREV
THIS DRAWING IN DESIGN AND DETAIL IS OUR PROPERTY AND MUST NOT BE USED EXCEPT IN CONNECTION WITH OUR WORK ALL RIGHTS OF DESIGN AND INVENTION ARE RESERVED THIS IS AN ELECTRONICALLY GENERATED DOCUMENT – DO NOT SCALE THIS PRINT			RFP	CAD FILE SS404219	SIZE A	DRAWING NO. PAGE 1 OF 1 REV. B
			DIST WP			SS404219

EE9002CN



VIEWING TERM END

LOW VOLTAGE CW LEAD END ROTATION SHOWN.

FOR HIGH VOLTAGE
CONNECT P2 TERM 2 TO TERM 6.
CONNECT T2 TERM 4 TO TERM 2.

TO REVERSE ROTATION EITHER
VOLTAGE INTERCHANGE RED
LEAD WITH T5 LEAD.

DASH LINES INDICATE LEADS CONNECTED
TO MOTOR SIDE OF SWITCH.

		TOLERANCES UNLESS SPECIFIED		REGAL™ Regal Beloit America, Inc.		DRAWN MVG 03/24/2017			
		DEC.	INCHES			CHK PVR 03/24/2017			
		.X	± -			APPD PVR 03/24/2017			
		.XX	± -	TITLE CONNECTION DIAGRAM 48 FR. DUAL VOLTAGE REVERSIBLE		SCALE NTS			
B	CHANGED IN NOTES FROM LEAD T8 TO RED	MVG 09/14/17	GS .XXX ± -			REF EE9002CB			
A	NEW CONNECTION DWG	MVG 03/24/2017	PVR .XXXX ± -	MAT'L.		FMF			
NO.	REVISION	BY & DATE	CHK ANG ± -	FINISH		PREV			
THIS DRAWING IN DESIGN AND DETAIL IS OUR PROPERTY AND MUST NOT BE USED EXCEPT IN CONNECTION WITH OUR WORK ALL RIGHTS OF DESIGN AND INVENTION ARE RESERVED THIS IS AN ELECTRONICALLY GENERATED DOCUMENT - DO NOT SCALE THIS PRINT			RFP	CAD FILE EE9002CN		SIZE A	DRAWING NO. EE9002CN	PAGE 1 OF 1	REV. B
			DIST WP						



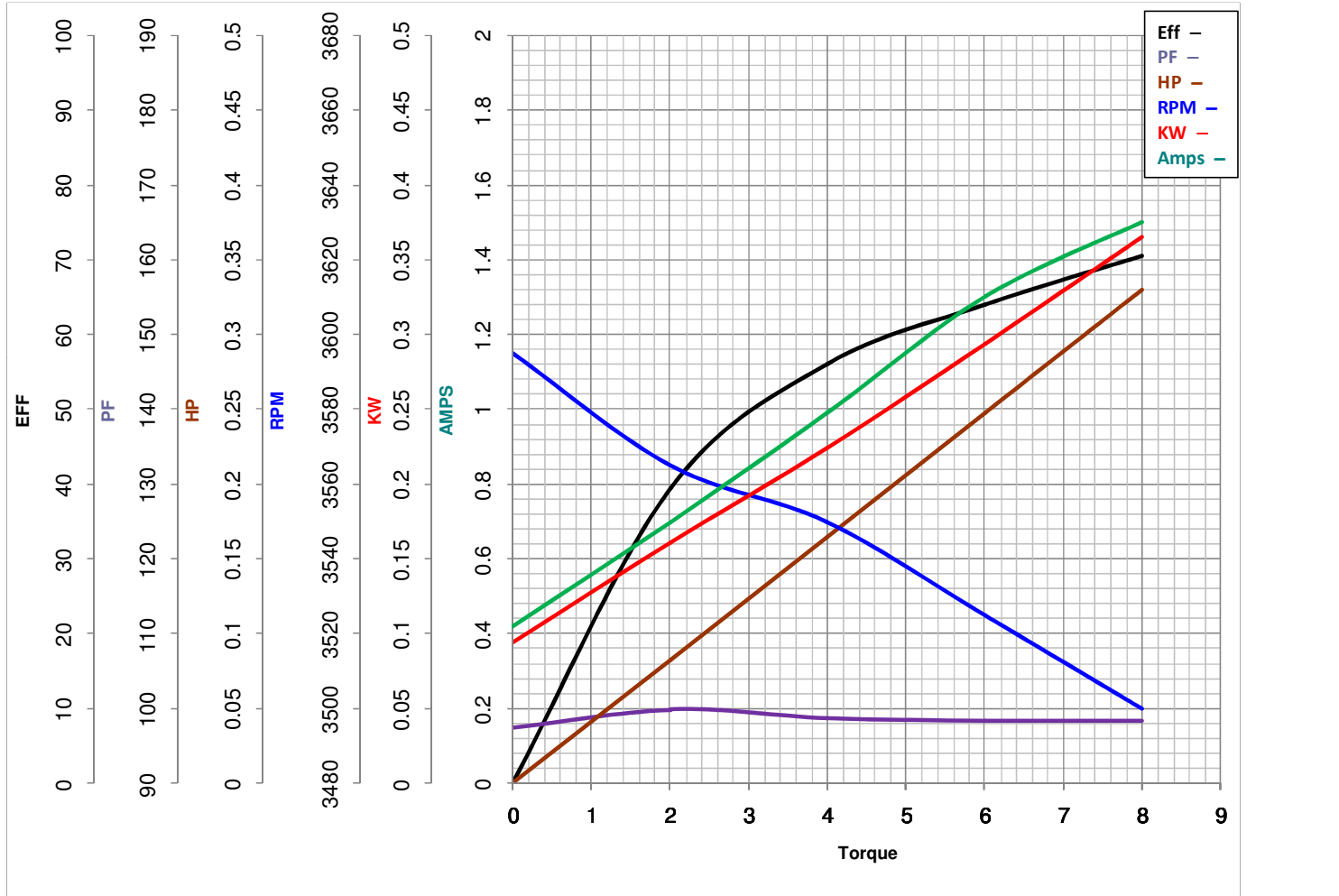
LEESON ELECTRIC CORPORATION
 TYPICAL PERFORMANCE CURVE for AC MOTOR

Model No E101431.00

Catalog No E101431.00

Curve at 230 Volts HP 0.33 PHASE 1
60 HZ
0.33 HP VOLTS 115/230

HZ 60 RPM 3450



FL TORQUE	<u>8</u>	Oz.Ft	FL AMPS	<u>3/1.5</u>	
BD TORQUE	<u>19.0</u>	Oz.Ft	PU TORQUE	<u>23.2</u>	Oz.Ft
LR TORQUE	<u>23.2</u>	Oz.Ft	LR AMPS	<u>13</u>	
WINDING	BE48280-3		Date	4/19/2018	