

PRODUCT INFORMATION PACKET



Model No: M4K17DB13A

Catalog No: E101423.00

1/4HP..1725RPM.48.DP.115/208-230V.1PH.60HZ.CONT.MANUAL.40C.1.35SF.RIGID.GENERAL
PURPOSE.M4C17DB33H

Open Drip Proof (ODP)



Regal and Leeson are trademarks of Regal Beloit Corporation or one of its affiliated companies.

©2018 Regal Beloit Corporation, All Rights Reserved. MC017097E





Nameplate Specifications

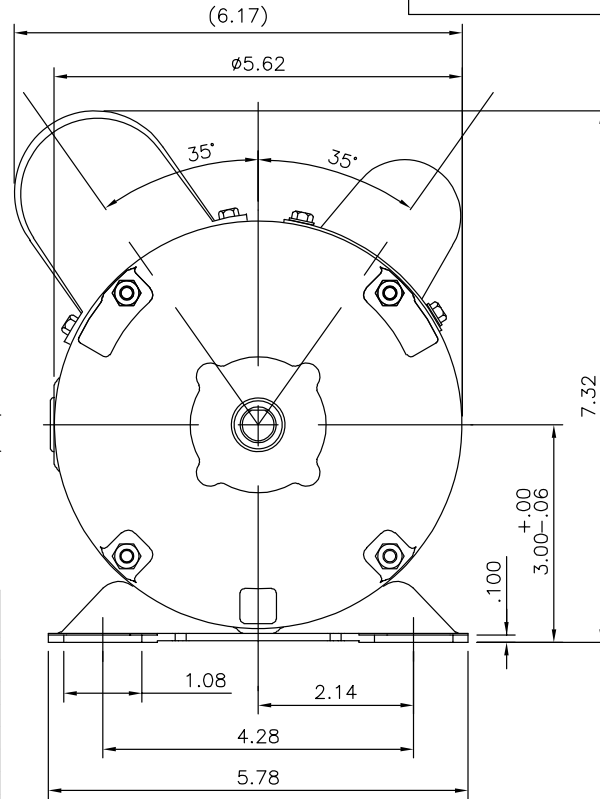
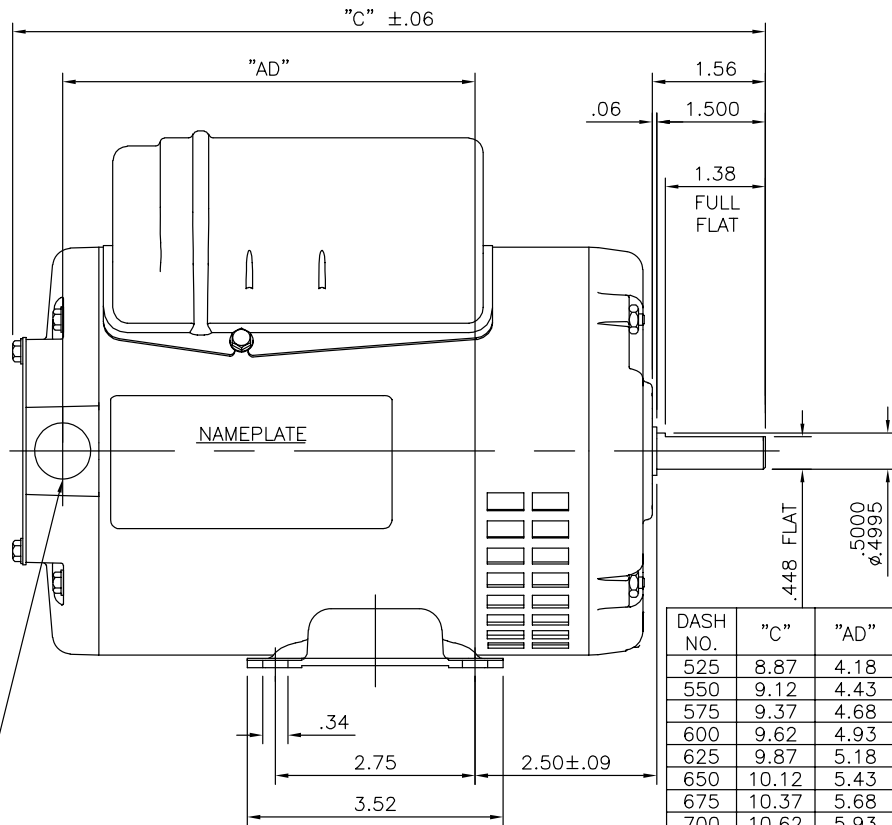
Output HP	0.25 Hp	Output KW	0.19 kW
Frequency	60 Hz	Voltage	115/208-230 V
Current	2.4/1.3-1.2 A	Speed	1725 rpm
Service Factor	1.35	Phase	1
Efficiency	68.5 %	Duty	Continuous
Insulation Class	F	Design Code	NO DESIGN CODE
KVA Code	M	Frame	48
Enclosure	Drip Proof	Overload Protector	Manual
Ambient Temperature	40 °C	Drive End Bearing Size	6203
Opp Drive End Bearing Size	6203	UL	Recognized
CSA	Y	CE	Y
IP Code	22		

Technical Specifications

Electrical Type	Capacitor Start Capacitor Run	Starting Method	Across The Line
Poles	4	Rotation	Selective Counterclockwise
Mounting	Rigid base	Motor Orientation	HORIZONTAL
Drive End Bearing	BALL	Opp Drive End Bearing	BALL
Frame Material	Rolled Steel	Shaft Type	NEMA 48
Overall Length	10.37 in	Frame Length	6.75 in
Shaft Diameter	0.500 in	Shaft Extension	1.5 in
Assembly/Box Mounting	F1 ONLY		
Outline Drawing	A-SS404123-675	Connection Diagram	005053.40


This is an uncontrolled document once printed or downloaded and is subject to change without notice. Date Created: 10/15/2018

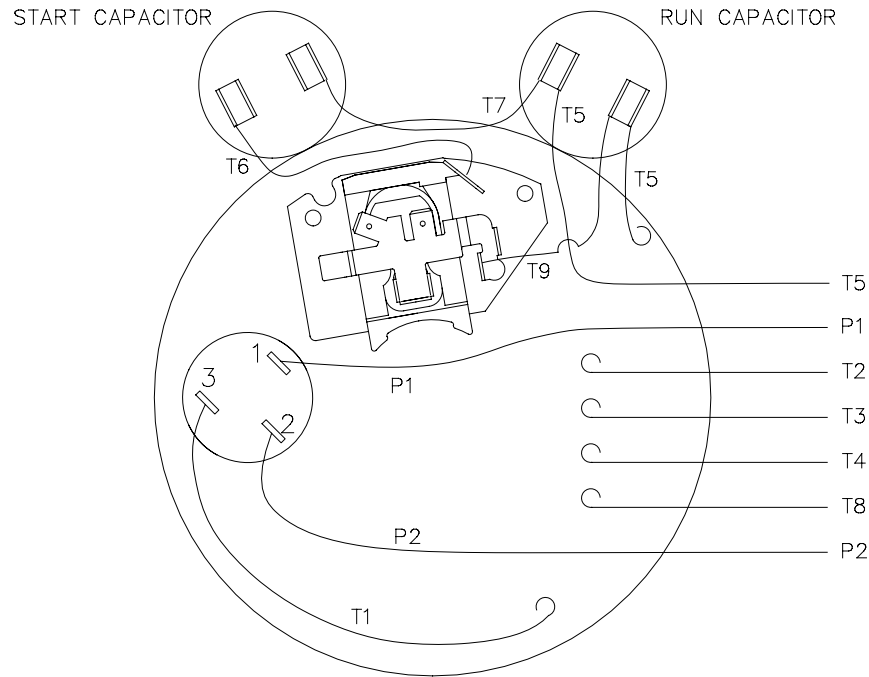
SS404123



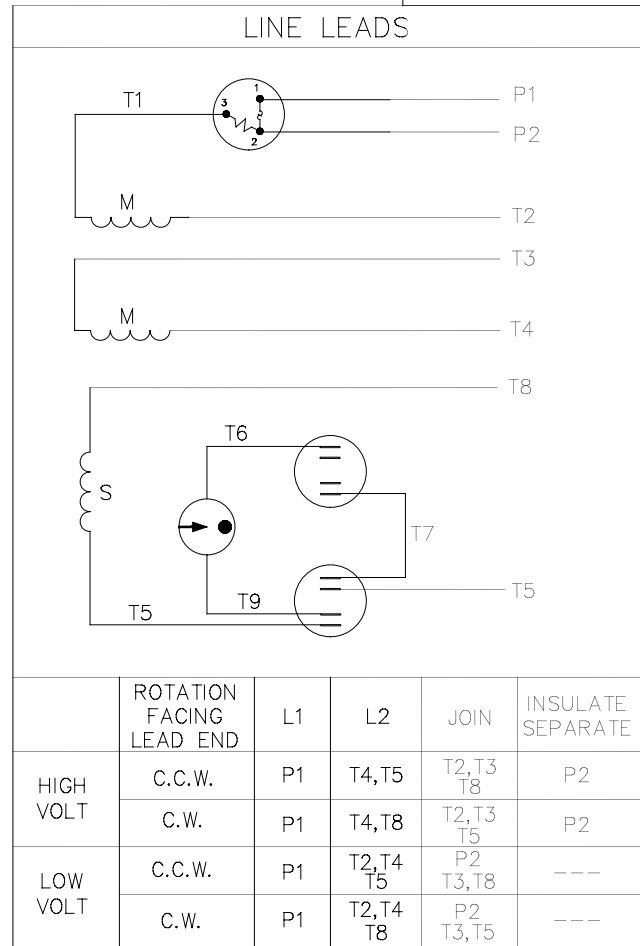
DASH NO.	"C"	"AD"
525	8.87	4.18
550	9.12	4.43
575	9.37	4.68
600	9.62	4.93
625	9.87	5.18
650	10.12	5.43
675	10.37	5.68
700	10.62	5.93
725	10.87	6.18
750	11.12	6.43
775	11.37	6.68
800	11.62	6.93

1/2-14 NPT
CONDUIT HOLE
(PLUGGED)

		TOLERANCES UNLESS SPECIFIED		 Regal Beloit America, Inc.	DRAWN JAH 12/04/2014
		DEC.	INCHES		CHK SM 12/04/2014
		.X	±0.1	TITLE	APPD
		.XX	±0.02	OUTLINE	SCALE NTS
B	ADDED DASH # 750,775,800 IN TABLE	PVR 12/17/14	SM .XXX ±0.005	S56 FRAME RIGID MOUNT - DRIP PROOF	REF SS404118
A	CREATED NEW DRAWING	JAH12/04/2014	SM .XXXX ±0.0005	MAT'L.	FMF
NO.	REVISION	BY & DATE	CHK ANG ±1.0	FINISH	PREV
THIS DRAWING IN DESIGN AND DETAIL IS OUR PROPERTY AND MUST NOT BE USED EXCEPT IN CONNECTION WITH OUR WORK ALL RIGHTS OF DESIGN AND INVENTION ARE RESERVED THIS IS AN ELECTRONICALLY GENERATED DOCUMENT - DO NOT SCALE THIS PRINT				RFP	CAD FILE
				SS404123	SIZE
				DIST	DRAWING NO.
				A	SS404123
					REV.
					B



VIEW FROM OUTSIDE OF MOTOR AT SWITCH END



				TOLERANCES UNLESS SPECIFIED		REGAL ™ Regal Beloit America, Inc.	DRAWN PG 7/2/02		
				DEC.	INCHES		CHK		
				.X	±.1		APPD		
				.XX	±.01		SCALE 5=8		
				.XXX	±.005	TITLE EXTERNAL WIRING DIAGRAM TYPE "K" W/PROTECTOR			
A CHANGED LOGO TO REGAL		PST	2/1/16	SKM	.XXXX	±.0005	REF 005053.01		
NO.	REVISION	BY & DATE		CHK	ANG	±1/2°	FMF 102827.00		
THIS DRAWING IN DESIGN AND DETAIL IS OUR PROPERTY AND MUST NOT BE USED EXCEPT IN CONNECTION WITH OUR WORK ALL RIGHTS OF DESIGN AND INVENTION ARE RESERVED THIS IS AN ELECTRONICALLY GENERATED DOCUMENT - DO NOT SCALE THIS PRINT				RFP	CAD FILE 00505340		SIZE A	DRAWING NO. 005053-40	REV. A
				DIST					

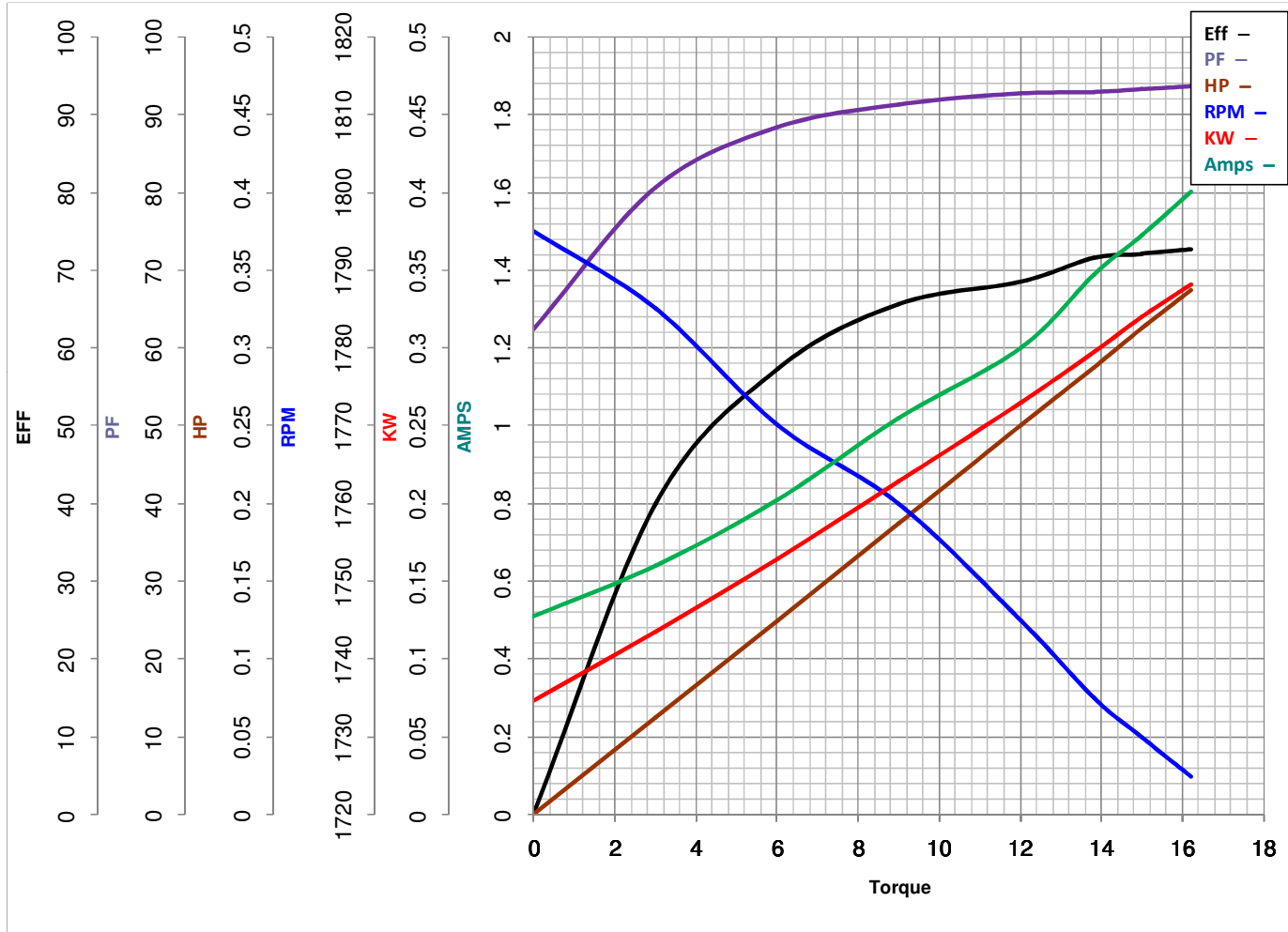


LEESON ELECTRIC CORPORATION
 TYPICAL PERFORMANCE CURVE for AC MOTOR

Model No E101423.00

Catalog No E101423.00

Curve at 230 Volts HP 0.25 PHASE 1
60 HZ
0.25 HP VOLTS 115/208-230
 HZ 60 RPM 1725



Torque in Oz.Ft

FL TORQUE 12 Oz.Ft
 BD TORQUE 31.0 Oz.Ft
 LR TORQUE 40.7 Oz.Ft

FL AMPS 2.4/1.3-1.2
 PU TORQUE 40.7 Oz.Ft
 LR AMPS 10.7

WINDING BE484113-3

Date 4/19/2018