

# PRODUCT INFORMATION PACKET



Model No: A4K17DR20A

Catalog No: E101015.00

.33HP..1725RPM.48.DP.115/208-230V.1PH.60HZ.CONT.AUTOMATIC.40C.1SF.RESILIENT BASE.

Open Drip Proof (ODP)



Regal and Leeson are trademarks of Regal Beloit Corporation or one of its affiliated companies.

©2018 Regal Beloit Corporation, All Rights Reserved. MC017097E





### Nameplate Specifications

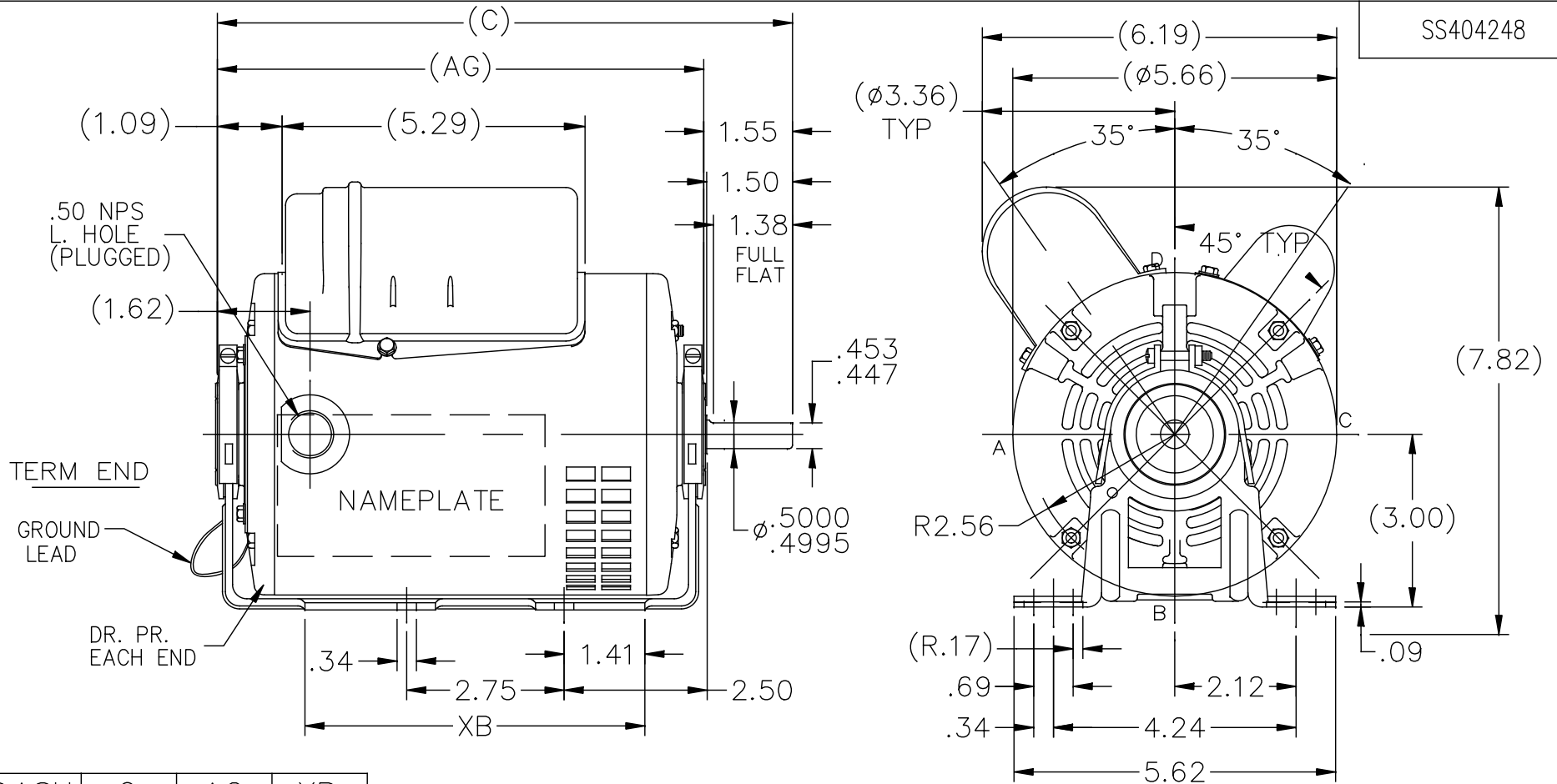
Output HP	<b>0.33 Hp</b>	Output KW	<b>0.25 kW</b>
Frequency	<b>60 Hz</b>	Voltage	<b>115/230 V</b>
Current	<b>3.8/1.9 A</b>	Speed	<b>1725 rpm</b>
Service Factor	<b>1</b>	Phase	<b>1</b>
Efficiency	<b>72.4 %</b>	Duty	<b>Continuous</b>
Insulation Class	<b>B</b>	Design Code	<b>N</b>
KVA Code	<b>L</b>	Frame	<b>48</b>
Enclosure	<b>Drip Proof</b>	Overload Protector	<b>Automatic</b>
Ambient Temperature	<b>40 °C</b>	Drive End Bearing Size	<b>6203</b>
Opp Drive End Bearing Size	<b>6203</b>	UL	<b>Recognized</b>
CSA	<b>Y</b>	CE	<b>Y</b>
IP Code	<b>22</b>		

### Technical Specifications

Electrical Type	<b>Capacitor Start Capacitor Run</b>	Starting Method	<b>Across The Line</b>
Poles	<b>4</b>	Rotation	<b>Selective Clockwise</b>
Mounting	<b>Resilient Base</b>	Motor Orientation	<b>HORIZONTAL</b>
Drive End Bearing	<b>BALL</b>	Opp Drive End Bearing	<b>BALL</b>
Frame Material	<b>Rolled Steel</b>	Shaft Type	<b>NEMA 48</b>
Overall Length	<b>10.34 in</b>	Frame Length	<b>6.75 in</b>
Shaft Diameter	<b>0.500 in</b>	Shaft Extension	<b>1.5 in</b>
Assembly/Box Mounting	<b>F1 ONLY</b>		
Outline Drawing	<b>A-SS404248-675</b>	Connection Diagram	<b>A-EE9002CN</b>

This is an uncontrolled document once printed or downloaded and is subject to change without notice. Date Created: 10/15/2018

SS404248

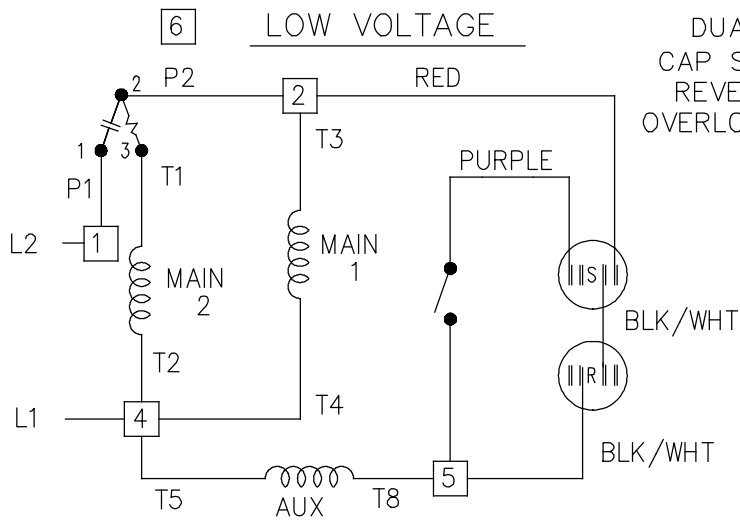


DASH	C	AG	XB
650	10.09	8.50	6.69
675	10.34	8.75	6.94
700	10.59	9.00	7.19
750	11.09	9.50	7.69

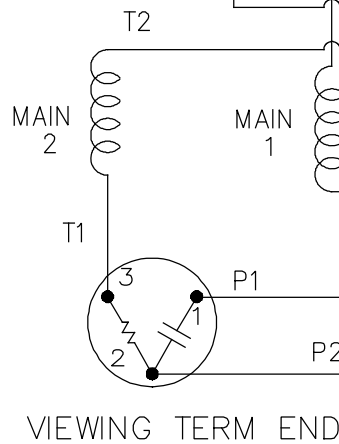
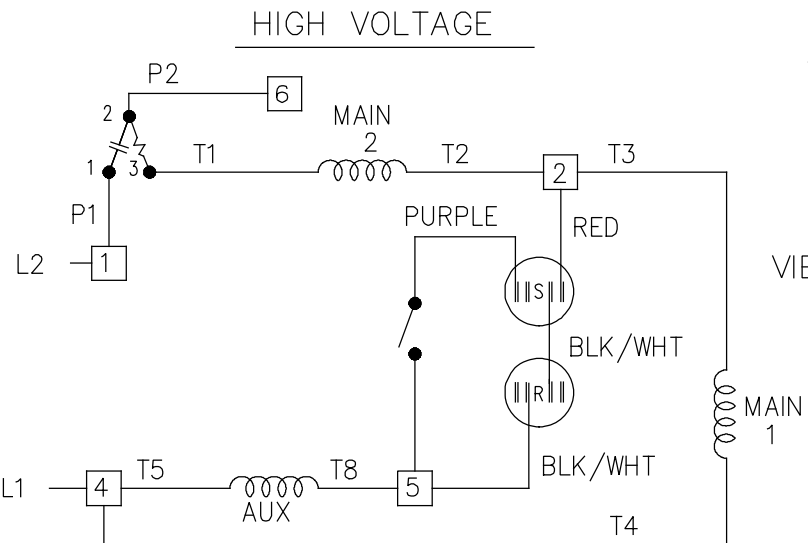
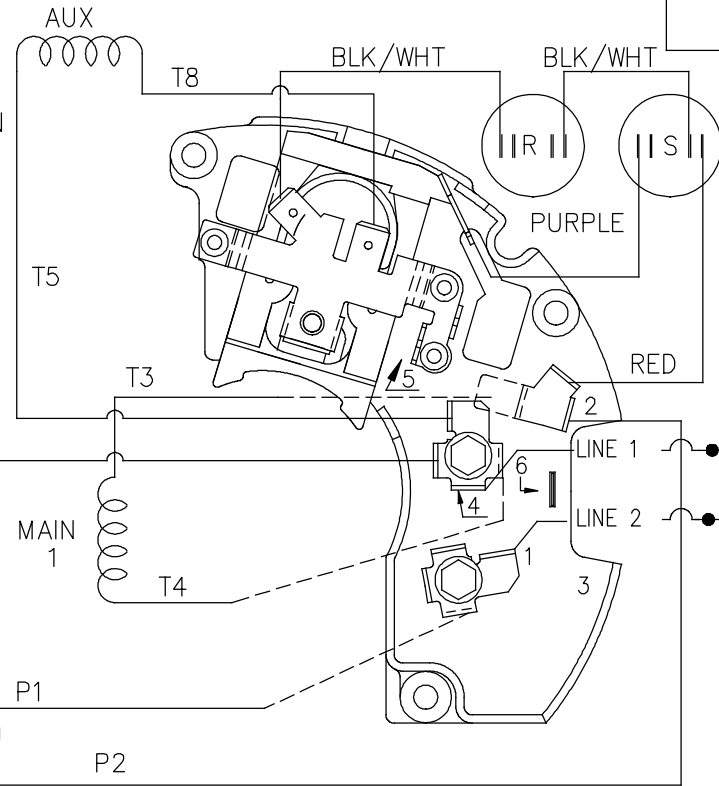
SHAFT ENDPLAY: .022 MAX.

				TOLERANCES UNLESS SPECIFIED		DRAWN MVG 03/14/2017	
				DEC.	INCHES	CHK PVR 03/14/2017	
				.X	±.1	APPD PVR 03/14/2017	
				.XX	±.03	SCALE 3=8	
				.XXX	±.005	REF SS404133	
A	NEW DRAWING	MVG 03/14/2017	PVR	.XXXX	±.0005	TITLE OUTLINE	FMF
NO.	REVISION	BY & DATE	CHK	ANG	±7'30"	48 FR - DP	PREV
THIS DRAWING IN DESIGN AND DETAIL IS OUR PROPERTY AND MUST NOT BE USED EXCEPT IN CONNECTION WITH OUR WORK ALL RIGHTS OF DESIGN AND INVENTION ARE RESERVED THIS IS AN ELECTRONICALLY GENERATED DOCUMENT - DO NOT SCALE THIS PRINT				RFP	CAD FILE SS404248	SIZE A	DRAWING NO. PAGE 1 OF 1
				DIST WP			REV. A

EE9002CN



DUAL VOLTAGE  
CAP START/CAP RUN  
REVERSIBLE WITH  
OVERLOAD PROTECTION



VIEWING TERM END

LOW VOLTAGE CW LEAD END ROTATION SHOWN.

FOR HIGH VOLTAGE  
CONNECT P2 TERM 2 TO TERM 6.  
CONNECT T2 TERM 4 TO TERM 2.

TO REVERSE ROTATION EITHER  
VOLTAGE INTERCHANGE RED  
LEAD WITH T5 LEAD.

DASH LINES INDICATE LEADS CONNECTED  
TO MOTOR SIDE OF SWITCH.

RESERVE THESE  
TERMINALS AND  
SCREWS FOR  
CUSTOMER  
LINE CONN'S.

				TOLERANCES UNLESS SPECIFIED		REGAL™ Regal Beloit America, Inc.	DRAWN MVG 03/24/2017			
				DEC.	INCHES		CHK	PVR 03/24/2017		
				.X	± -	TITLE CONNECTION DIAGRAM 48 FR. DUAL VOLTAGE REVERSIBLE	APPD	PVR 03/24/2017		
				.XX	± -		SCALE	NTS		
B	CHANGED IN NOTES FROM LEAD T8 TO RED	MVG 09/14/17	GS	.XXX	± -		REF	EE9002CB		
A	NEW CONNECTION DWG	MVG 03/24/2017	PVR	.XXXX	± -		MAT'L.	FMF		
NO.	REVISION	BY & DATE	CHK	ANG	± -	FINISH	PREV			
THIS DRAWING IN DESIGN AND DETAIL IS OUR PROPERTY AND MUST NOT BE USED EXCEPT IN CONNECTION WITH OUR WORK ALL RIGHTS OF DESIGN AND INVENTION ARE RESERVED THIS IS AN ELECTRONICALLY GENERATED DOCUMENT - DO NOT SCALE THIS PRINT				RFP		CAD FILE	EE9002CN	SIZE	DRAWING NO. PAGE 1 OF 1 REV.	
				DIST	WP			A	EE9002CN	B



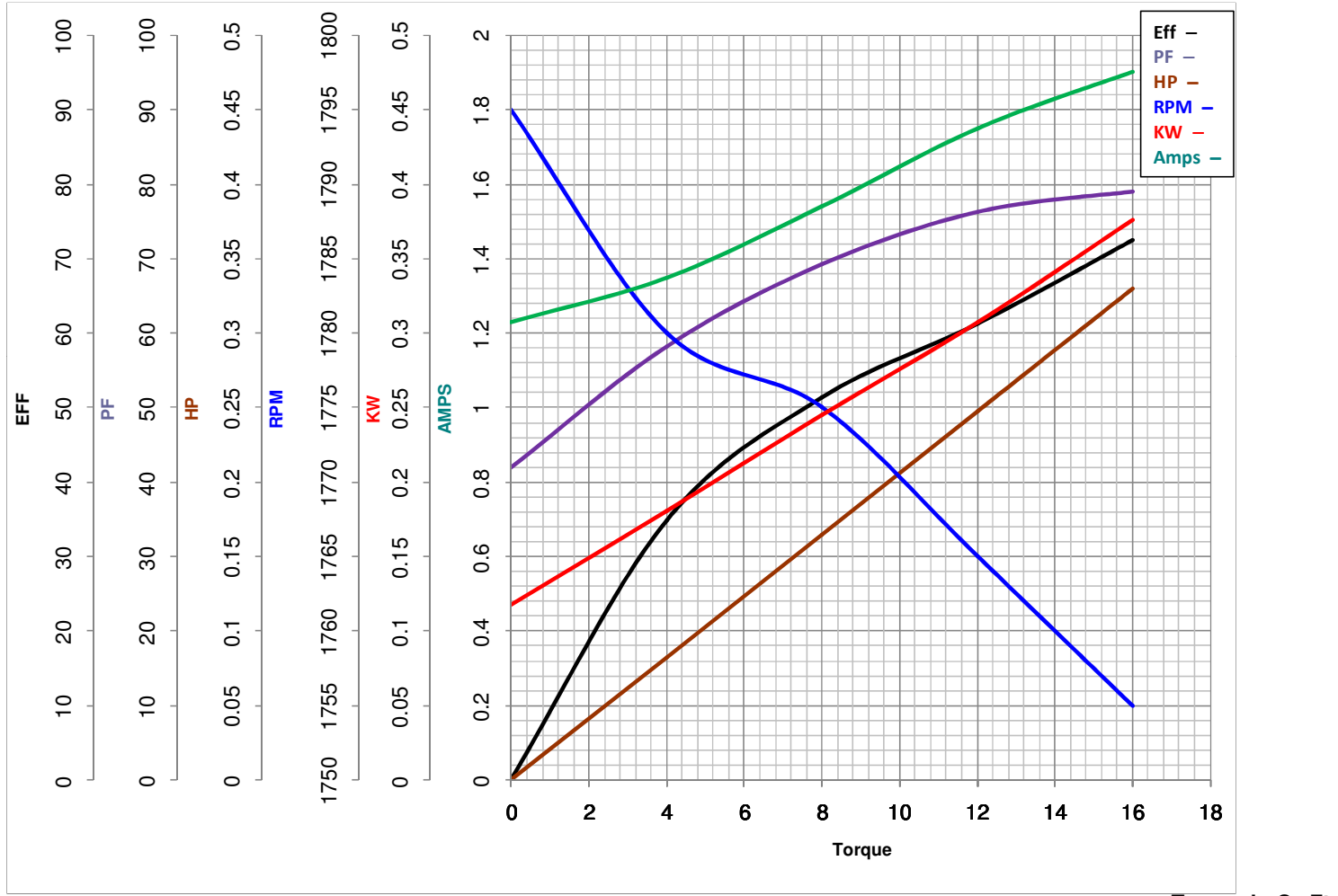
**LEESON ELECTRIC CORPORATION**  
TYPICAL PERFORMANCE CURVE for AC MOTOR

Model No E101015.00

Catalog No E101015.00

Curve at 230 Volts      HP 0.34      PHASE 1  
60 HZ  
0.33 HP      VOLTS 115/230

HZ 60      RPM 1725



FL TORQUE	<u>16</u>	Oz.Ft	FL AMPS	<u>3.8/1.9</u>	
BD TORQUE	<u>43.5</u>	Oz.Ft	PU TORQUE	<u>58.0</u>	Oz.Ft
LR TORQUE	<u>58</u>	Oz.Ft	LR AMPS	<u>14.2</u>	
WINDING	BE484111-3		Date	<u>3/27/2018</u>	