

PRODUCT INFORMATION PACKET



Model No: E100603.00
Catalog No: E100603.00
0.75 HP General Purpose Motor, 1 phase, 3600 RPM, 115/230 V, 56 Frame, ODP
Single Phase ODP Motors



Regal and Leeson are trademarks of Regal Beloit Corporation or one of its affiliated companies.
©2019 Regal Beloit Corporation, All Rights Reserved. MC017097E

The Regal logo is the word "REGAL" in a bold, sans-serif font, set against a dark grey, trapezoidal background. The background has a subtle halftone dot pattern. The logo is positioned on a dark blue vertical band that runs down the right side of the page.



Nameplate Specifications

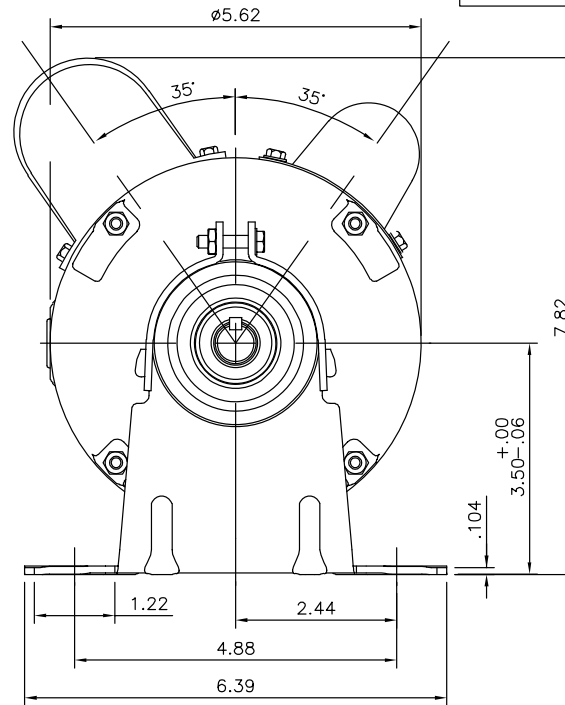
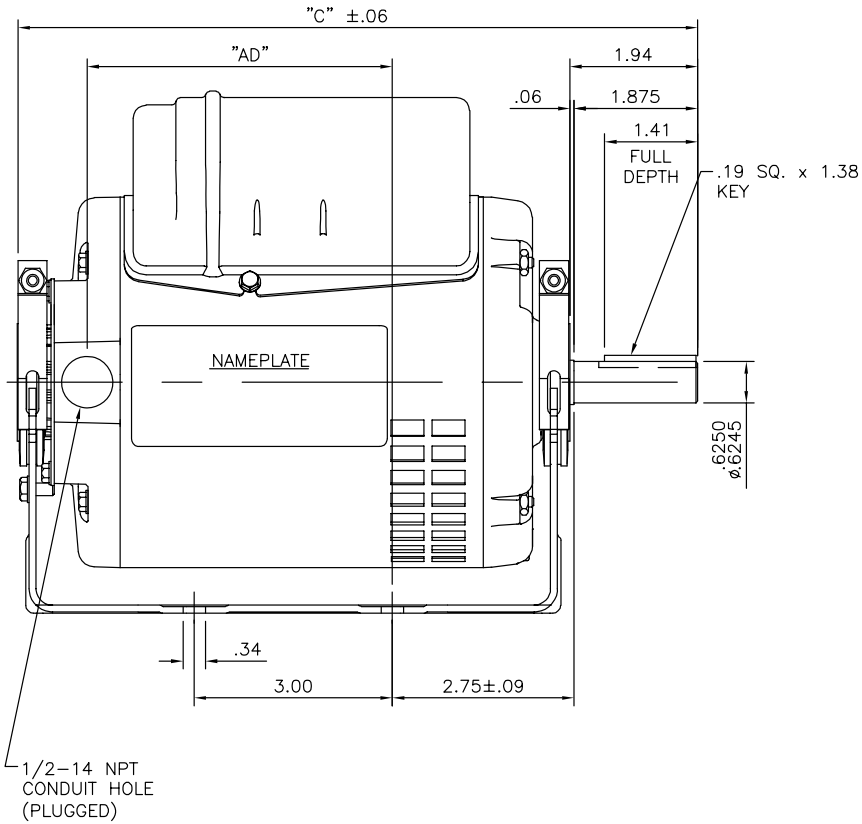
Output HP	0.75 Hp	Output KW	0.56 kW
Frequency	60 Hz	Voltage	115/230 V
Current	7.2/3.6 A	Speed	3515 rpm
Service Factor	1.25	Phase	1
Efficiency	76.2 %	Power Factor	89.2
Duty	Continuous	Insulation Class	B
Design Code	N	KVA Code	K
Frame	S56	Enclosure	Drip Proof
Thermal Protection	Automatic	Ambient Temperature	40 °C
Drive End Bearing Size	6203	Opp Drive End Bearing Size	6203
UL	Recognized	CSA	Y
CE	Y	IP Code	12

Technical Specifications

Electrical Type	Capacitor Start Capacitor Run	Starting Method	Across The Line
Poles	2	Rotation	Selective Counterclockwise
Resistance Main	0 Ohms	Mounting	Resilient Base
Motor Orientation	Horizontal	Drive End Bearing	Ball
Opp Drive End Bearing	Ball	Frame Material	Rolled Steel
Shaft Type	NEMA 56	Overall Length	12.31 in
Frame Length	7.50 in	Shaft Diameter	0.625 in
Shaft Extension	1.875 in	Assembly/Box Mounting	F1 Only

This is an uncontrolled document once printed or downloaded and is subject to change without notice. Date Created:01/11/2019

SS404125



DASH NO.	"C"	"AD"
700	11.81	6.12
750	12.31	6.62

NO.	REVISION	BY & DATE	CHK	TOLERANCES UNLESS SPECIFIED		FINISH	DRAWN PVR 12/19/14
				DEC.	INCHES		
				.X	±.1		CHK VS 12/19/14
				.XX	±.03	TITLE OUTLINE	APPD
				.XXX	±.005	S56 FRAME ROUND MOUNT - DRIP PROOF	SCALE NTS
				.XXXX	±.0005	MAT'L.	REF 031623
				ANG	±7'30"		FMF
							PREV
THIS DRAWING IN DESIGN AND DETAIL IS OUR PROPERTY AND MUST NOT BE USED EXCEPT IN CONNECTION WITH OUR WORK ALL RIGHTS OF DESIGN AND INVENTION ARE RESERVED THIS IS AN ELECTRONICALLY GENERATED DOCUMENT - DO NOT SCALE THIS PRINT			RFP	CAD FILE SS404125		SIZE A	DRAWING NO. PAGE 1 OF 1 REV. SS404125
			DIST WP				



Regal Beloit America, Inc.