

# PRODUCT INFORMATION PACKET



Model No: C4T17DB17A

Catalog No: E100446.00

..1/3HP..1800RPM.48FR.ODP.230/460V.3PH.60HZ.CONT.40C.1.35 S.F..RIGID.....

Open Drip Proof (ODP)



Regal and Leeson are trademarks of Regal Beloit Corporation or one of its affiliated companies.

©2018 Regal Beloit Corporation, All Rights Reserved. MC017097E





### Nameplate Specifications

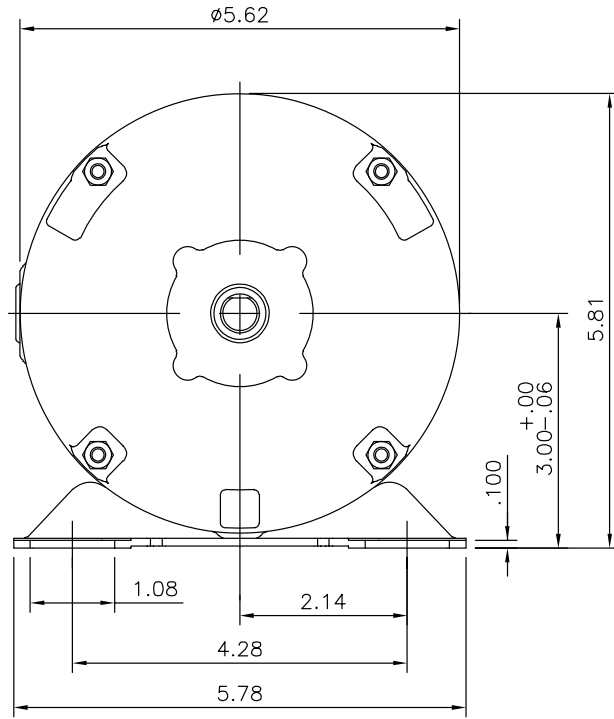
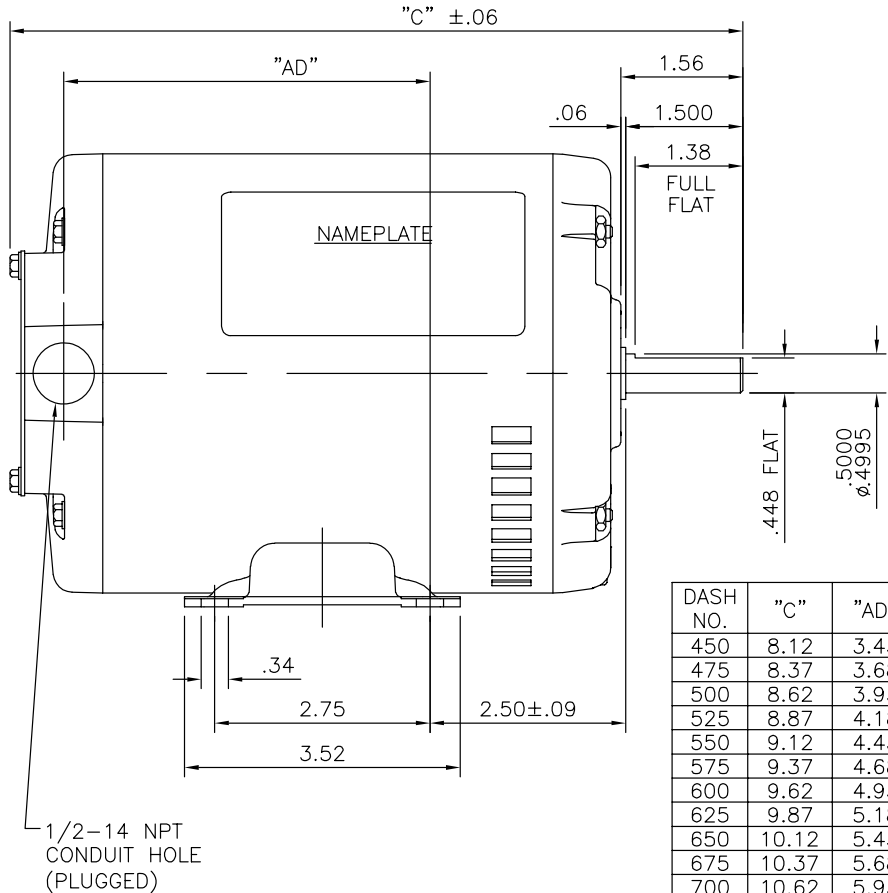
Output HP	<b>0.33 Hp</b>	Output KW	<b>0.25 kW</b>
Frequency	<b>60 Hz</b>	Voltage	<b>230/460 V</b>
Current	<b>1.2/0.60 A</b>	Speed	<b>1725 rpm</b>
Service Factor	<b>1.35</b>	Phase	<b>3</b>
Efficiency	<b>73.4 %</b>	Duty	<b>Continuous</b>
Insulation Class	<b>B</b>	Design Code	<b>B</b>
KVA Code	<b>M</b>	Frame	<b>48</b>
Enclosure	<b>Drip Proof</b>	Overload Protector	<b>No</b>
Ambient Temperature	<b>40 °C</b>	Drive End Bearing Size	<b>6203</b>
Opp Drive End Bearing Size	<b>6203</b>	UL	<b>Recognized</b>
CSA	<b>Y</b>	CE	<b>Y</b>
IP Code	<b>22</b>		

### Technical Specifications


Electrical Type	<b>Squirrel Cage Inverter Rated</b>	Starting Method	<b>Line Or Inverter</b>
Poles	<b>4</b>	Rotation	<b>Reversible</b>
Mounting	<b>Rigid base</b>	Motor Orientation	<b>HORIZONTAL</b>
Drive End Bearing	<b>BALL</b>	Opp Drive End Bearing	<b>BALL</b>
Frame Material	<b>Rolled Steel</b>	Shaft Type	<b>NEMA 48</b>
Overall Length	<b>11.12 in</b>	Frame Length	<b>7.50 in</b>
Shaft Diameter	<b>0.500 in</b>	Shaft Extension	<b>1.5 in</b>
Assembly/Box Mounting	<b>F1 ONLY</b>		
Outline Drawing	<b>A-SS404129-750</b>	Connection Diagram	<b>A-EE7308-REGAL</b>

**This is an uncontrolled document once printed or downloaded and is subject to change without notice. Date Created: 10/15/2018**

SS404129



DASH NO.	"C"	"AD"
450	8.12	3.43
475	8.37	3.68
500	8.62	3.93
525	8.87	4.18
550	9.12	4.43
575	9.37	4.68
600	9.62	4.93
625	9.87	5.18
650	10.12	5.43
675	10.37	5.68
700	10.62	5.93
725	10.87	6.18
750	11.12	6.43
775	11.37	6.68

		TOLERANCES UNLESS SPECIFIED		 <b>Regal Beloit America, Inc.</b>	DRAWN PVR 12/22/14
		DEC.	INCHES		CHK AP 12/22/14
			.X ±.1	TITLE	APPD
			.XX ±.03	OUTLINE - 48 FRAME	SCALE 1=2
			.XXX ±.005	RIGID MOUNT - DRIP PROOF	REF 031622
A	NEW DRAWING	PVR 12/22/14	AP .XXXX ±.0005	MAT'L.	FMF
NO.	REVISION	BY & DATE	CHK ANG ±1/2'	FINISH	PREV
THIS DRAWING IN DESIGN AND DETAIL IS OUR PROPERTY AND MUST NOT BE USED EXCEPT IN CONNECTION WITH OUR WORK ALL RIGHTS OF DESIGN AND INVENTION ARE RESERVED THIS IS AN ELECTRONICALLY GENERATED DOCUMENT - DO NOT SCALE THIS PRINT				RFP	CAD FILE SS404129
				SIZE A	DRAWING NO. SS404129
					REV. A



NO.		REVISION		BY & DATE		TOLERANCES UNLESS SPECIFIED		DRAWN RM 11/20/1990			
						CHK	ANG		DEC.	INCHES	
5	CHG TO REGAL LOGO	SL	09/10/2015	AB				CHK ML 11/21/1990			
4	REVISED IEC NOTATIONS	MSG	11/15/2011	CMN	.X	±.1		APPD SAS 04/24/2003			
3	ADDED IEC NOTATIONS... (U1), (V1) ETC. MU95194	MSG	5/10/2010	MJS	.XX	±.02		SCALE 1=1			
2	ADDED THE OPTIONAL CORD CONNECTION MU46318	RDH	04/24/2003	DRS	.XXX	±.005		REF			
1	REDRAWN	RM	11/20/1990		.XXXX	±.0005		FMF			
						±7'30"	FINISH	PREV			
THIS DRAWING IN DESIGN AND DETAIL IS OUR PROPERTY AND MUST NOT BE USED EXCEPT IN CONNECTION WITH OUR WORK ALL RIGHTS OF DESIGN AND INVENTION ARE RESERVED THIS IS AN ELECTRONICALLY GENERATED DOCUMENT - DO NOT SCALE THIS PRINT						RFP	CAD FILE ee7308	SIZE A	DRAWING NO. EE7308	PAGE OF 5	REV. 5
						DIST	WP				

**REGAL**™ Regal Beloit America, Inc.



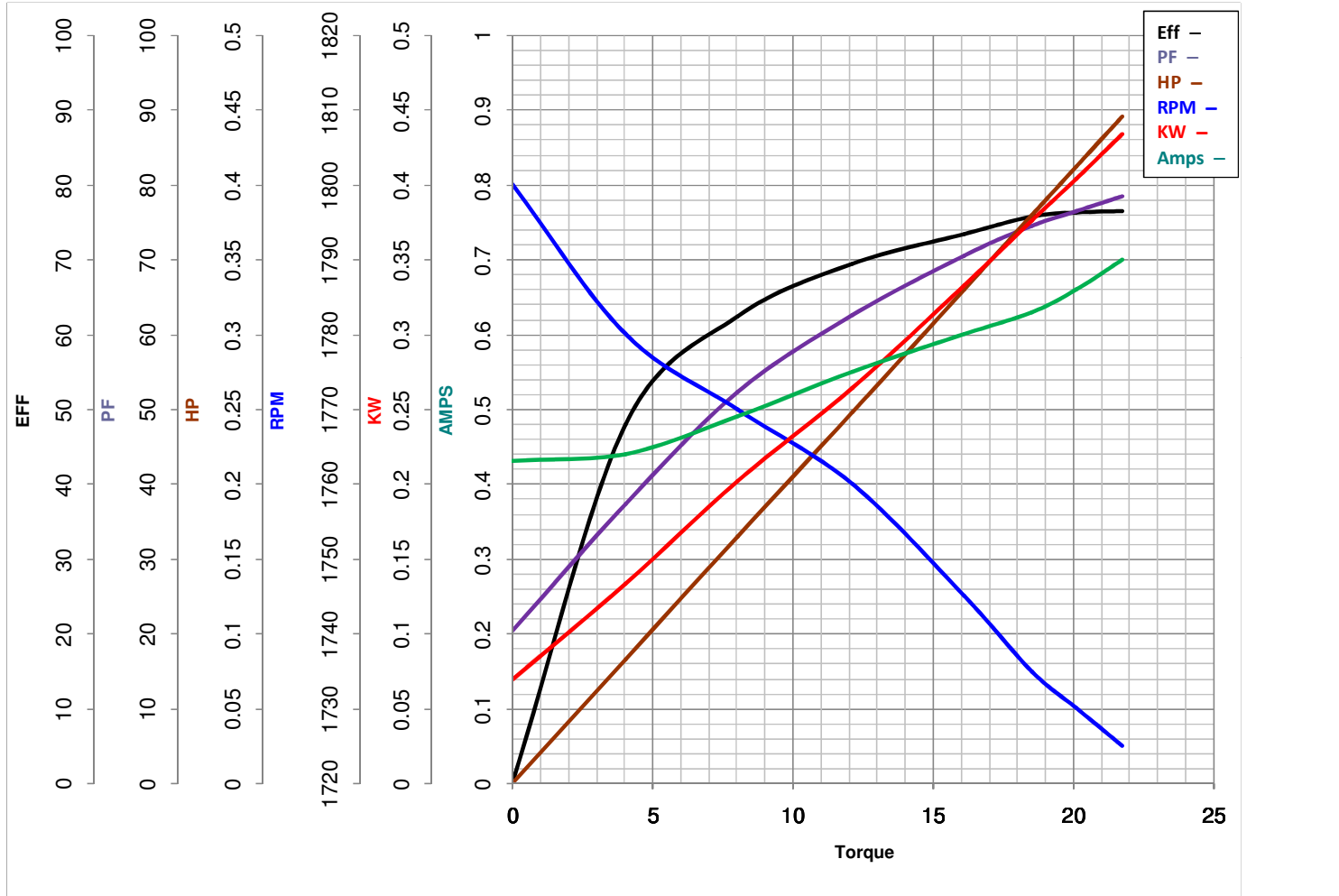
**LEESON ELECTRIC CORPORATION**  
 TYPICAL PERFORMANCE CURVE for AC MOTOR

Model No E100446.00

Catalog No E100446.00

Curve at 460 Volts      HP 0.33&0.25      PHASE 3  
60 HZ  
0.33 HP      VOLTS 230/460&190/380

HZ 60&50      RPM 1725&1425



FL TORQUE	<u>16.1</u>	Oz.Ft	FL AMPS	<u>1.2/6</u>	
BD TORQUE	<u>77.6</u>	Oz.Ft	PU TORQUE	<u>64.3</u>	Oz.Ft
LR TORQUE	<u>70.7</u>	Oz.Ft	LR AMPS	<u>4.47</u>	
WINDING	TE484125-3		Date	5/23/2018	