

PRODUCT INFORMATION PACKET



Model No: E100357.00
Catalog No: E100357.00
0.75 HP General Purpose Motor, 1 phase, 3600 RPM, 115/230 V, 56C Frame, ODP
Single Phase ODP Motors



Regal and Leeson are trademarks of Regal Beloit Corporation or one of its affiliated companies.
©2019 Regal Beloit Corporation, All Rights Reserved. MC017097E

The Regal logo is positioned in the bottom right area, consisting of the word "REGAL" in white capital letters on a dark grey rectangular background. To the right of the logo is a vertical decorative bar with a blue-to-black gradient and a halftone dot pattern.



Nameplate Specifications

Output HP	0.75 Hp	Output KW	0.56 kW
Frequency	60 Hz	Voltage	115/230 V
Current	7.2/3.6 A	Speed	3450 rpm
Service Factor	1.25	Phase	1
Efficiency	76.2 %	Power Factor	89.2
Duty	Continuous	Insulation Class	B
Design Code	N	KVA Code	K
Frame	S56C	Enclosure	Drip Proof
Thermal Protection	No	Ambient Temperature	40 °C
Drive End Bearing Size	6203	Opp Drive End Bearing Size	6203
UL	Recognized	CSA	Y
CE	Y	IP Code	22

Technical Specifications

Electrical Type	Capacitor Start Capacitor Run	Starting Method	Across The Line
Poles	2	Rotation	Selective Counterclockwise
Resistance Main	0 Ohms	Mounting	Round
Motor Orientation	Horizontal	Drive End Bearing	Ball
Opp Drive End Bearing	Ball	Frame Material	Rolled Steel
Shaft Type	NEMA 56	Overall Length	11.49 in
Frame Length	7.50 in	Shaft Diameter	0.625 in
Shaft Extension	2.06 in	Assembly/Box Mounting	F1 Only

This is an uncontrolled document once printed or downloaded and is subject to change without notice. Date Created:01/11/2019

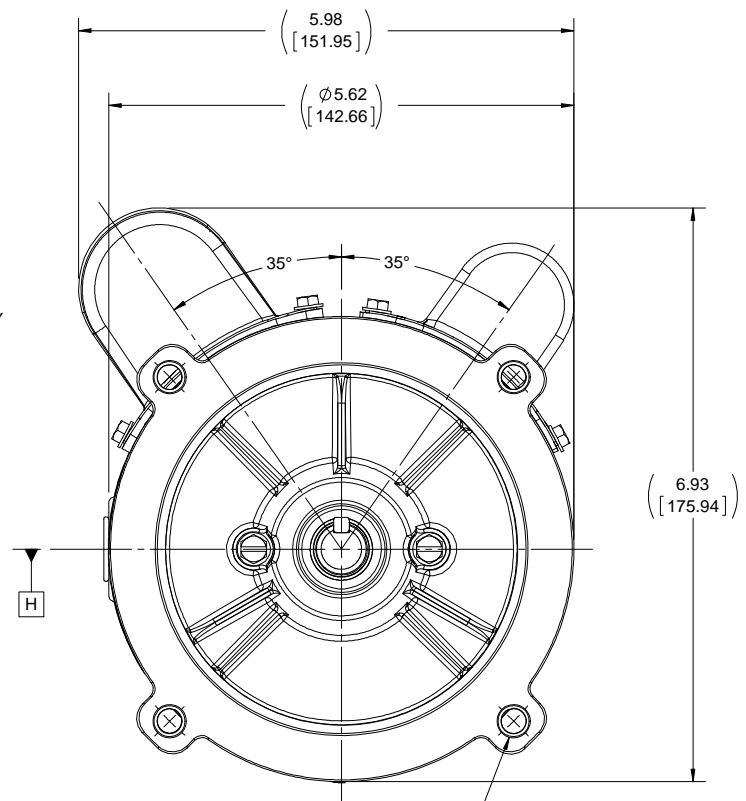
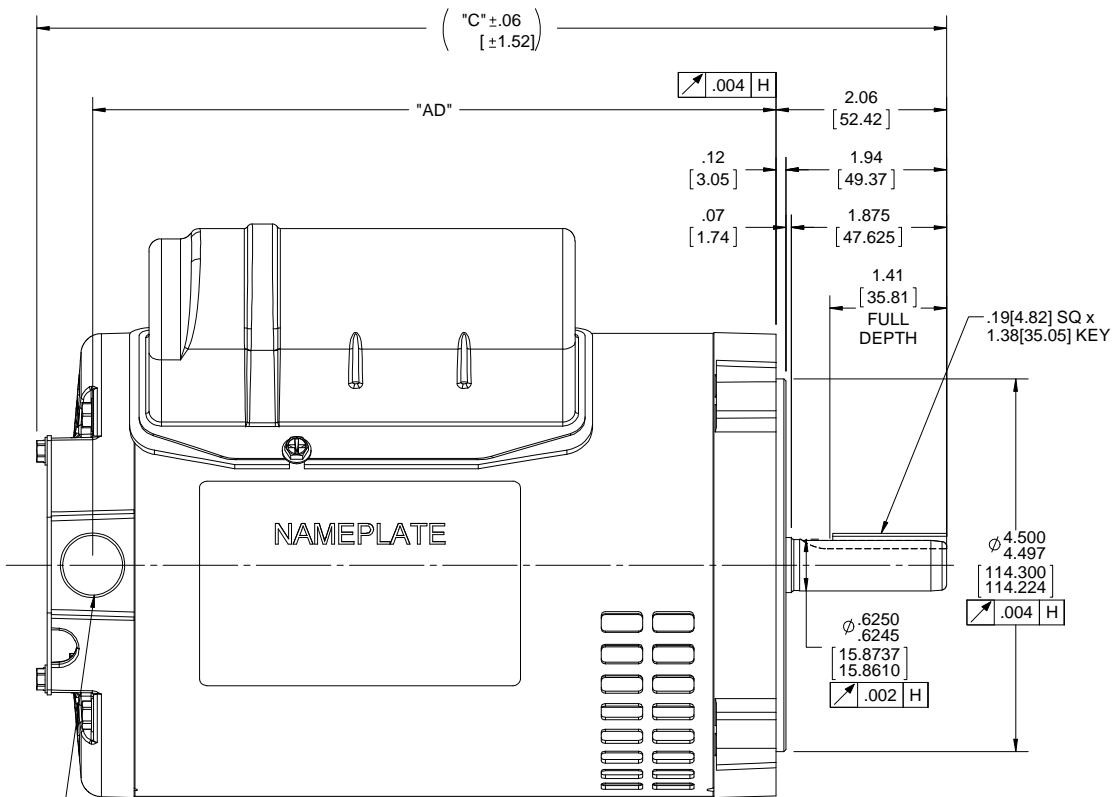
4

3

Uncontrolled Copy

2

1



3/8-16 UNC 2B TAP x .56[14.22] DEEP
 (4) REQ'D. ON A Ø5.875[149.22] B.C.

1/2-14 NPT
 CONDUIT HOLE
 (PLUGGED)

DASH NO.	"C"	"AD"
550	9.49[241.04]	6.75[171.45]
575	9.74[247.39]	7.00[177.80]
600	9.99[253.74]	7.25[184.15]
625	10.24[260.09]	7.50[190.50]
650	10.49[266.44]	7.75[196.85]
675	10.74[272.79]	8.00[203.20]
700	10.99[279.14]	8.25[209.55]
725	11.24[285.49]	8.50[215.90]
750	11.49[291.84]	8.75[222.25]

DRAWING REVISION D	REVISION BY H. ADIKE	DATE 11/15/2018
ECO ECO-0157933	APPROVED BY JD	DATE 12/6/2018
ECO DESCRIPTION OUTLINE CONVERSION PROJECT		
<small>COPYRIGHT REGAL BELOIT AMERICA, INC. ALL RIGHTS RESERVED. PROPRIETARY AND CONFIDENTIAL INFORMATION - THIS DOCUMENT IS THE PROPERTY OF REGAL BELOIT AMERICA, INC. ("OWNER") AND CONTAINS OWNER'S PROPRIETARY INFORMATION. ANY PERSON, CORPORATION OR OTHER FIRM RECEIVING IT IS DEEMED, BY RECEIVING IT, TO AGREE THAT IT, AND/OR ANY PART OF IT, SHALL NOT BE DISCLOSED TO ANY PERSON, CORPORATION OR OTHER ENTITY, DUPLICATED, AND/OR USED, EXCEPT AS EXPRESSLY APPROVED IN WRITING IN ADVANCE BY OWNER. THIS DOCUMENT SHALL BE RETURNED TO OWNER UPON REQUEST. IT MAY BE SUBJECT TO CERTAIN RESTRICTIONS UNDER APPLICABLE EXPORT CONTROL LAWS AND REGULATIONS.</small>		

TOLERANCES UNLESS OTHERWISE SPECIFIED:			
DEC.	INCH	mm	ANGLE
-X	+0.1	[+2.5]	±0.5°
.XX	+0.03	[+0.76]	
.XXX	+0.005	[+0.127]	
.XXXX	+0.0005	[+0.0127]	
REMOVE BURRS & BREAK SHARP EDGES: .003/.015 [0.076/.381] X 45°			
CORNER FILLETS: R.02 [51]			
MACHINED SURFACES: 125/3.2			
mm SHOWN IN [BRACKETS]			

DRAWN BY SM	DATE 12/03/2014
APPROVED BY SM	DATE 12/03/2014
REFERENCE SS404120	THIRD ANGLE PROJECTION

REGAL ™ Regal Beloit America, Inc.	
DESCRIPTION OUTLINE S56 FRAME ROUND MOUNT - DRIP PROOF	
MATERIAL	PROCESS/FINISH
SIZE B	DRAWING NUMBER SS404121
SHEET 1 OF 1	

4

3

2

1