

PRODUCT INFORMATION PACKET



Model No: C4K34DC3A

Catalog No: E100356.00

..1/2HP..3600RPM.S56C.ODP.115/230V.1PH.60HZ.CONT.40C.1.25S.F..C FACE.....GENERAL PURPOSE.NOT.....

Open Drip Proof (ODP)



Regal and Leeson are trademarks of Regal Beloit Corporation or one of its affiliated companies.

©2018 Regal Beloit Corporation, All Rights Reserved. MC017097E





Nameplate Specifications

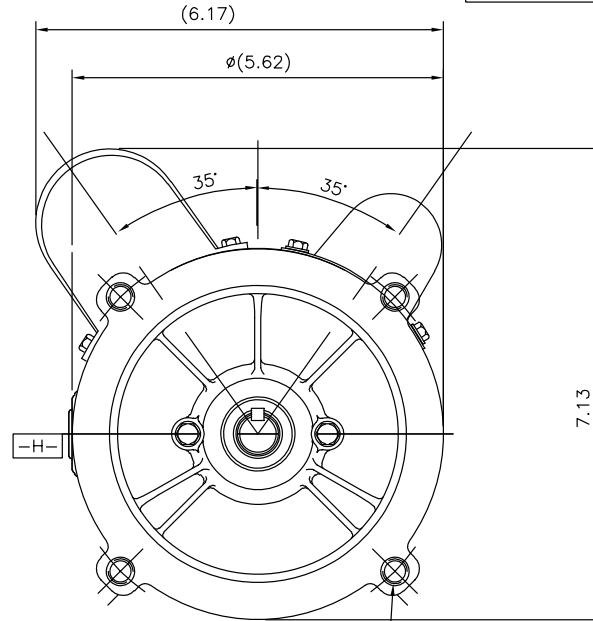
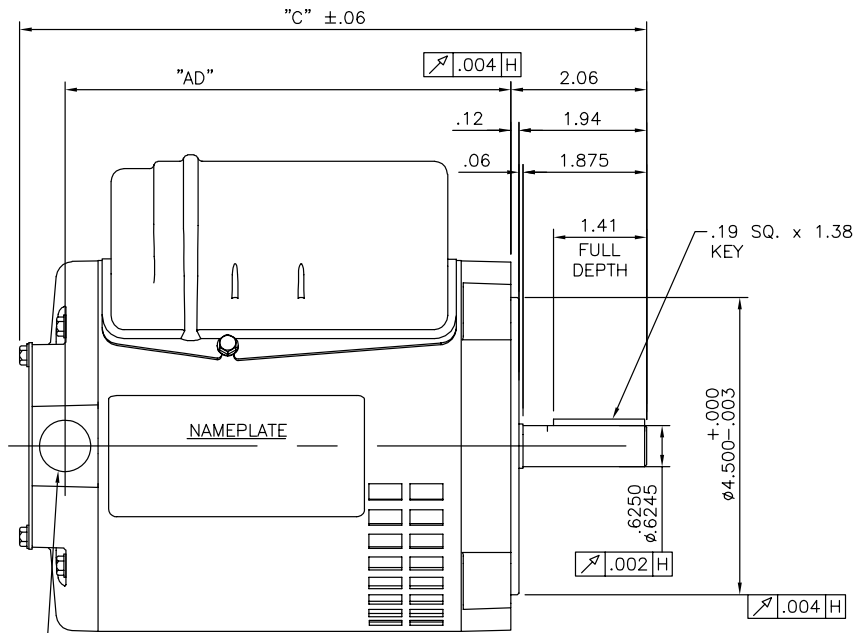
Output HP	0.50 Hp	Output KW	0.37 kW
Frequency	60 Hz	Voltage	115/230 V
Current	4.4/2.2 A	Speed	3450 rpm
Service Factor	1.25	Phase	1
Efficiency	72.4 %	Duty	Continuous
Insulation Class	B	Design Code	N
KVA Code	L	Frame	S56C
Enclosure	Drip Proof	Overload Protector	No
Ambient Temperature	40 °C	Drive End Bearing Size	6203
Opp Drive End Bearing Size	6203	UL	Recognized
CSA	Y	CE	Y
IP Code	22		

Technical Specifications

Electrical Type	Capacitor Start Capacitor Run	Starting Method	Across The Line
Poles	2	Rotation	Selective Counterclockwise
Mounting	Round	Motor Orientation	HORIZONTAL
Drive End Bearing	BALL	Opp Drive End Bearing	BALL
Frame Material	Rolled Steel	Shaft Type	NEMA 56
Overall Length	10.74 in	Frame Length	6.75 in
Shaft Diameter	0.625 in	Shaft Extension	1.88 in
Assembly/Box Mounting	F1 ONLY		
Outline Drawing	A-SS404121-675	Connection Diagram	A-005054-15-REGAL

This is an uncontrolled document once printed or downloaded and is subject to change without notice. Date Created: 10/15/2018

SS404121



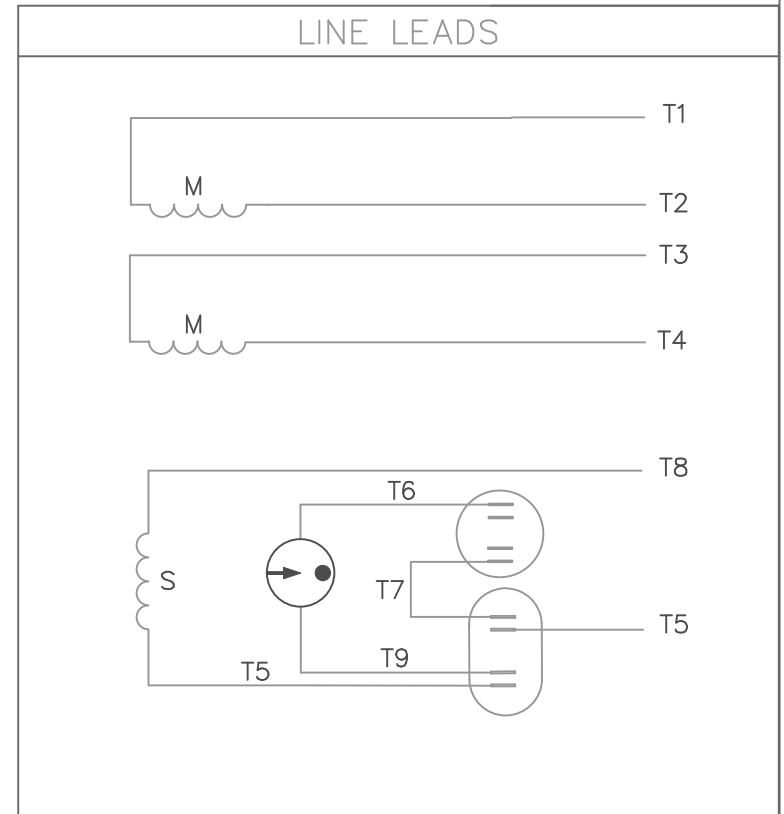
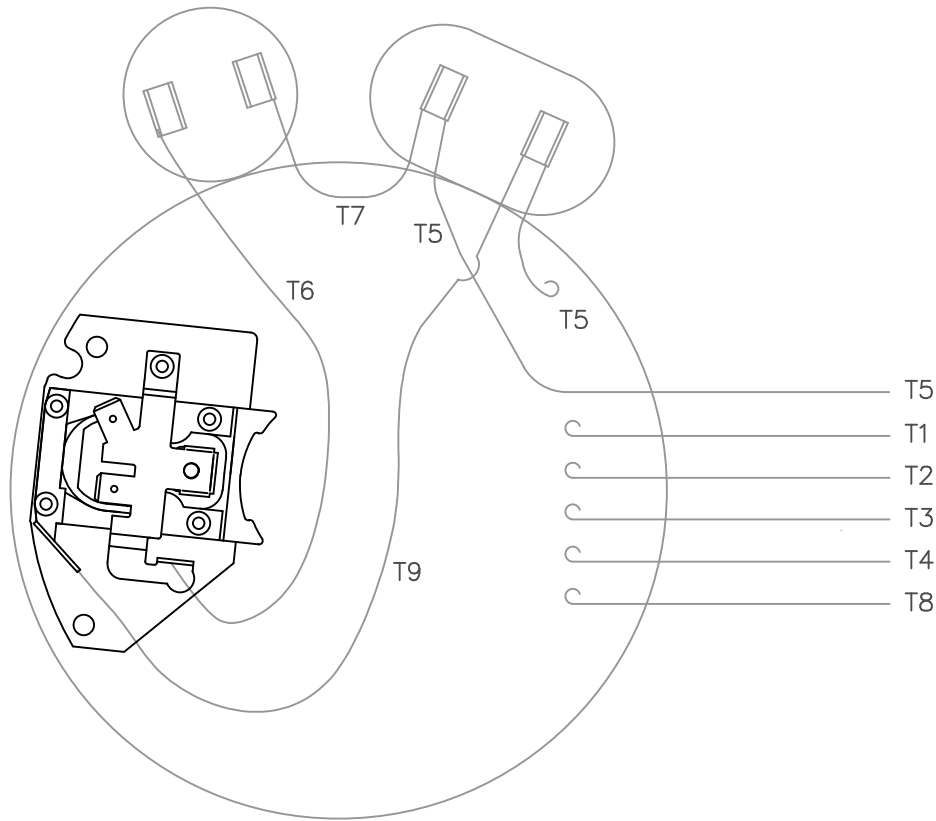
1/2-14 NPT
CONDUIT HOLE
(PLUGGED)

DASH NO.	"C"	"AD"
550	9.49	6.75
575	9.74	7.00
600	9.99	7.25
625	10.24	7.50
650	10.49	7.75
675	10.74	8.00
700	10.99	8.25
725	11.24	8.50
750	11.49	8.75

3/8-16 UNC 2B TAP x .56 DEEP
(4) REQ'D. ON A Ø5.875 B.C.

		TOLERANCES UNLESS SPECIFIED		REGAL ™ Regal Beloit America, Inc.	DRAWN SM 12/03/2014
		DEC.	INCHES		CHK SM 12/03/2014
			.X ±.1	TITLE OUTLINE	APPD
			.XX ±.03	S56 FRAME ROUND MOUNT – DRIP PROOF	SCALE NTS
			.XXX ±.005	MAT'L.	REF SS404120
A	CREATED NEW DRAWING	SM 12/03/2014	SM .XXXX ±.0005	FINISH	FMF
NO.	REVISION	BY & DATE	CHK ANG ±7'30"		PREV
THIS DRAWING IN DESIGN AND DETAIL IS OUR PROPERTY AND MUST NOT BE USED EXCEPT IN CONNECTION WITH OUR WORK ALL RIGHTS OF DESIGN AND INVENTION ARE RESERVED THIS IS AN ELECTRONICALLY GENERATED DOCUMENT – DO NOT SCALE THIS PRINT			RFP	CAD FILE SS404121	SIZE DRAWING NO. PAGE 1 OF 1 REV.
			DIST WP	A	SS404121 A

VIEW FROM OUTSIDE OF MOTOR AT SWITCH END.



	ROTATION FACING LEAD END	L1	L2	JOIN
HIGH VOLT	C.C.W.	T1	T4 T5	T2, T3 T8
	C.W.	T1	T4 T8	T2, T3 T5
LOW VOLT	C.C.W.	T1 T3, T8	T2, T4 T5	
	C.W.	T1, T3 T5	T2, T4 T8	

		TOLERANCES UNLESS SPECIFIED	
		DEC.	INCHES
		.X	±.1
		.XX	±.01
		.XXX	±.005
		.XXXX	±.0005
NO.	REVISION	BY & DATE	CHK
			ANG ±1/2'



ELECTRIC MOTORS
GEARMOTORS
AND DRIVES

TITLE	EXTERNAL WIRING DIAGRAM TYPE "K" W/O PROTECTOR
MAT'L.	DECAL 004012
FINISH	
RFP	CAD FILE 00505415
DIST	

DRAWN	PG 4/17/03
CHK	
APPD	
SCALE	1=1
REF	005054-01
FMF	102368.00
PREV	
SIZE	DRAWING NO.
A	005054-15
REV.	



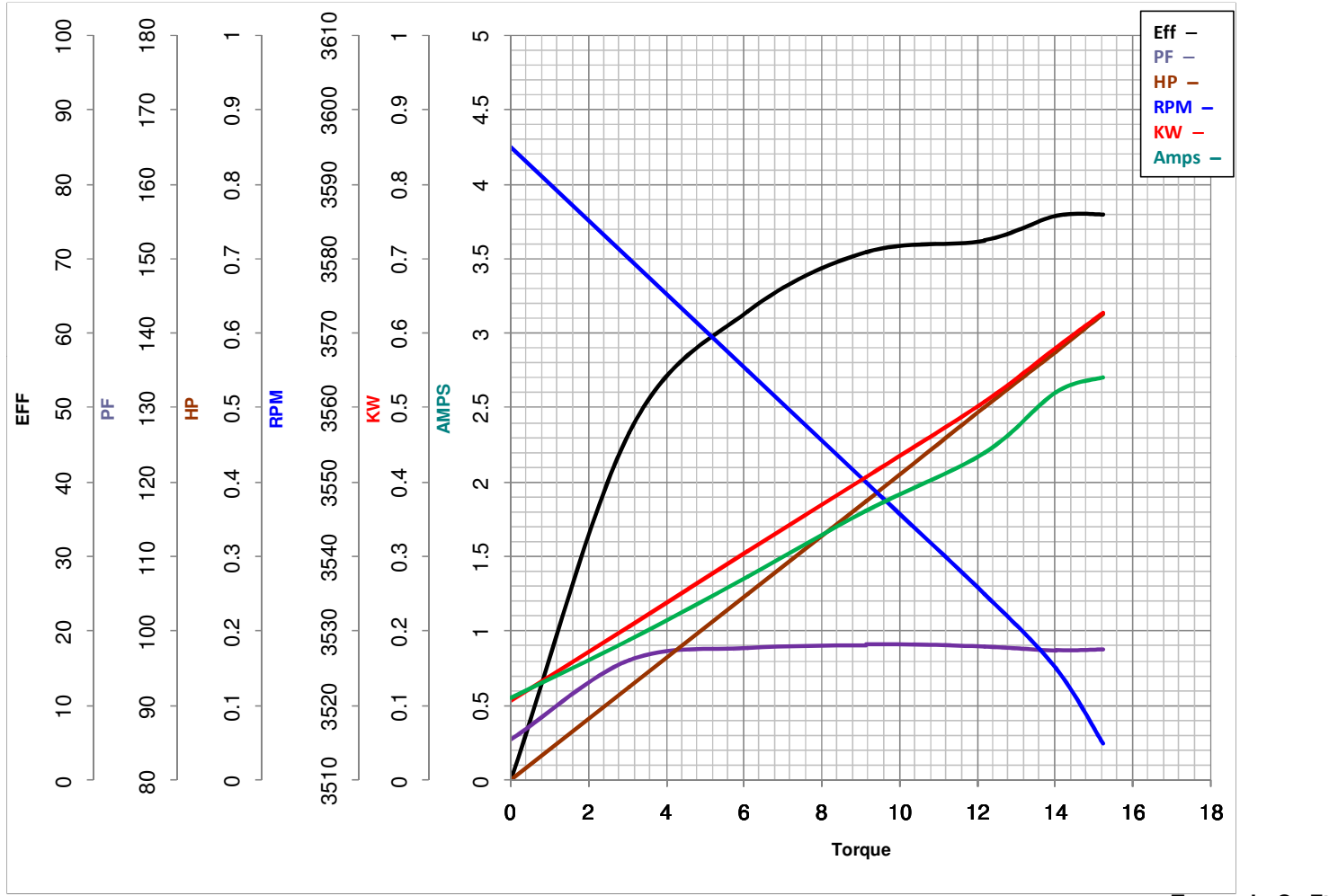
LEESON ELECTRIC CORPORATION
 TYPICAL PERFORMANCE CURVE for AC MOTOR

Model No E100356.00

Catalog No E100356.00

Curve at 230 Volts HP 0.50 PHASE 1
60 HZ
0.5 HP VOLTS 115/230

HZ 60 RPM 3450



FL TORQUE	<u>12.2</u> Oz.Ft	FL AMPS	<u>4.4/2.2</u>
BD TORQUE	<u>34.0</u> Oz.Ft	PU TORQUE	<u>32.8</u> Oz.Ft
LR TORQUE	<u>33.23</u> Oz.Ft	LR AMPS	<u>21.16</u>
WINDING	BE48277-3	Date	4/19/2018