

# PRODUCT INFORMATION PACKET



Model No: E100340.00  
Catalog No: E100340.00  
0.75 HP General Purpose Motor, 1 phase, 3600 RPM, 115/230 V, 56 Frame, ODP  
Single Phase ODP Motors



Regal and Leeson are trademarks of Regal Beloit Corporation or one of its affiliated companies.  
©2019 Regal Beloit Corporation, All Rights Reserved. MC017097E





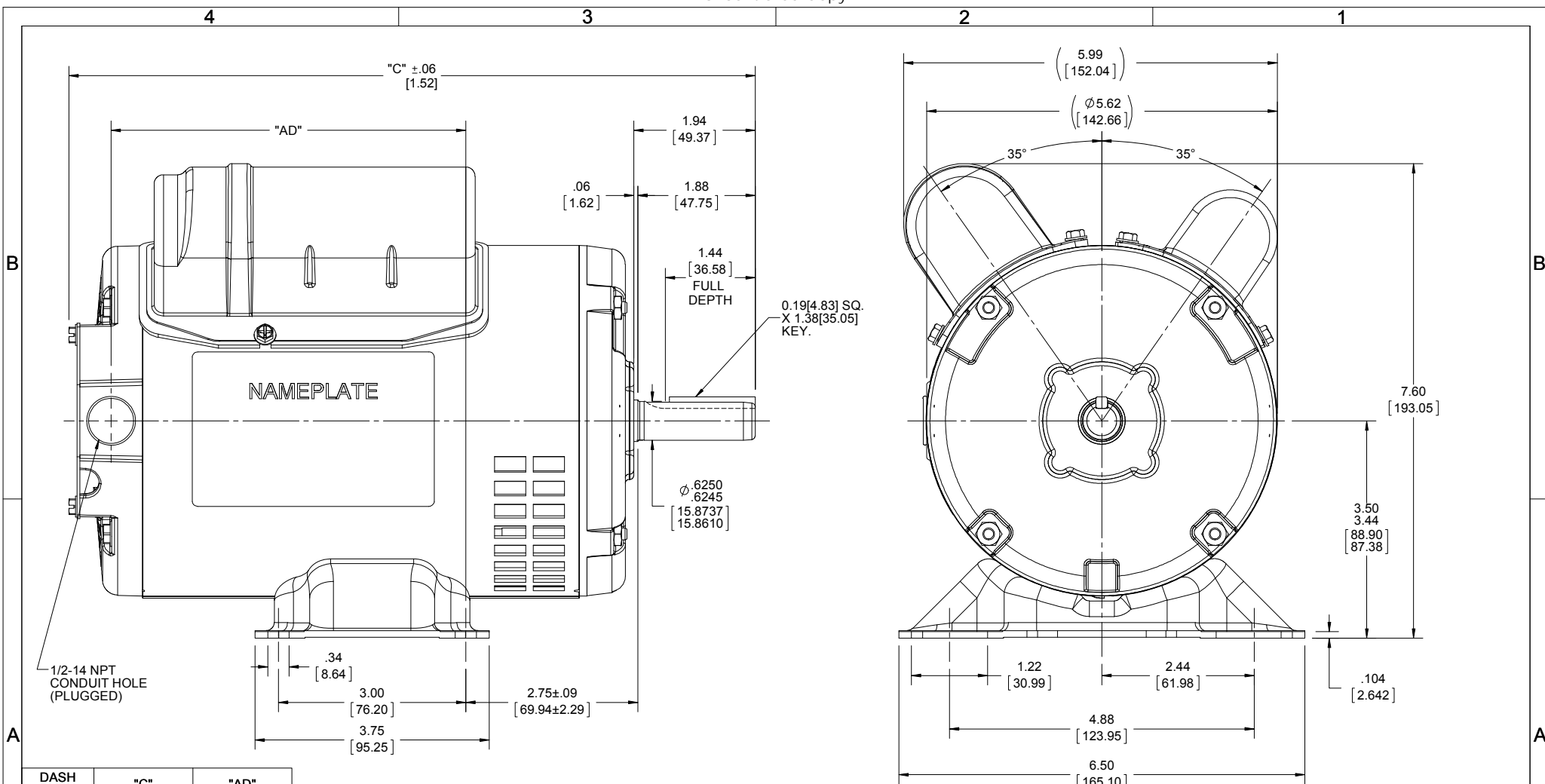
### Nameplate Specifications

Output HP	<b>0.75 Hp</b>	Output KW	<b>0.56 kW</b>
Frequency	<b>60 Hz</b>	Voltage	<b>115/230 V</b>
Current	<b>7.2/3.6 A</b>	Speed	<b>3450 rpm</b>
Service Factor	<b>1.25</b>	Phase	<b>1</b>
Efficiency	<b>76.2 %</b>	Power Factor	<b>89.2</b>
Duty	<b>Continuous</b>	Insulation Class	<b>B</b>
Design Code	<b>N</b>	KVA Code	<b>K</b>
Frame	<b>S56</b>	Enclosure	<b>Drip Proof</b>
Thermal Protection	<b>No</b>	Ambient Temperature	<b>40 °C</b>
Drive End Bearing Size	<b>6203</b>	Opp Drive End Bearing Size	<b>6203</b>
UL	<b>Recognized</b>	CSA	<b>Y</b>
CE	<b>Y</b>	IP Code	<b>22</b>

### Technical Specifications

Electrical Type	<b>Capacitor Start Capacitor Run</b>	Starting Method	<b>Across The Line</b>
Poles	<b>2</b>	Rotation	<b>Selective Counterclockwise</b>
Resistance Main	<b>0 Ohms</b>	Mounting	<b>Rigid base</b>
Motor Orientation	<b>Horizontal</b>	Drive End Bearing	<b>Ball</b>
Opp Drive End Bearing	<b>Ball</b>	Frame Material	<b>Rolled Steel</b>
Shaft Type	<b>NEMA 56</b>	Overall Length	<b>11.49 in</b>
Frame Length	<b>7.50 in</b>	Shaft Diameter	<b>0.625 in</b>
Shaft Extension	<b>1.875 in</b>	Assembly/Box Mounting	<b>F1 Only</b>

This is an uncontrolled document once printed or downloaded and is subject to change without notice. Date Created:01/11/2019



DASH NO.	"C"	"AD"
550	9.48[240.79]	4.18[106.17]
575	9.73[247.14]	4.43[112.52]
600	9.98[253.49]	4.68[118.87]
625	10.23[259.84]	4.93[125.22]
650	10.48[266.19]	5.18[131.57]
675	10.73[272.54]	5.43[137.92]
700	10.98[278.89]	5.68[144.27]
725	11.23[285.24]	5.93[150.62]
750	11.48[291.59]	6.18[156.97]
800	11.98[304.29]	6.68[169.67]

DRAWING REVISION F	REVISION BY S SAHOO	DATE 11/19/2018
ECO ECO-0160891	APPROVED BY S MACHARLA	DATE 01/29/2019
ECO DESCRIPTION <b>OUTLINE CONVERSION PROJECT</b> <small>COPYRIGHT REGAL BELOIT AMERICA, INC. ALL RIGHTS RESERVED. PROPRIETARY AND CONFIDENTIAL INFORMATION - THIS DOCUMENT IS THE PROPERTY OF REGAL BELOIT AMERICA, INC. (OWNER) AND CONTAINS OWNERS PROPRIETARY INFORMATION. ANY PERSON, CORPORATION OR OTHER FIRM RECEIVING IT IS DEEMED, BY RECEIVING IT, TO AGREE THAT IT, AND/OR ANY PART OF IT, SHALL NOT BE DISCLOSED TO ANY PERSON, CORPORATION OR OTHER ENTITY, DUPLICATED, AND/OR USED, EXCEPT AS EXPRESSLY APPROVED IN WRITING IN ADVANCE BY OWNER. THIS DOCUMENT SHALL BE RETURNED TO OWNER UPON REQUEST. IT MAY BE SUBJECT TO CERTAIN RESTRICTIONS UNDER APPLICABLE EXPORT CONTROL LAWS AND REGULATIONS.</small>		

TOLERANCES UNLESS OTHERWISE SPECIFIED:		
DEC.	INCH	mm
-X	+0.1	[+2.5]
.XX	+0.03	[+0.76]
.XXX	+0.005	[+0.127]
.XXXX	+0.0005	[+0.0127]
REMOVE BURRS & BREAK SHARP EDGES: .003/.015 [0.076/.381] X 45 °		
CORNER FILLETS: R.02 [51]		
MACHINED SURFACES: 200 INCH 5.1 mm		
mm SHOWN IN [BRACKETS]		

DRAWN BY PVR	DATE 11/28/14
APPROVED BY	DATE
REFERENCE 031619	THIRD ANGLE PROJECTION

<b>REGAL</b> ™ Regal Beloit America, Inc.	
DESCRIPTION <b>OUTLINE</b> S56 FRAME RIGID MOUNT-DRIP PROOF	
MATERIAL	PROCESS/FINISH
SIZE <b>B</b>	DRAWING NUMBER <b>SS404118</b>
SHEET 1 OF 1	