

PRODUCT INFORMATION PACKET



Model No: A4K17DB12A

Catalog No: E100116.00

..1/3HP..1725RPM.48.DP.115/208-230V.1PH.60HZ.CONT.40C.1.35SF.RIGID.A4C17DB2H.....GENERAL PURPOSE.AUTOMATIC.....

Open Drip Proof (ODP)



Regal and Leeson are trademarks of Regal Beloit Corporation or one of its affiliated companies.

©2018 Regal Beloit Corporation, All Rights Reserved. MC017097E





Nameplate Specifications

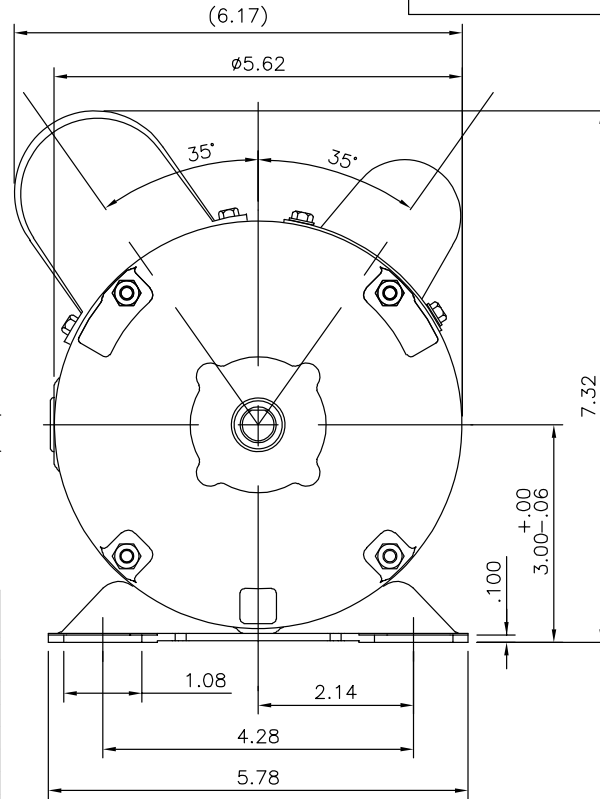
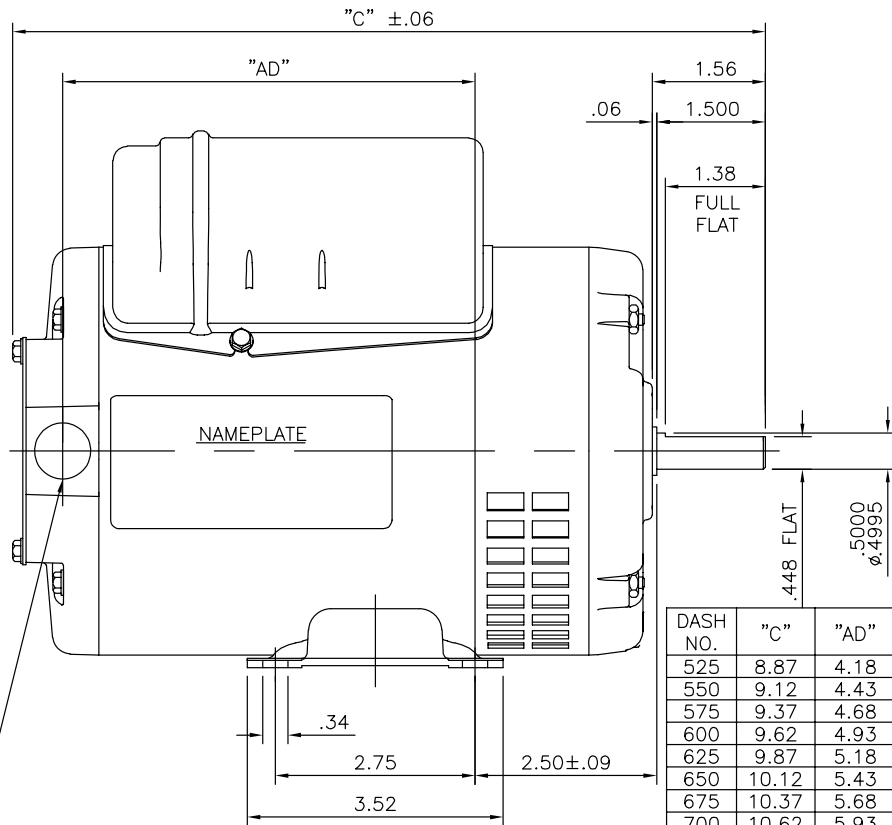
Output HP	0.33 Hp	Output KW	0.25 kW
Frequency	60 Hz	Voltage	115/230 V
Current	3.8/1.9 A	Speed	1725 rpm
Service Factor	1.35	Phase	1
Efficiency	72.4 %	Duty	Continuous
Insulation Class	F	Design Code	N
KVA Code	L	Frame	48
Enclosure	Drip Proof	Overload Protector	Automatic
Ambient Temperature	40 °C	Drive End Bearing Size	6203
Opp Drive End Bearing Size	6203	UL	Recognized
CSA	Y	CE	Y
IP Code	22		

Technical Specifications

Electrical Type	Capacitor Start Capacitor Run	Starting Method	Across The Line
Poles	4	Rotation	Selective Counterclockwise
Mounting	Rigid base	Motor Orientation	HORIZONTAL
Drive End Bearing	BALL	Opp Drive End Bearing	BALL
Frame Material	Rolled Steel	Shaft Type	NEMA 48
Overall Length	10.62 in	Frame Length	7.00 in
Shaft Diameter	0.500 in	Shaft Extension	1.5 in
Assembly/Box Mounting	F1 ONLY		
Outline Drawing	A-SS404123-700	Connection Diagram	A-005053-40


This is an uncontrolled document once printed or downloaded and is subject to change without notice. Date Created: 10/15/2018

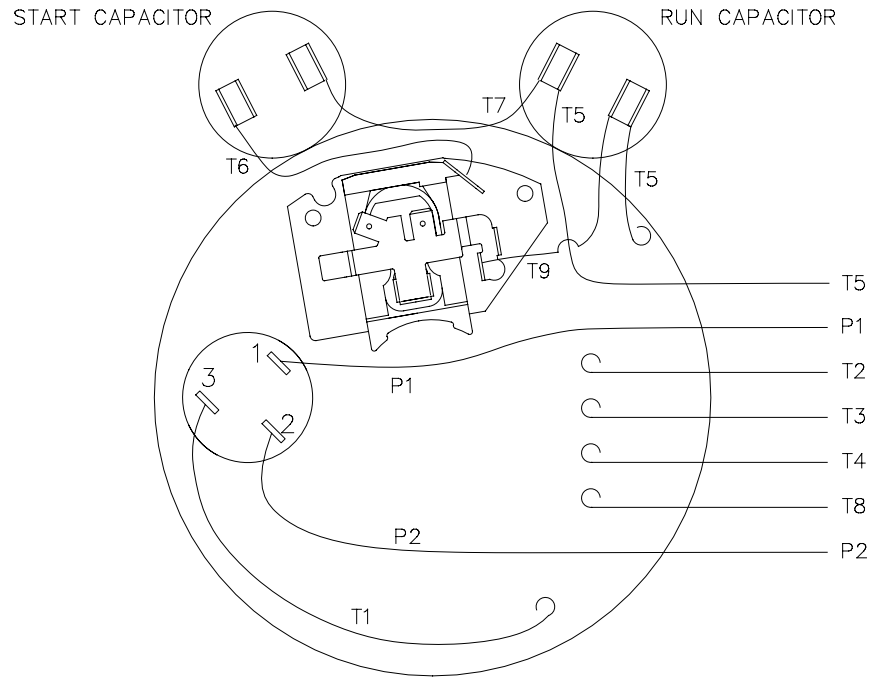
SS404123



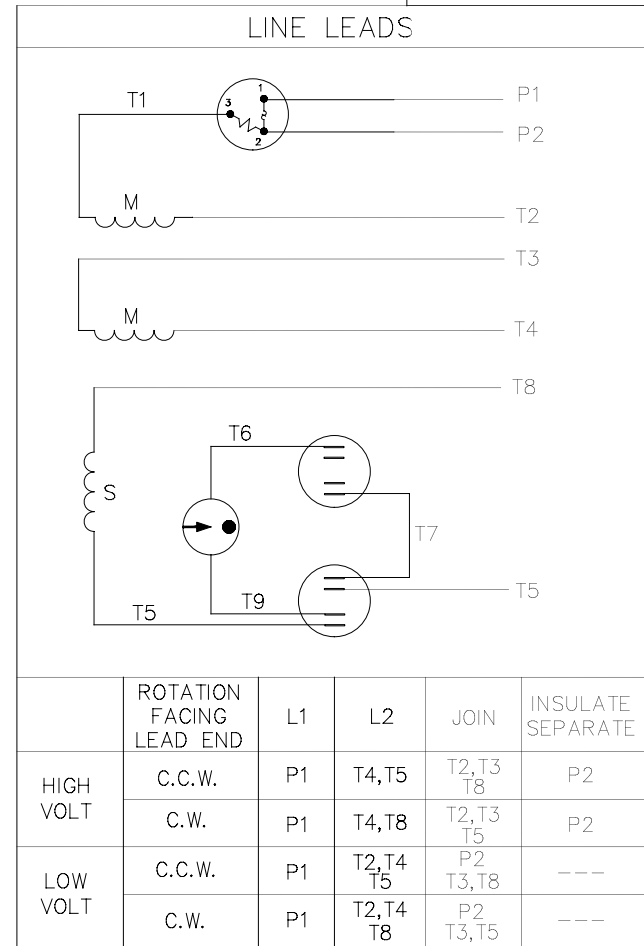
DASH NO.	"C"	"AD"
525	8.87	4.18
550	9.12	4.43
575	9.37	4.68
600	9.62	4.93
625	9.87	5.18
650	10.12	5.43
675	10.37	5.68
700	10.62	5.93
725	10.87	6.18
750	11.12	6.43
775	11.37	6.68
800	11.62	6.93

1/2-14 NPT
CONDUIT HOLE
(PLUGGED)

		TOLERANCES UNLESS SPECIFIED		 Regal Beloit America, Inc.	DRAWN JAH 12/04/2014
		DEC.	INCHES		CHK SM 12/04/2014
		.X	±0.1	TITLE	APPD
		.XX	±0.02	OUTLINE	SCALE NTS
B	ADDED DASH # 750,775,800 IN TABLE	PVR 12/17/14	SM .XXX ±0.005	S56 FRAME RIGID MOUNT - DRIP PROOF	REF SS404118
A	CREATED NEW DRAWING	JAH12/04/2014	SM .XXXX ±0.0005	MAT'L.	FMF
NO.	REVISION	BY & DATE	CHK ANG ±1.0	FINISH	PREV
THIS DRAWING IN DESIGN AND DETAIL IS OUR PROPERTY AND MUST NOT BE USED EXCEPT IN CONNECTION WITH OUR WORK ALL RIGHTS OF DESIGN AND INVENTION ARE RESERVED THIS IS AN ELECTRONICALLY GENERATED DOCUMENT - DO NOT SCALE THIS PRINT				RFP	CAD FILE
				SS404123	SIZE
				DIST	DRAWING NO.
				A	SS404123
					REV.
					B



VIEW FROM OUTSIDE OF MOTOR AT SWITCH END



				TOLERANCES UNLESS SPECIFIED		REGAL ™ Regal Beloit America, Inc.	DRAWN PG 7/2/02			
				DEC.	INCHES		CHK			
				.X	±.1		APPD			
				.XX	±.01		SCALE 5=8			
				.XXX	±.005	TITLE EXTERNAL WIRING DIAGRAM TYPE "K" W/PROTECTOR		REF 005053.01		
A	CHANGED LOGO TO REGAL	PST	2/1/16	SKM	.XXXX ±.0005	MAT'L. DUAL VOLTAGE - DUAL ROTATION		FMF 102827.00		
NO.	REVISION	BY & DATE		CHK	ANG ±1/2°	FINISH		PREV		
THIS DRAWING IN DESIGN AND DETAIL IS OUR PROPERTY AND MUST NOT BE USED EXCEPT IN CONNECTION WITH OUR WORK ALL RIGHTS OF DESIGN AND INVENTION ARE RESERVED THIS IS AN ELECTRONICALLY GENERATED DOCUMENT - DO NOT SCALE THIS PRINT				RFP		CAD FILE	00505340	SIZE A	DRAWING NO. 005053-40	REV. A
				DIST						

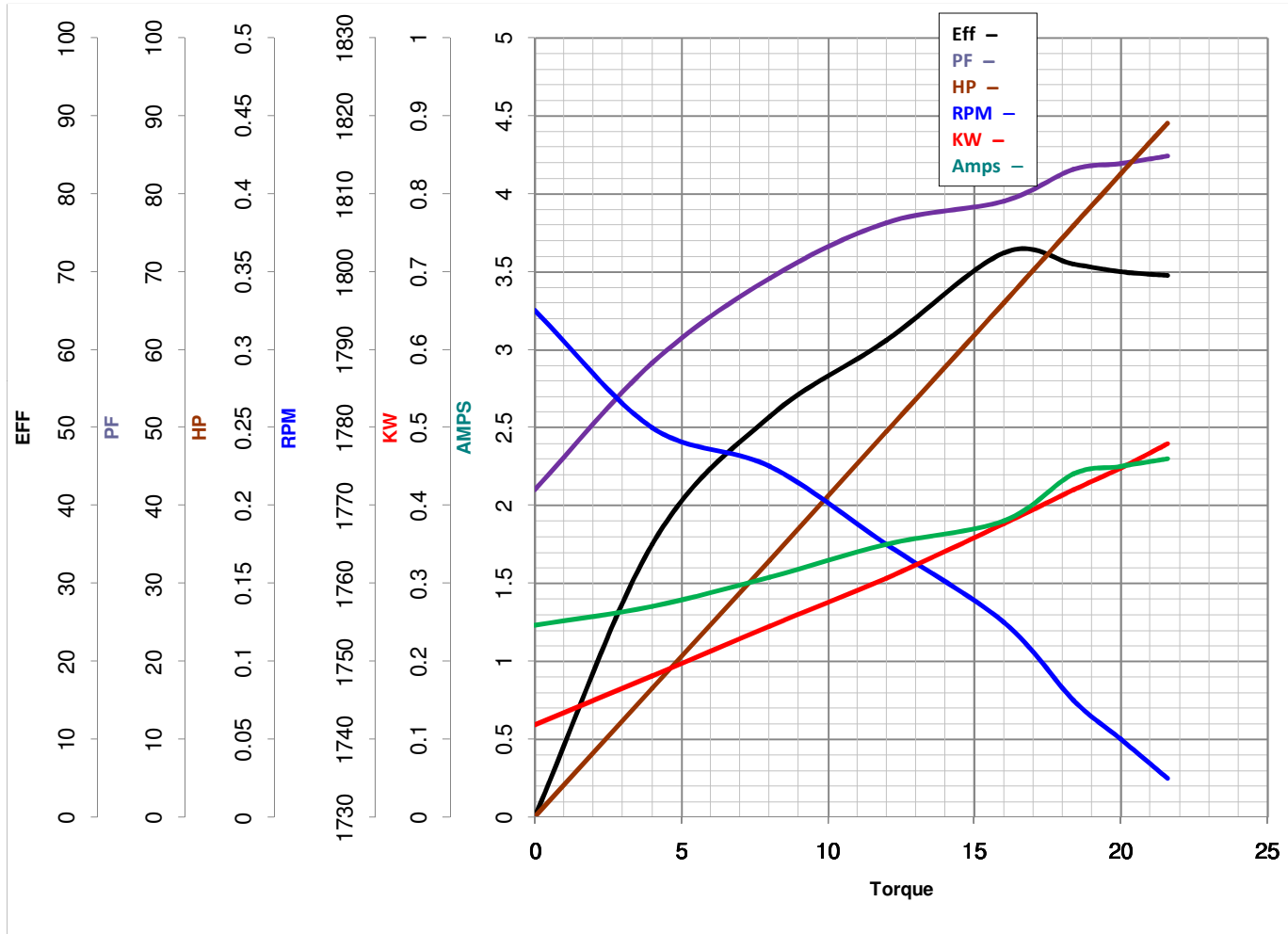


LEESON ELECTRIC CORPORATION
TYPICAL PERFORMANCE CURVE for AC MOTOR

Model No E100116.00

Catalog No E100116.00

Curve at 230 Volts HP 0.34 PHASE 1
60 HZ
0.33 HP VOLTS 115/230
HZ 60 RPM 1725



Torque in Oz.Ft

FL TORQUE 16 Oz.Ft
 BD TORQUE 43.5 Oz.Ft
 LR TORQUE 58 Oz.Ft

FL AMPS 3.8/1.9
 PU TORQUE 58.0 Oz.Ft
 LR AMPS 14.2

WINDING BE484111-3

Date 4/10/2018