

PRODUCT INFORMATION PACKET



Model No: A4K17DJ12A

Catalog No: E100063.00

..1/3HP..1725RPM.S56.DP.115/230V.1PH.60HZ.CONT.40C.1SF.RESILIENT BASE.....GENERAL
PURPOSE.AUTOMATIC.....

Open Drip Proof (ODP)



Regal and Leeson are trademarks of Regal Beloit Corporation or one of its affiliated companies.

©2018 Regal Beloit Corporation, All Rights Reserved. MC017097E



**Product Information Packet: Model No: A4K17DJ12A, Catalog No:E100063.00
 ..1/3HP..1725RPM.S56.DP.115/230V.1PH.60HZ.CONT.40C.1SF.RESILIENT BASE.....GENERAL
 PURPOSE.AUTOMATIC.....**



Nameplate Specifications

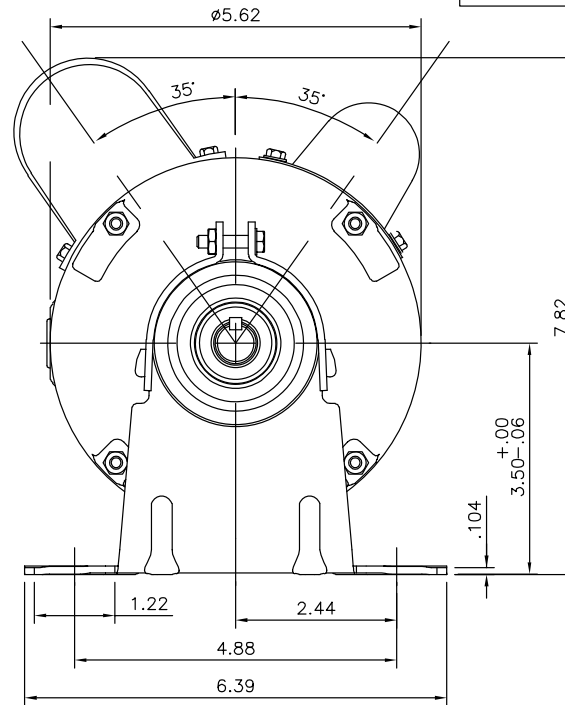
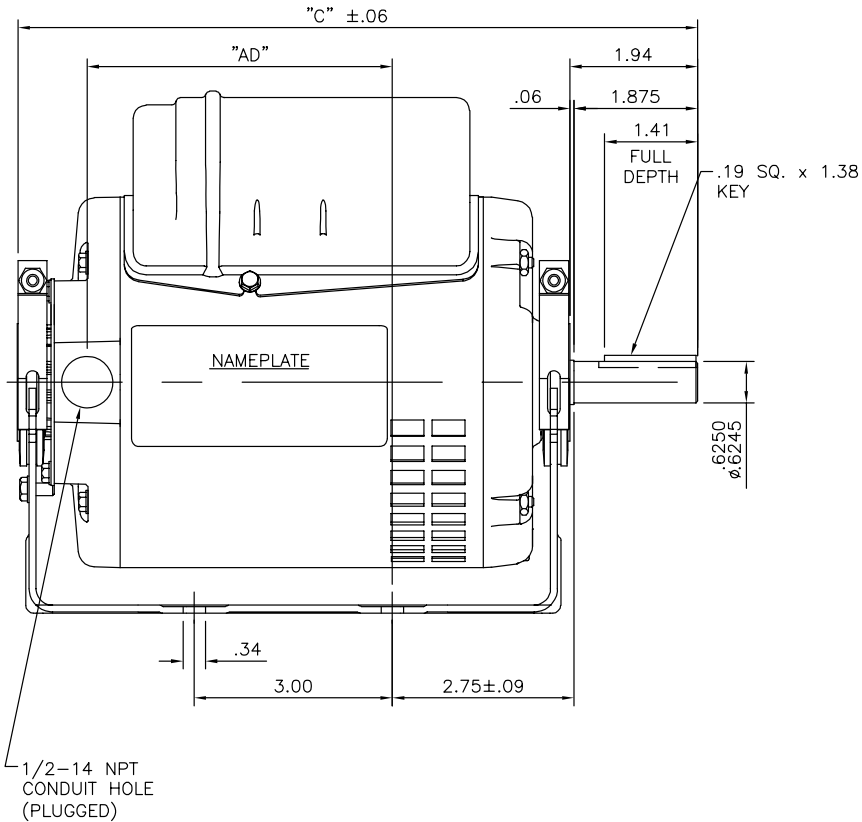
Output HP	0.33 Hp	Output KW	0.25 kW
Frequency	60 Hz	Voltage	115/230 V
Current	3.8/1.9 A	Speed	1725 rpm
Service Factor	1	Phase	1
Efficiency	72.4 %	Duty	Continuous
Insulation Class	F	Design Code	N
KVA Code	L	Frame	S56
Enclosure	Drip Proof	Overload Protector	Automatic
Ambient Temperature	40 °C	Drive End Bearing Size	6203
Opp Drive End Bearing Size	6203	UL	Recognized
CSA	Y	CE	Y
IP Code	22		

Technical Specifications

Electrical Type	Capacitor Start Capacitor Run	Starting Method	Across The Line
Poles	4	Rotation	Selective Counterclockwise
Mounting	Resilient Base	Motor Orientation	HORIZONTAL
Drive End Bearing	BALL	Opp Drive End Bearing	BALL
Frame Material	Rolled Steel	Shaft Type	NEMA 56
Overall Length	11.81 in	Frame Length	7.00 in
Shaft Diameter	0.500 in	Shaft Extension	1.5 in
Assembly/Box Mounting	F1 ONLY		
Outline Drawing	A-SS404125-700	Connection Diagram	005053.40

This is an uncontrolled document once printed or downloaded and is subject to change without notice. Date Created: 10/15/2018

SS404125



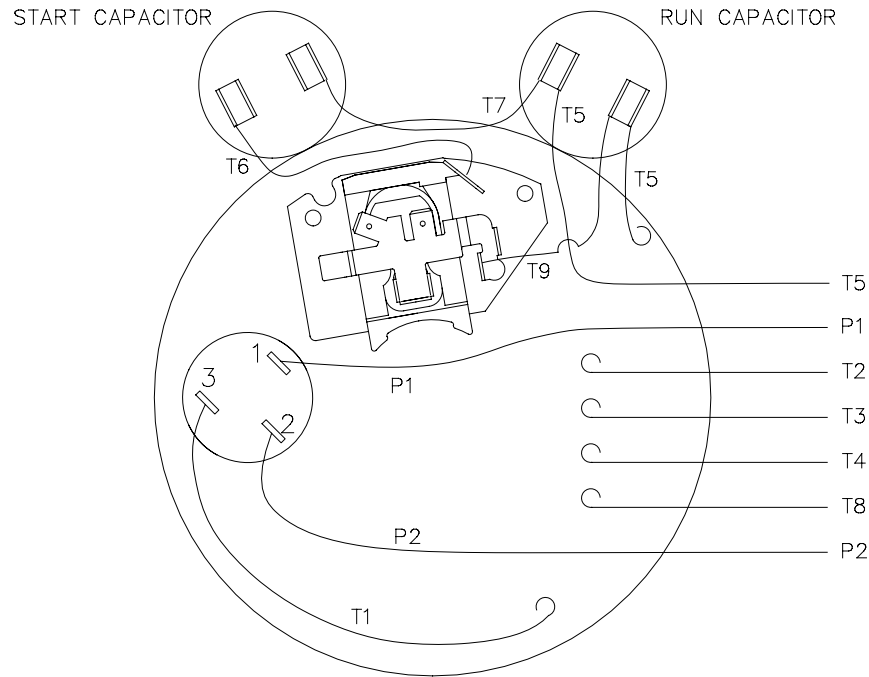
DASH NO.	"C"	"AD"
700	11.81	6.12
750	12.31	6.62

NO.	REVISION	BY & DATE	CHK	TOLERANCES UNLESS SPECIFIED		DRAWN PVR 12/19/14
				DEC.	INCHES	
				.X	±.1	CHK VS 12/19/14
				.XX	±.03	APPD
				.XXX	±.005	SCALE NTS
				.XXXX	±.0005	REF 031623
				ANG	±7'30"	FMF
THIS DRAWING IN DESIGN AND DETAIL IS OUR PROPERTY AND MUST NOT BE USED EXCEPT IN CONNECTION WITH OUR WORK ALL RIGHTS OF DESIGN AND INVENTION ARE RESERVED THIS IS AN ELECTRONICALLY GENERATED DOCUMENT - DO NOT SCALE THIS PRINT						PREV
				RFP	CAD FILE SS404125	SIZE DRAWING NO. PAGE 1 OF 1 REV.
				DIST WP		A SS404125

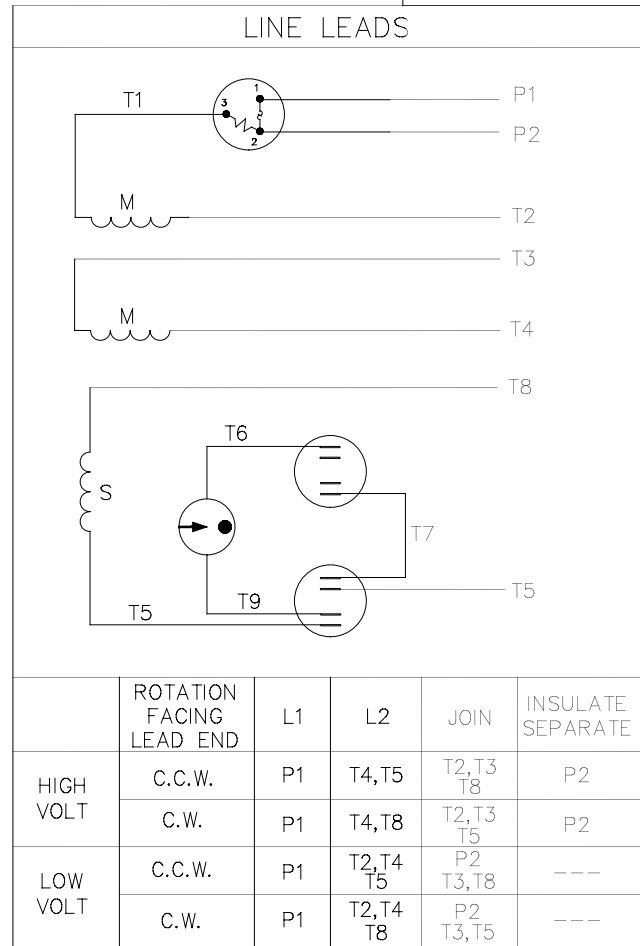


Regal Beloit America, Inc.

TITLE OUTLINE
S56 FRAME ROUND MOUNT - DRIP PROOF



VIEW FROM OUTSIDE OF MOTOR AT SWITCH END



				TOLERANCES UNLESS SPECIFIED		REGAL ™ Regal Beloit America, Inc.	DRAWN PG 7/2/02	
				DEC.	INCHES		CHK	
				.X	±.1		APPD	
				.XX	±.01		SCALE 5=8	
				.XXX	±.005	REF 005053.01		
A	CHANGED LOGO TO REGAL	PST	2/1/16	SKM	.XXXX	±.0005	TITLE EXTERNAL WIRING DIAGRAM TYPE "K" W/PROTECTOR	
NO.	REVISION	BY & DATE		CHK	ANG	±1/2°	MAT'L. DUAL VOLTAGE - DUAL ROTATION	
THIS DRAWING IN DESIGN AND DETAIL IS OUR PROPERTY AND MUST NOT BE USED EXCEPT IN CONNECTION WITH OUR WORK ALL RIGHTS OF DESIGN AND INVENTION ARE RESERVED THIS IS AN ELECTRONICALLY GENERATED DOCUMENT - DO NOT SCALE THIS PRINT				RFP	CAD FILE 00505340		SIZE	DRAWING NO.
				DIST			A	005053-40



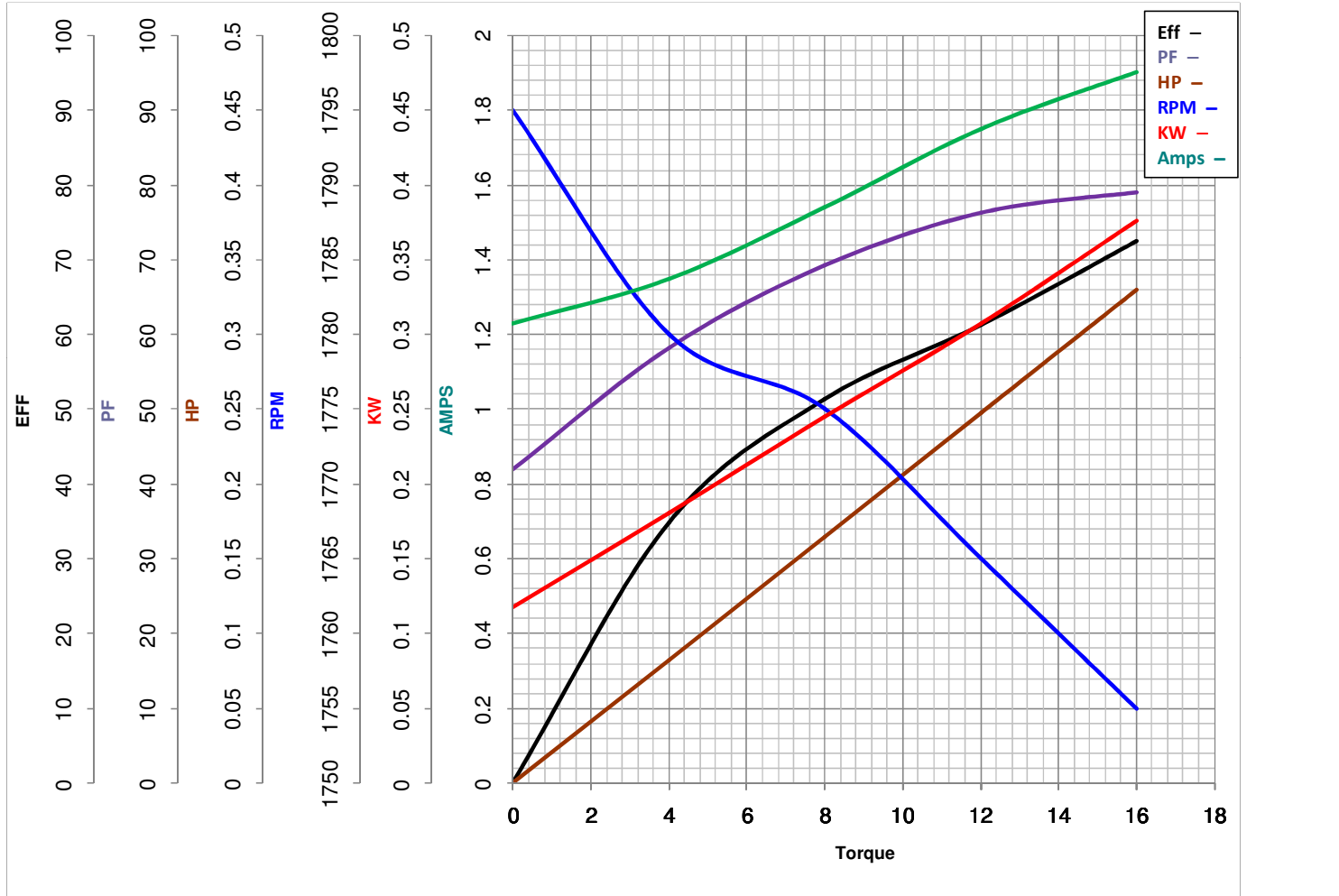
LEESON ELECTRIC CORPORATION
TYPICAL PERFORMANCE CURVE for AC MOTOR

Model No E100063.00

Curve at 230 Volts HP 0.34 PHASE 1
60 HZ
0.33 HP VOLTS 115/230

Catalog No E100063.00

HZ 60 RPM 1725



FL TORQUE	<u>16</u>	Oz.Ft	FL AMPS	<u>3.8/1.9</u>	
BD TORQUE	<u>43.5</u>	Oz.Ft	PU TORQUE	<u>58.0</u>	Oz.Ft
LR TORQUE	<u>58</u>	Oz.Ft	LR AMPS	<u>14.2</u>	
WINDING	BE484111-3		Date	<u>3/27/2018</u>	