

# PRODUCT INFORMATION PACKET



Model No: A4K34DC7A

Catalog No: E100054.00

1/2HP..3450RPM.48.DP.115/230V.1PH.60HZ.CONT.AUTOMATIC.40C.1.25SF.ROUND.GENERAL  
PURPOSE.

Open Drip Proof (ODP)



Regal and Leeson are trademarks of Regal Beloit Corporation or one of its affiliated companies.

©2018 Regal Beloit Corporation, All Rights Reserved. MC017097E





### Nameplate Specifications

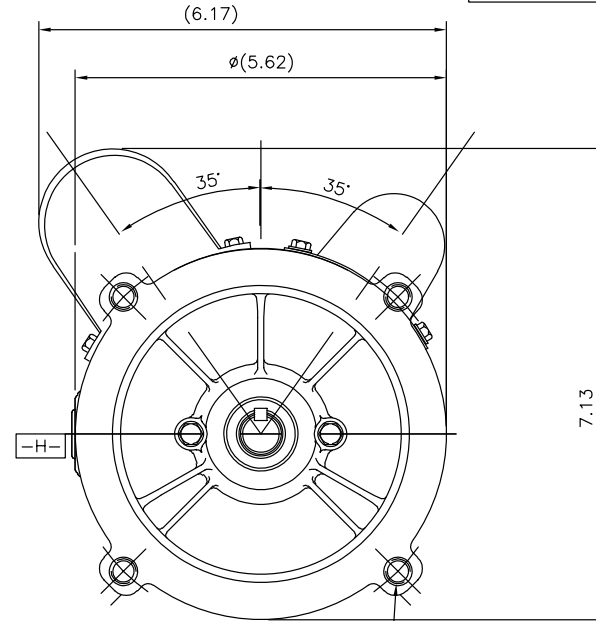
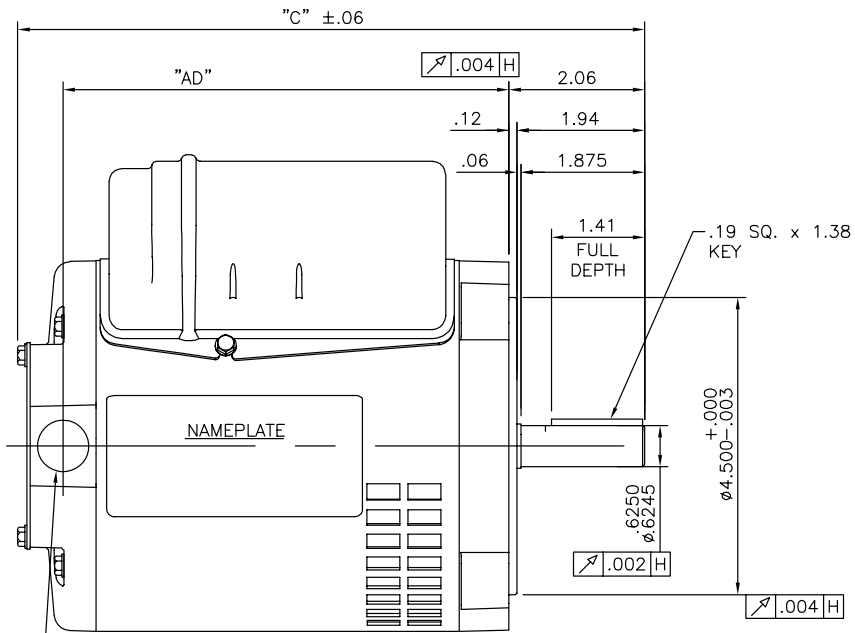
Output HP	<b>0.50 Hp</b>	Output KW	<b>0.37 kW</b>
Frequency	<b>60 Hz</b>	Voltage	<b>115/230 V</b>
Current	<b>4.4/2.2 A</b>	Speed	<b>3535 rpm</b>
Service Factor	<b>1.25</b>	Phase	<b>1</b>
Efficiency	<b>72.4 %</b>	Duty	<b>Continuous</b>
Insulation Class	<b>B</b>	Design Code	<b>N</b>
KVA Code	<b>L</b>	Frame	<b>S56C</b>
Enclosure	<b>Drip Proof</b>	Overload Protector	<b>Automatic</b>
Ambient Temperature	<b>40 °C</b>	Drive End Bearing Size	<b>6203</b>
Opp Drive End Bearing Size	<b>6203</b>	UL	<b>Recognized</b>
CSA	<b>Y</b>	CE	<b>Y</b>
IP Code	<b>22</b>		

### Technical Specifications

Electrical Type	<b>Capacitor Start Capacitor Run</b>	Starting Method	<b>Across The Line</b>
Poles	<b>2</b>	Rotation	<b>Selective Counterclockwise</b>
Mounting	<b>Round</b>	Motor Orientation	<b>HORIZONTAL</b>
Drive End Bearing	<b>BALL</b>	Opp Drive End Bearing	<b>BALL</b>
Frame Material	<b>Rolled Steel</b>	Shaft Type	<b>NEMA 56</b>
Overall Length	<b>10.99 in</b>	Frame Length	<b>7.00 in</b>
Shaft Diameter	<b>0.625 in</b>	Shaft Extension	<b>1.88 in</b>
Assembly/Box Mounting	<b>F1 ONLY</b>		
Outline Drawing	<b>A-SS404121-700</b>	Connection Diagram	<b>005053.40</b>

**This is an uncontrolled document once printed or downloaded and is subject to change without notice. Date Created: 10/15/2018**

SS404121



1/2-14 NPT  
CONDUIT HOLE  
(PLUGGED)

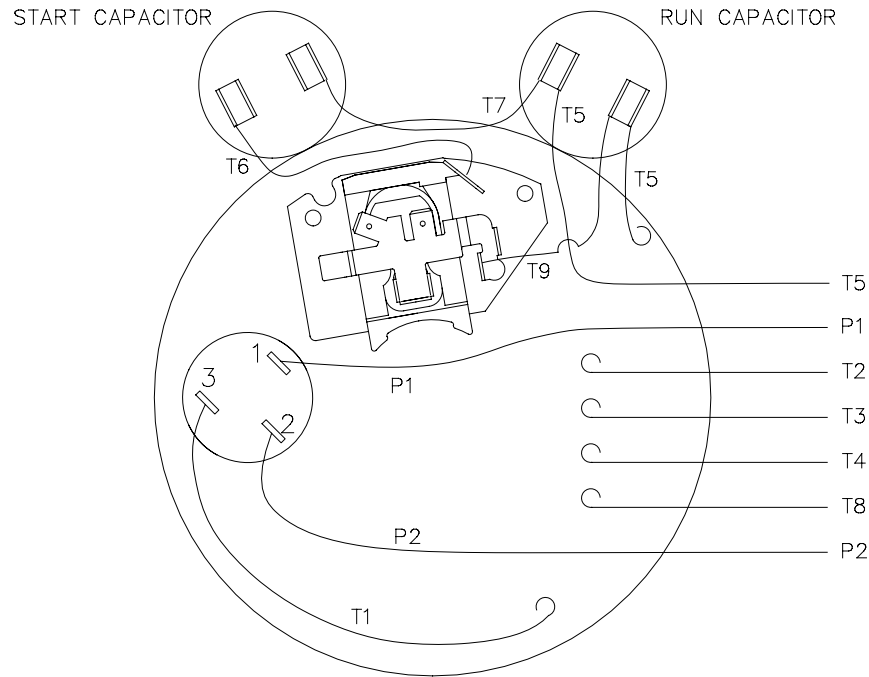
DASH NO.	"C"	"AD"
550	9.49	6.75
575	9.74	7.00
600	9.99	7.25
625	10.24	7.50
650	10.49	7.75
675	10.74	8.00
700	10.99	8.25
725	11.24	8.50
750	11.49	8.75

3/8-16 UNC 2B TAP x .56 DEEP  
(4) REQ'D. ON A Ø5.875 B.C.

		TOLERANCES UNLESS SPECIFIED		DRAWN SM 12/03/2014	
		DEC.	INCHES	CHK SM 12/03/2014	
		.X	±.1	APPD	
		.XX	±.03	SCALE NTS	
		.XXX	±.005	REF SS404120	
A	CREATED NEW DRAWING	SM	12/03/2014	SM	.XXXX ±.0005
NO.	REVISION	BY & DATE	CHK	ANG	±7'30"
THIS DRAWING IN DESIGN AND DETAIL IS OUR PROPERTY AND MUST NOT BE USED EXCEPT IN CONNECTION WITH OUR WORK ALL RIGHTS OF DESIGN AND INVENTION ARE RESERVED THIS IS AN ELECTRONICALLY GENERATED DOCUMENT - DO NOT SCALE THIS PRINT		RFP	CAD FILE SS404121	SIZE	DRAWING NO. PAGE 1 OF 1 REV.
		DIST	WP	A	SS404121 A

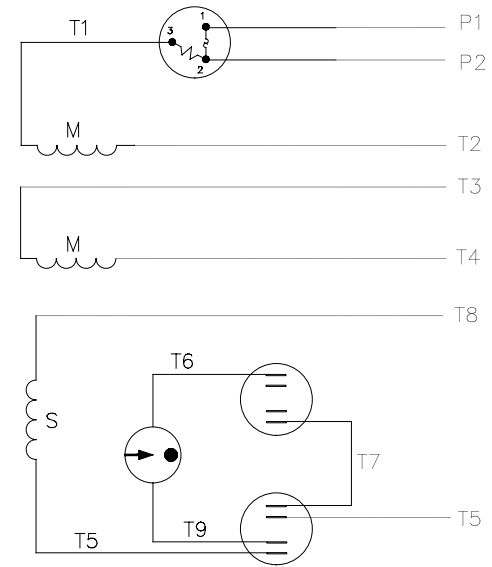


TITLE OUTLINE  
S56 FRAME ROUND MOUNT - DRIP PROOF



VIEW FROM OUTSIDE OF MOTOR AT SWITCH END

LINE LEADS



	ROTATION FACING LEAD END	L1	L2	JOIN	INSULATE SEPARATE
HIGH VOLT	C.C.W.	P1	T4, T5	T2, T3 T8	P2
	C.W.	P1	T4, T8	T2, T3 T5	P2
LOW VOLT	C.C.W.	P1	T2, T4 T5	P2 T3, T8	---
	C.W.	P1	T2, T4 T8	P2 T3, T5	---

		TOLERANCES UNLESS SPECIFIED		DRAWN PG 7/2/02	
		DEC.	INCHES	CHK	
		.X	±.1	APPD	
		.XX	±.01	SCALE 5=8	
		.XXX	±.005	REF 005053.01	
A	CHANGED LOGO TO REGAL	PST	2/1/16	TITLE EXTERNAL WIRING DIAGRAM TYPE "K" W/PROTECTOR	
NO.	REVISION	BY & DATE	CHK ANG	MAT'L. DUAL VOLTAGE - DUAL ROTATION	
			RFP	FINISH	
			DIST	CAD FILE 00505340	
				SIZE A	DRAWING NO. 005053-40
					REV. A



THIS DRAWING IN DESIGN AND DETAIL IS OUR PROPERTY AND MUST NOT BE USED EXCEPT IN CONNECTION WITH OUR WORK ALL RIGHTS OF DESIGN AND INVENTION ARE RESERVED THIS IS AN ELECTRONICALLY GENERATED DOCUMENT - DO NOT SCALE THIS PRINT

