

# PRODUCT INFORMATION PACKET



Model No: M4K34DH13A

Catalog No: E100053.00

..3/4HP..3450RPM.S56.DP.115/230V.1PH.60HZ.CONT.40C.1.25SF.RIGID....GENERAL  
PURPOSE.MANUAL.....

Open Drip Proof (ODP)



Regal and Leeson are trademarks of Regal Beloit Corporation or one of its affiliated companies.

©2018 Regal Beloit Corporation, All Rights Reserved. MC017097E





### Nameplate Specifications

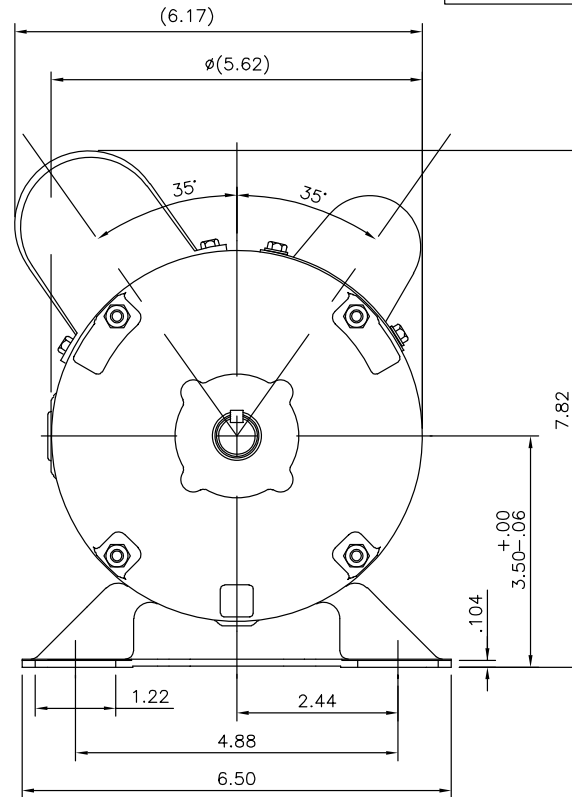
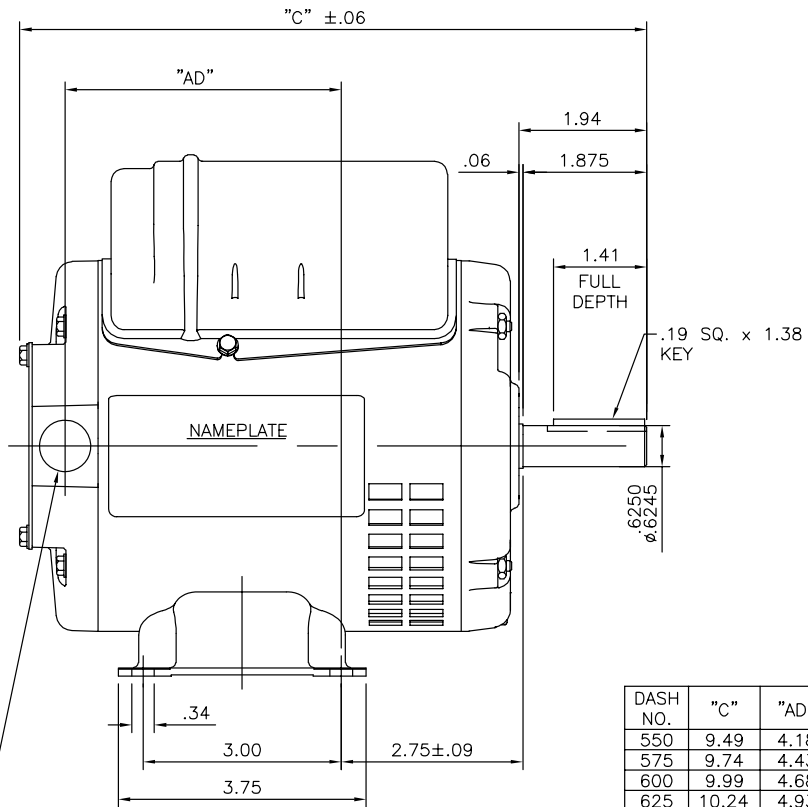
Output HP	0.75 Hp	Output KW	0.56 kW
Frequency	60 Hz	Voltage	115/230 V
Current	7.2/3.6 A	Speed	3515 rpm
Service Factor	1.25	Phase	1
Efficiency	76.2 %	Duty	Continuous
Insulation Class	F	Design Code	NO DESIGN CODE
KVA Code	K	Frame	S56
Enclosure	Drip Proof	Overload Protector	Manual
Ambient Temperature	40 °C	Drive End Bearing Size	6203
Opp Drive End Bearing Size	6203	UL	Recognized ( Not Protector)
CSA	Y	CE	Y
IP Code	12		

### Technical Specifications

Electrical Type	Capacitor Start Capacitor Run	Starting Method	Across The Line
Poles	2	Rotation	Selective Counterclockwise
Mounting	Rigid base	Motor Orientation	HORIZONTAL
Drive End Bearing	BALL	Opp Drive End Bearing	BALL
Frame Material	Rolled Steel	Shaft Type	NEMA 56
Overall Length	11.49 in	Frame Length	7.50 in
Shaft Diameter	0.625 in	Shaft Extension	1.88 in
Assembly/Box Mounting	F1 ONLY		
Outline Drawing	A-SS404118-750	Connection Diagram	005053.40

This is an uncontrolled document once printed or downloaded and is subject to change without notice. Date Created: 10/15/2018

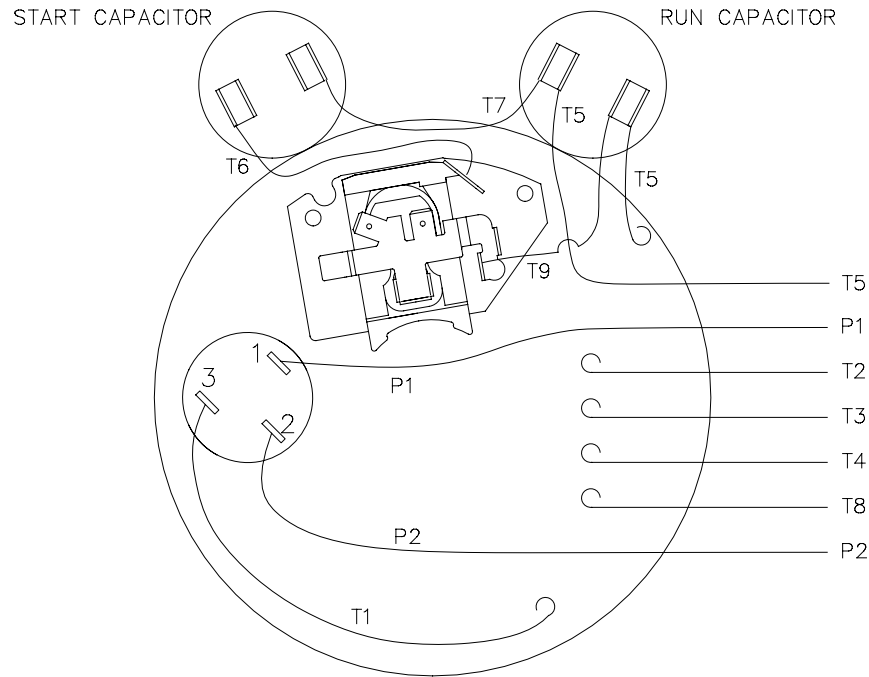
SS404118



DASH NO.	"C"	"AD"	ORACLE PART REV.
550	9.49	4.18	000
575	9.74	4.43	000
600	9.99	4.68	000
625	10.24	4.93	000
650	10.49	5.18	000
675	10.74	5.43	000
700	10.99	5.68	000
725	11.24	5.93	000
750	11.49	6.18	000
800	11.99	6.68	000

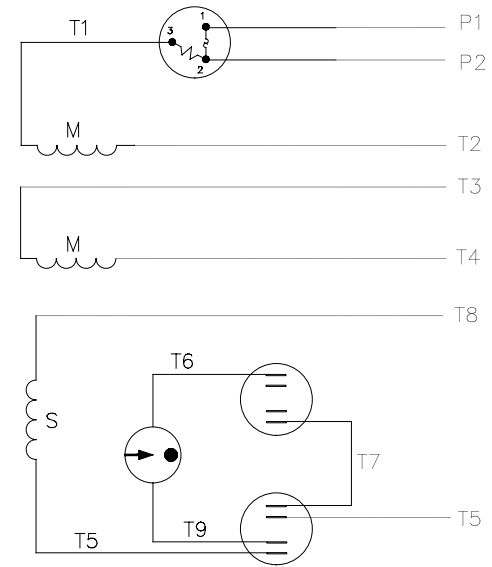
1/2-14 NPT CONDUIT HOLE (PLUGGED)

		TOLERANCES UNLESS SPECIFIED		<b>REGAL</b> ™ Regal Beloit America, Inc.	DRAWN PVR 11/28/14
		DEC.	INCHES		CHK VS 11/28/14
			.X ±.1		APPD
			.XX ±.03	TITLE OUTLINE	SCALE NTS
B	UPDATED DASH VALUES	PST 03/09/2015	VS .XXX ±.005	S56 FRAME RIGID MOUNT – DRIP PROOF	REF 031619
A	ADDED DASH VALUES PER ECO-0066022	UD 12/17/14	ST .XXXX ±.0005	MAT'L.	FMF
NO.	REVISION	BY & DATE	CHK ANG ±7'30"	FINISH	PREV
THIS DRAWING IN DESIGN AND DETAIL IS OUR PROPERTY AND MUST NOT BE USED EXCEPT IN CONNECTION WITH OUR WORK ALL RIGHTS OF DESIGN AND INVENTION ARE RESERVED THIS IS AN ELECTRONICALLY GENERATED DOCUMENT – DO NOT SCALE THIS PRINT				RFP	CAD FILE SS404118
				DIST WP	SIZE A
				DRAWING NO. SS404118	PAGE 1 OF 1
				REV. B	



VIEW FROM OUTSIDE OF MOTOR AT SWITCH END

LINE LEADS



	ROTATION FACING LEAD END	L1	L2	JOIN	INSULATE SEPARATE
HIGH VOLT	C.C.W.	P1	T4, T5	T2, T3 T8	P2
	C.W.	P1	T4, T8	T2, T3 T5	P2
LOW VOLT	C.C.W.	P1	T2, T4 T5	P2 T3, T8	---
	C.W.	P1	T2, T4 T8	P2 T3, T5	---

				TOLERANCES UNLESS SPECIFIED		DRAWN PG 7/2/02			
				DEC.	INCHES	CHK			
				.X	±.1	APPD			
				.XX	±.01	SCALE 5=8			
				.XXX	±.005	REF 005053.01			
A	CHANGED LOGO TO REGAL	PST	2/1/16	SKM	.XXXX ±.0005	MAT'L. DUAL VOLTAGE - DUAL ROTATION			
NO.	REVISION	BY & DATE		CHK	ANG ±1/2°	FINISH			
THIS DRAWING IN DESIGN AND DETAIL IS OUR PROPERTY AND MUST NOT BE USED EXCEPT IN CONNECTION WITH OUR WORK ALL RIGHTS OF DESIGN AND INVENTION ARE RESERVED THIS IS AN ELECTRONICALLY GENERATED DOCUMENT - DO NOT SCALE THIS PRINT				RFP	CAD FILE	00505340	SIZE A	DRAWING NO. 005053-40	REV. A
				DIST					





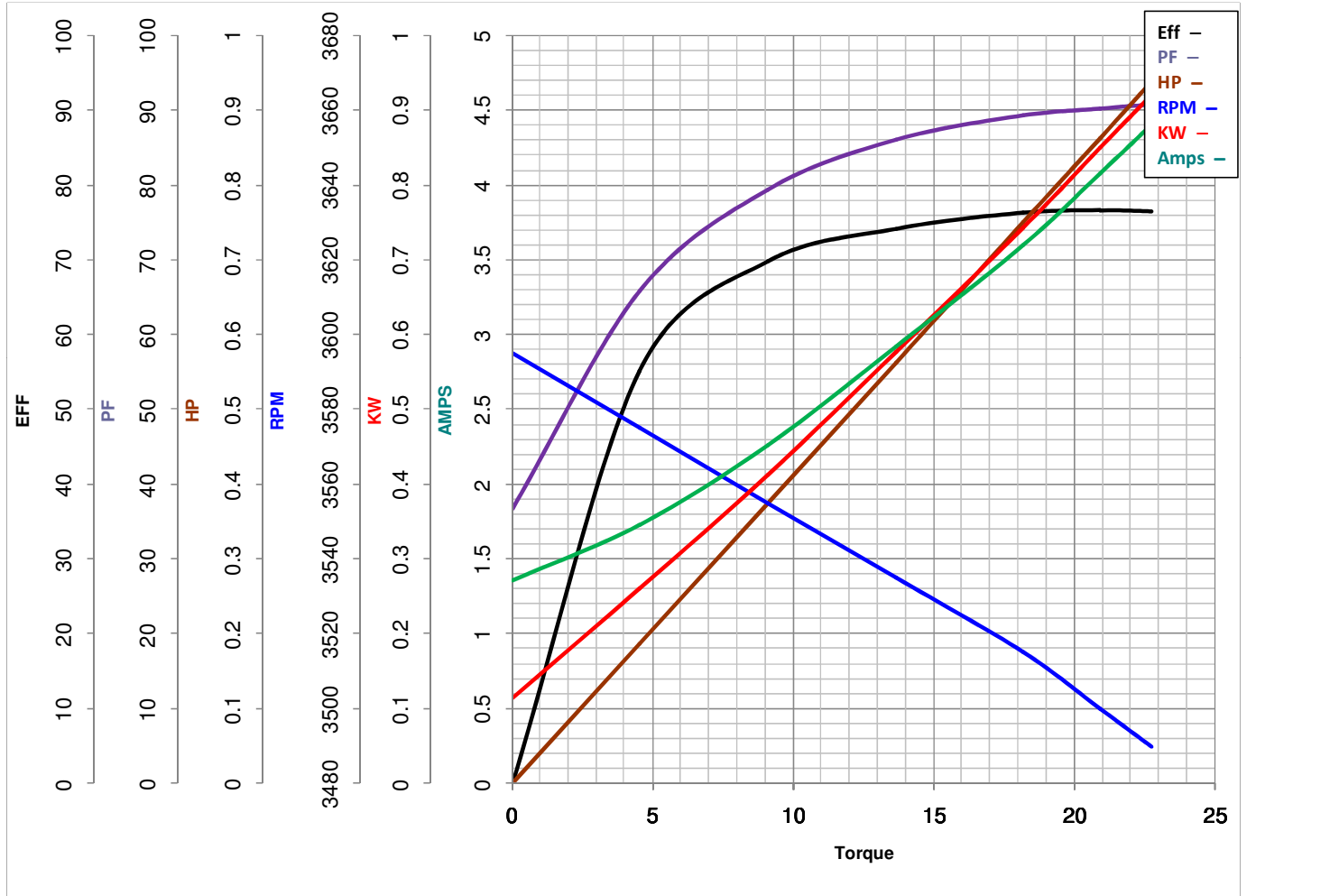
**LEESON ELECTRIC CORPORATION**  
 TYPICAL PERFORMANCE CURVE for AC MOTOR

Model No E100053.00

Curve at 230 Volts      HP 0.76      PHASE 1  
60 HZ  
0.75 HP      VOLTS 115/230

Catalog No E100053.00

HZ 60      RPM 3515



<b>FL TORQUE</b>	<u>18.2</u> Oz.Ft	<b>FL AMPS</b>	<u>7.2/3.6</u>
<b>BD TORQUE</b>	<u>51.0</u> Oz.Ft	<b>PU TORQUE</b>	<u>53.1</u> Oz.Ft
<b>LR TORQUE</b>	<u>54.12</u> Oz.Ft	<b>LR AMPS</b>	<u>28.77</u>
<b>WINDING</b>	BE48278-3	<b>Date</b>	3/21/2018