

# PRODUCT INFORMATION PACKET



Model No: A4K17DC22A  
Catalog No: E100020.00  
..1/2HP..1725RPM.S56.DP.115/230V.1PH.60HZ.CONT.40C.1.25SF.ROUND....GENERAL  
PURPOSE.AUTOMATIC.....  
Open Drip Proof (ODP)



Regal and Leeson are trademarks of Regal Beloit Corporation or one of its affiliated companies.  
©2018 Regal Beloit Corporation, All Rights Reserved. MC017097E





### Nameplate Specifications

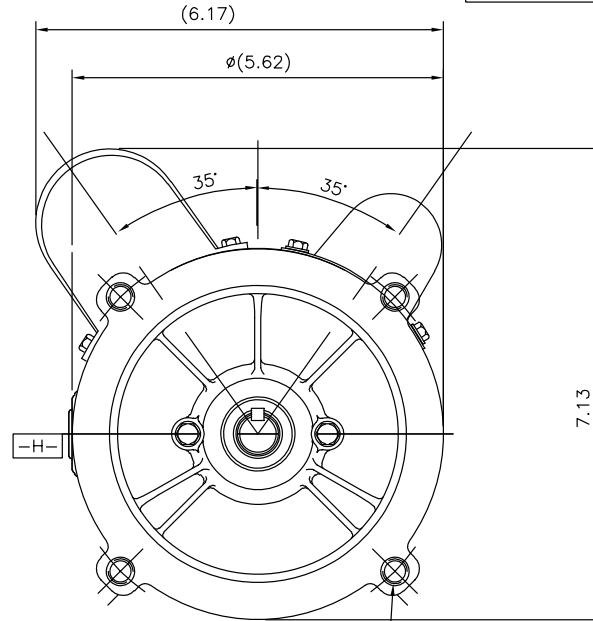
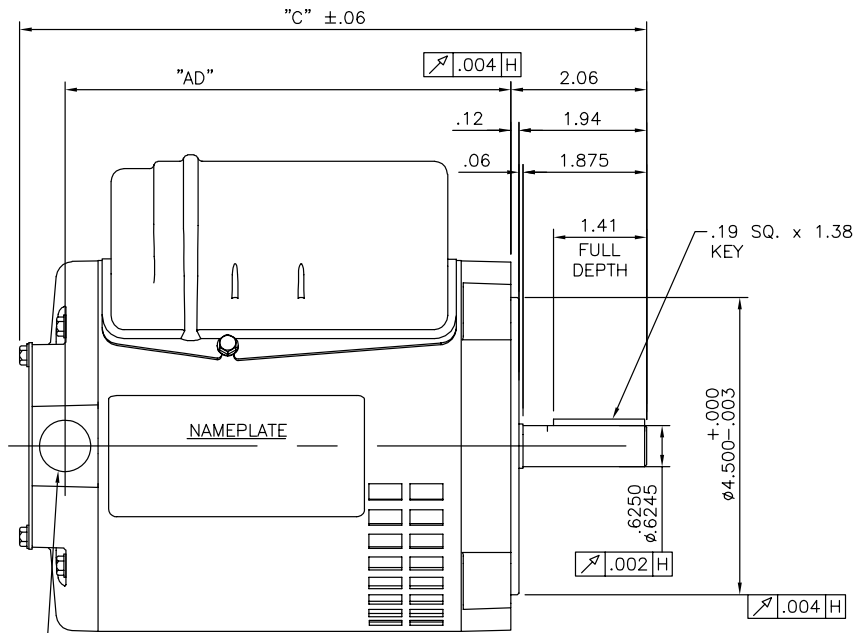
Output HP	<b>0.50 Hp</b>	Output KW	<b>0.37 kW</b>
Frequency	<b>60 Hz</b>	Voltage	<b>115/230 V</b>
Current	<b>4.6/2.3 A</b>	Speed	<b>1745 rpm</b>
Service Factor	<b>1.25</b>	Phase	<b>1</b>
Efficiency	<b>76.2 %</b>	Duty	<b>Continuous</b>
Insulation Class	<b>B</b>	Design Code	<b>N</b>
KVA Code	<b>K</b>	Frame	<b>S56C</b>
Enclosure	<b>Drip Proof</b>	Overload Protector	<b>Automatic</b>
Ambient Temperature	<b>40 °C</b>	Drive End Bearing Size	<b>6203</b>
Opp Drive End Bearing Size	<b>6203</b>	UL	<b>Recognized</b>
CSA	<b>Y</b>	CE	<b>Y</b>
IP Code	<b>22</b>		

### Technical Specifications

Electrical Type	<b>Capacitor Start Capacitor Run</b>	Starting Method	<b>Across The Line</b>
Poles	<b>4</b>	Rotation	<b>Selective Counterclockwise</b>
Mounting	<b>Round</b>	Motor Orientation	<b>HORIZONTAL</b>
Drive End Bearing	<b>BALL</b>	Opp Drive End Bearing	<b>BALL</b>
Frame Material	<b>Rolled Steel</b>	Shaft Type	<b>NEMA 56</b>
Overall Length	<b>11.49 in</b>	Frame Length	<b>7.50 in</b>
Shaft Diameter	<b>0.625 in</b>	Shaft Extension	<b>1.88 in</b>
Assembly/Box Mounting	<b>F1 ONLY</b>		
Outline Drawing	<b>SS404121-750</b>	Connection Diagram	<b>005053.40</b>

**This is an uncontrolled document once printed or downloaded and is subject to change without notice. Date Created: 10/15/2018**

SS404121

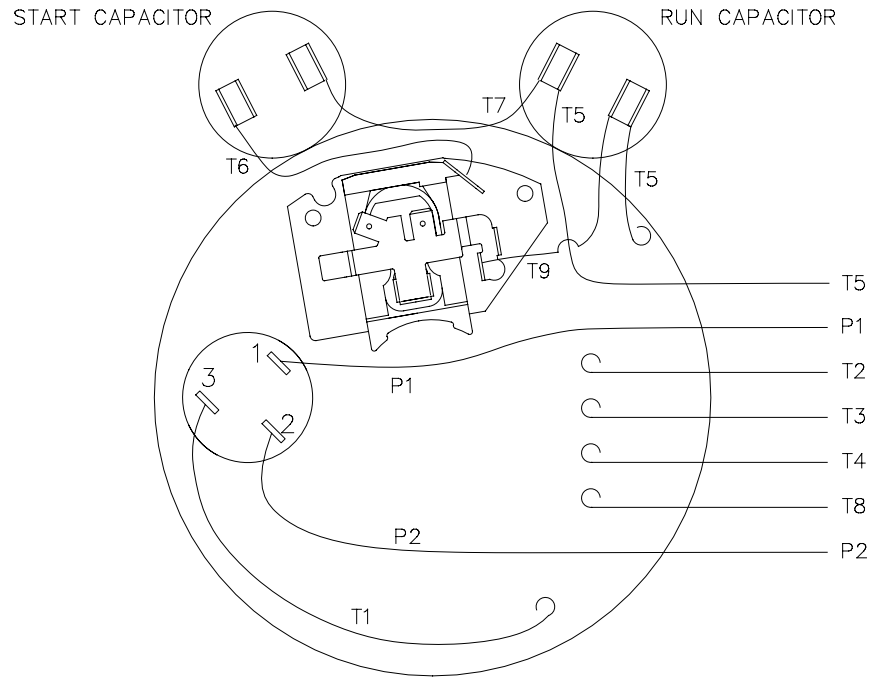


1/2-14 NPT  
CONDUIT HOLE  
(PLUGGED)

DASH NO.	"C"	"AD"
550	9.49	6.75
575	9.74	7.00
600	9.99	7.25
625	10.24	7.50
650	10.49	7.75
675	10.74	8.00
700	10.99	8.25
725	11.24	8.50
750	11.49	8.75

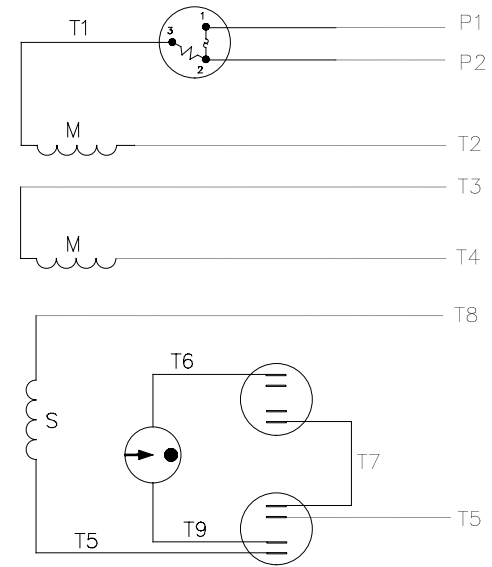
3/8-16 UNC 2B TAP x .56 DEEP  
(4) REQ'D. ON A Ø5.875 B.C.

		TOLERANCES UNLESS SPECIFIED		<b>REGAL</b> ™ Regal Beloit America, Inc.	DRAWN SM 12/03/2014
		DEC.	INCHES		CHK SM 12/03/2014
			.X ±.1	TITLE OUTLINE	APPD
			.XX ±.03	S56 FRAME ROUND MOUNT – DRIP PROOF	SCALE NTS
			.XXX ±.005	MAT'L.	REF SS404120
A	CREATED NEW DRAWING	SM 12/03/2014	SM .XXXX ±.0005	FINISH	FMF
NO.	REVISION	BY & DATE	CHK ANG ±7'30"		PREV
THIS DRAWING IN DESIGN AND DETAIL IS OUR PROPERTY AND MUST NOT BE USED EXCEPT IN CONNECTION WITH OUR WORK ALL RIGHTS OF DESIGN AND INVENTION ARE RESERVED THIS IS AN ELECTRONICALLY GENERATED DOCUMENT – DO NOT SCALE THIS PRINT				RFP	CAD FILE SS404121
				DIST WP	SIZE A
				DRAWING NO. SS404121	PAGE 1 OF 1
				REV. A	




VIEW FROM OUTSIDE OF MOTOR AT SWITCH END

LINE LEADS



	ROTATION FACING LEAD END	L1	L2	JOIN	INSULATE SEPARATE
HIGH VOLT	C.C.W.	P1	T4, T5	T2, T3 T8	P2
	C.W.	P1	T4, T8	T2, T3 T5	P2
LOW VOLT	C.C.W.	P1	T2, T4 T5	P2 T3, T8	---
	C.W.	P1	T2, T4 T8	P2 T3, T5	---

				TOLERANCES UNLESS SPECIFIED		 <b>Regal Beloit America, Inc.</b>	DRAWN PG 7/2/02		
				DEC.	INCHES		CHK		
				.X	±.1		APPD		
				.XX	±.01		SCALE 5=8		
				.XXX	±.005	REF 005053.01			
A	CHANGED LOGO TO REGAL	PST	2/1/16	SKM	.XXXX	±.0005	TITLE EXTERNAL WIRING DIAGRAM TYPE "K" W/PROTECTOR		
NO.	REVISION	BY & DATE	CHK	ANG	±1/2"	MAT'L. DUAL VOLTAGE - DUAL ROTATION			
THIS DRAWING IN DESIGN AND DETAIL IS OUR PROPERTY AND MUST NOT BE USED EXCEPT IN CONNECTION WITH OUR WORK ALL RIGHTS OF DESIGN AND INVENTION ARE RESERVED THIS IS AN ELECTRONICALLY GENERATED DOCUMENT - DO NOT SCALE THIS PRINT				RFP	CAD FILE 00505340		SIZE A	DRAWING NO. 005053-40	REV. A
				DIST					



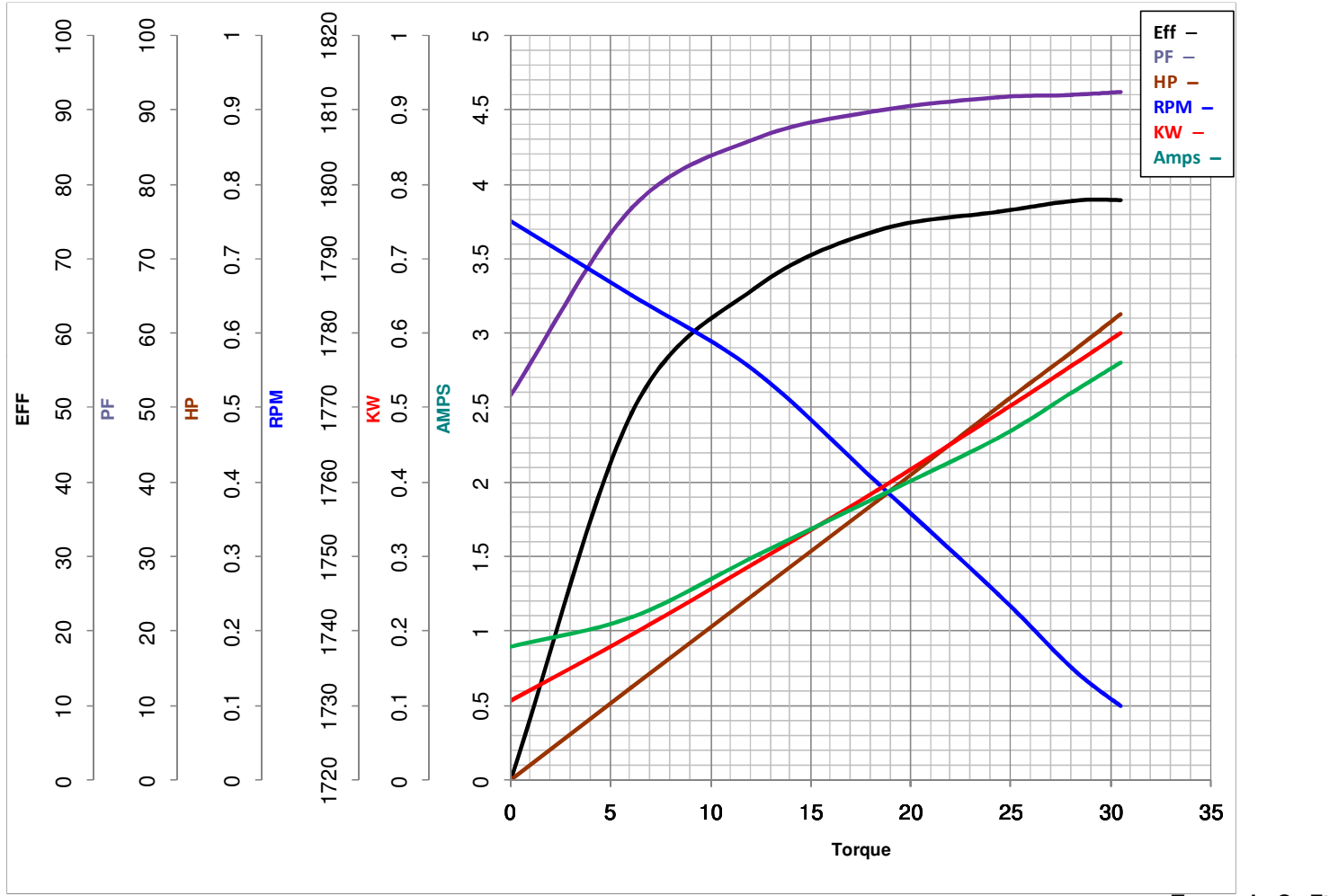
**LEESON ELECTRIC CORPORATION**  
 TYPICAL PERFORMANCE CURVE for AC MOTOR

Model No E100020.00

Catalog No E100020.00

Curve at 230 Volts      HP 0.50      PHASE 1  
60 HZ  
0.5 HP      VOLTS 115/230

HZ 60      RPM 1745



FL TORQUE	<u>24.4</u> Oz.Ft	FL AMPS	<u>4.6/2.3</u>
BD TORQUE	<u>60.4</u> Oz.Ft	PU TORQUE	<u>75.4</u> Oz.Ft
LR TORQUE	<u>75.6</u> Oz.Ft	LR AMPS	<u>17.7</u>
WINDING	BE484110-3	Date	4/19/2018