

PRODUCT INFORMATION PACKET



Model No: M4K17DC23A
 Catalog No: E100019.00
 ..1/2HP..1725RPM.S56.DP.115/230V.1PH.60HZ.CONT.40C.1.25SF.ROUND.....GENERAL
 PURPOSE.MANUAL.....
 Open Drip Proof (ODP)



Regal and Leeson are trademarks of Regal Beloit Corporation or one of its affiliated companies.

©2018 Regal Beloit Corporation, All Rights Reserved. MC017097E





Nameplate Specifications

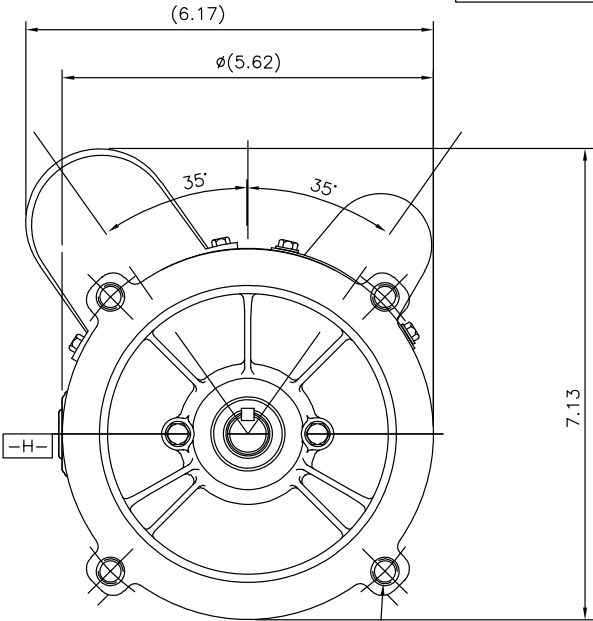
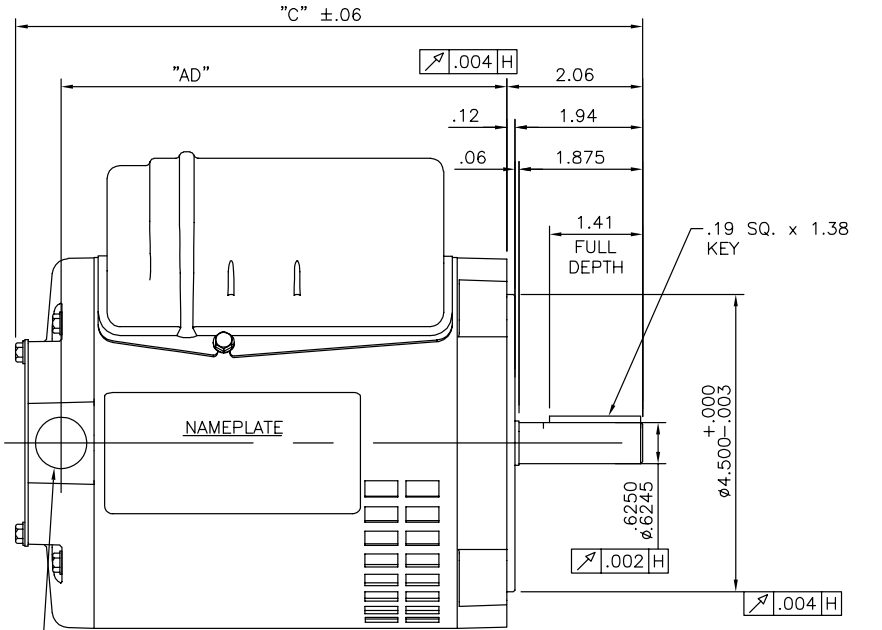
Output HP	0.50 Hp	Output KW	0.37 kW
Frequency	60 Hz	Voltage	115/230 V
Current	4.6/2.3 A	Speed	1745 rpm
Service Factor	1.25	Phase	1
Efficiency	76.2 %	Duty	Continuous
Insulation Class	B	Design Code	N
KVA Code	K	Frame	S56C
Enclosure	Drip Proof	Overload Protector	Manual
Ambient Temperature	40 °C	Drive End Bearing Size	6203
Opp Drive End Bearing Size	6203	UL	Recognized
CSA	Y	CE	Y
IP Code	12		

Technical Specifications

Electrical Type	Capacitor Start Capacitor Run	Starting Method	Across The Line
Poles	4	Rotation	Selective Counterclockwise
Mounting	Round	Motor Orientation	HORIZONTAL
Drive End Bearing	BALL	Opp Drive End Bearing	BALL
Frame Material	Rolled Steel	Shaft Type	NEMA 56
Overall Length	11.49 in	Frame Length	7.50 in
Shaft Diameter	0.625 in	Shaft Extension	1.88 in
Assembly/Box Mounting	F1 ONLY		
Outline Drawing	A-SS404121-750	Connection Diagram	005053.40

This is an uncontrolled document once printed or downloaded and is subject to change without notice. Date Created: 10/15/2018

SS404121



1/2-14 NPT CONDUIT HOLE (PLUGGED)

DASH NO.	"C"	"AD"
550	9.49	6.75
575	9.74	7.00
600	9.99	7.25
625	10.24	7.50
650	10.49	7.75
675	10.74	8.00
700	10.99	8.25
725	11.24	8.50
750	11.49	8.75

REGAL™ Regal Beloit America, Inc.

DRAWN SM 12/03/2014
 CHK SM 12/03/2014
 APPD
 SCALE NTS
 REF SS404120

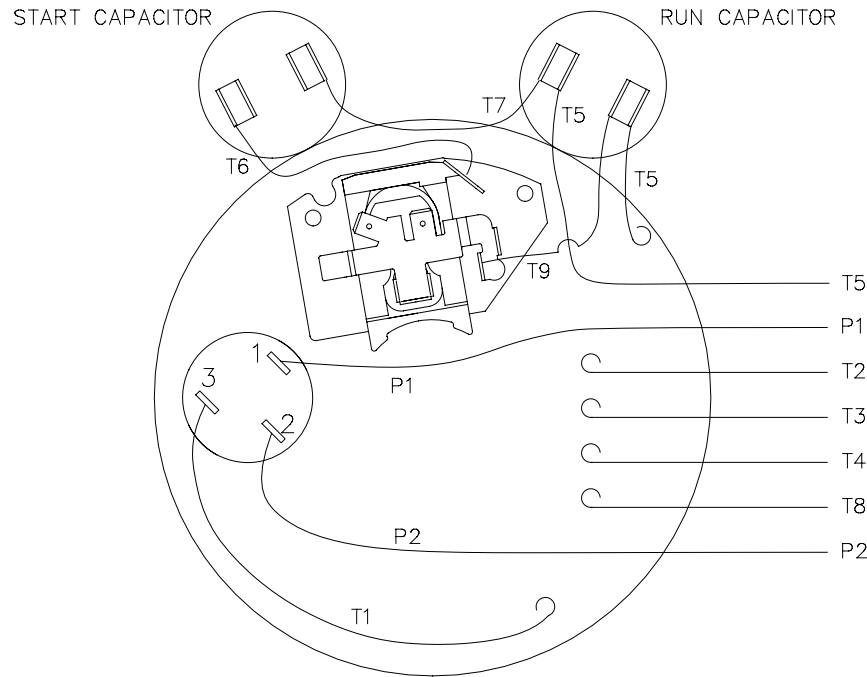
		TOLERANCES UNLESS SPECIFIED	
		DEC.	INCHES
		.X	±.1
		.XX	±.03
		.XXX	±.005
A	CREATED NEW DRAWING	SM	12/03/2014
		SM	.XXXX ±.0005
NO.	REVISION	BY & DATE	CHK ANG ±7'30"

TITLE OUTLINE S56 FRAME ROUND MOUNT – DRIP PROOF	MAT'L.	FINISH	SIZE A	DRAWING NO. SS404121	PAGE 1 OF 1	REV. A
---	--------	--------	-----------	-------------------------	----------------	-----------

THIS DRAWING IN DESIGN AND DETAIL IS OUR PROPERTY AND MUST NOT BE USED EXCEPT IN CONNECTION WITH OUR WORK ALL RIGHTS OF DESIGN AND INVENTION ARE RESERVED THIS IS AN ELECTRONICALLY GENERATED DOCUMENT – DO NOT SCALE THIS PRINT

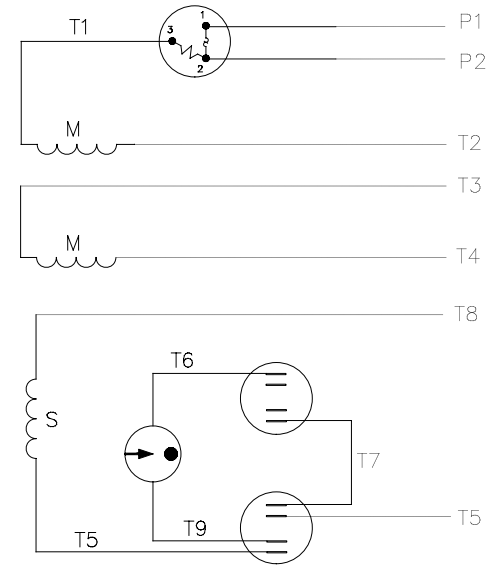
RFP
DIST WP

CAD FILE SS404121



VIEW FROM OUTSIDE OF MOTOR AT SWITCH END

LINE LEADS



	ROTATION FACING LEAD END	L1	L2	JOIN	INSULATE SEPARATE
HIGH VOLT	C.C.W.	P1	T4, T5	T2, T3 T8	P2
	C.W.	P1	T4, T8	T2, T3 T5	P2
LOW VOLT	C.C.W.	P1	T2, T4 T5	P2 T3, T8	---
	C.W.	P1	T2, T4 T8	P2 T3, T5	---

				TOLERANCES UNLESS SPECIFIED		Regal Beloit America, Inc. TITLE EXTERNAL WIRING DIAGRAM TYPE "K" W/PROTECTOR MAT'L. DUAL VOLTAGE – DUAL ROTATION FINISH			DRAWN PG 7/2/02	
		DEC.	INCHES						CHK	
		.X	±.1						APPD	
		.XX	±.01						SCALE 5=8	
		.XXX	±.005			REF 005053.01				
A	CHANGED LOGO TO REGAL	PST	2/1/16	SKM	.XXXX	±.0005	FMF 102827.00			
NO.	REVISION	BY & DATE	CHK	ANG	±1/2°	PREV				
THIS DRAWING IN DESIGN AND DETAIL IS OUR PROPERTY AND MUST NOT BE USED EXCEPT IN CONNECTION WITH OUR WORK ALL RIGHTS OF DESIGN AND INVENTION ARE RESERVED THIS IS AN ELECTRONICALLY GENERATED DOCUMENT – DO NOT SCALE THIS PRINT					RFP	CAD FILE 00505340			SIZE DRAWING NO.	REV.
					DIST				A 005053-40	A



Model No E100019.00

Catalog No E100019.00

LEESON ELECTRIC CORPORATION
TYPICAL PERFORMANCE CURVE for AC MOTOR

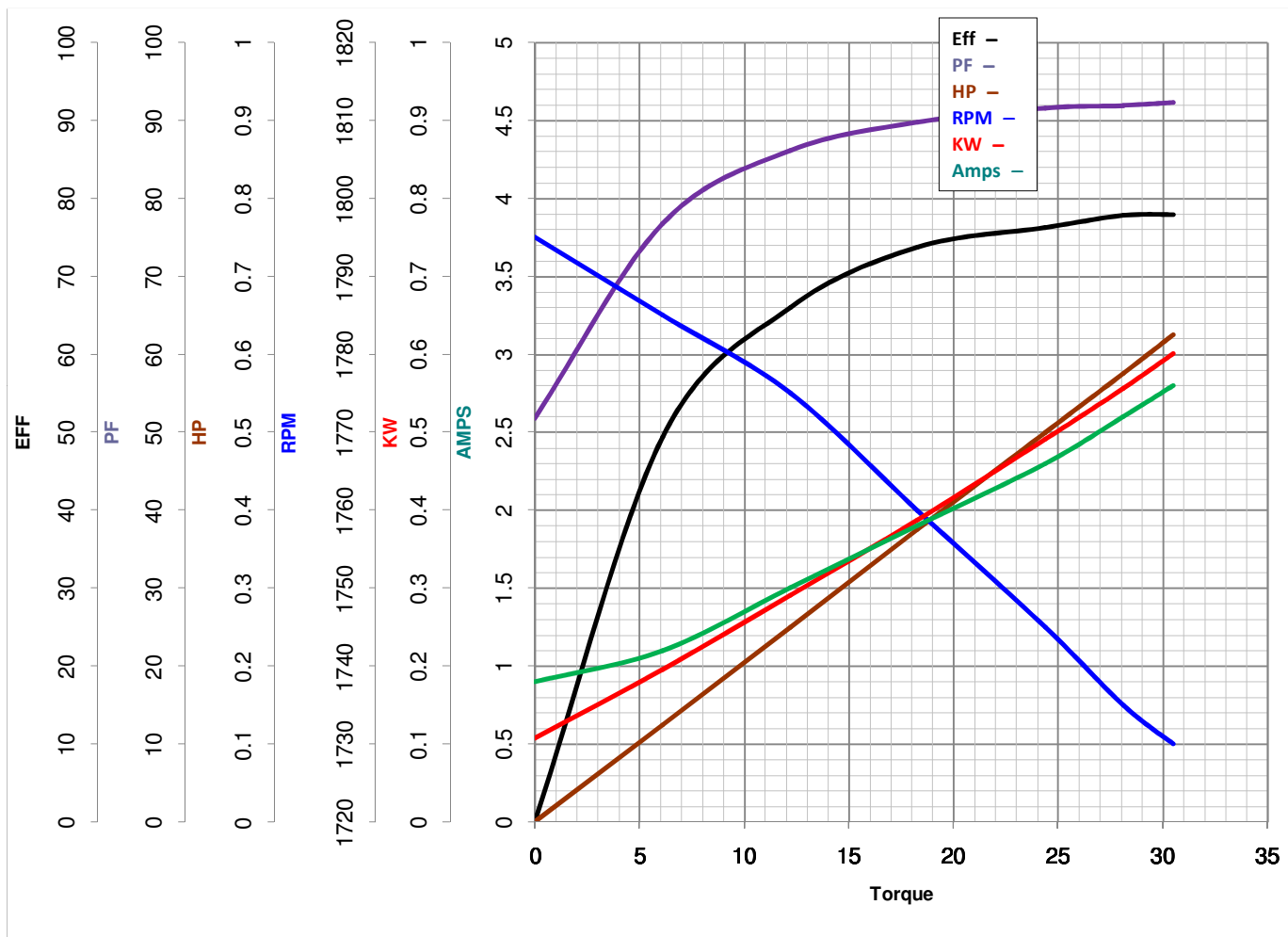
Curve at 230 Volts HP 0.50 PHASE 1

60 HZ
0.5 HP

VOLTS 115/230

HZ 60

RPM 1745



Torque in Oz.Ft

FL TORQUE 24.4 Oz.Ft
BD TORQUE 60.4 Oz.Ft
LR TORQUE 75.6 Oz.Ft

FL AMPS 4.6/2.3
PU TORQUE 75.4 Oz.Ft
LR AMPS 17.7

WINDING BE484110-3

Date 4/23/2018