

PRODUCT INFORMATION PACKET



Model No: A4K17DJ13A

Catalog No: E100011.00

1/2HP..1725RPM.S56.DP.115/230V.1PH.60HZ.CONT.40C.1.25SF.RESILIENT BASE....AUTOMATIC.....

Open Drip Proof (ODP)



Regal and Leeson are trademarks of Regal Beloit Corporation or one of its affiliated companies.

©2018 Regal Beloit Corporation, All Rights Reserved. MC017097E





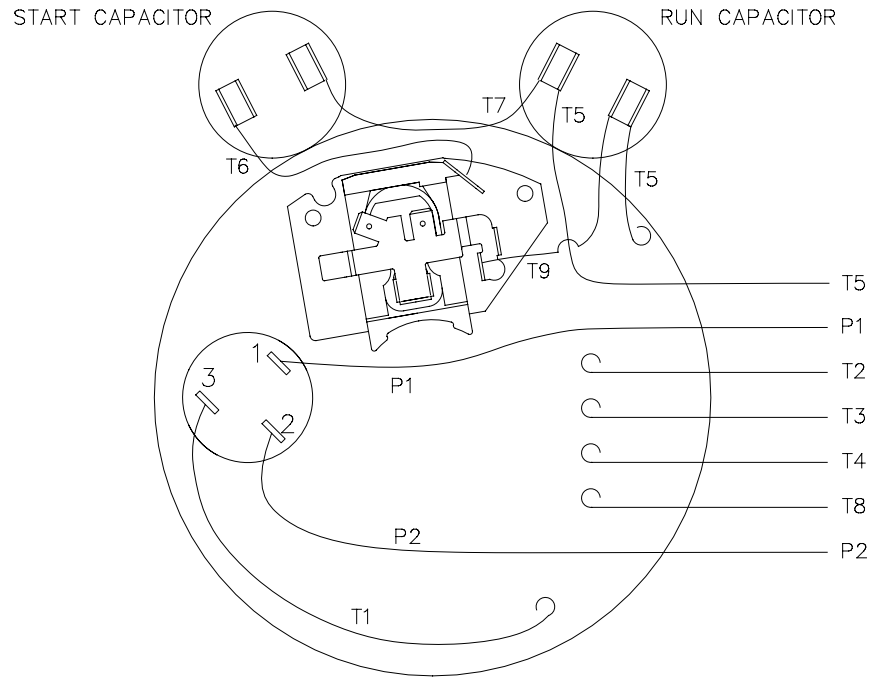
Nameplate Specifications

Output HP	0.50 Hp	Output KW	0.37 kW
Frequency	60 Hz	Voltage	115/230 V
Current	4.6/2.3 A	Speed	1745 rpm
Service Factor	1.25	Phase	1
Efficiency	76.2 %	Duty	Continuous
Insulation Class	B	Design Code	N
KVA Code	K	Frame	S56
Enclosure	Drip Proof	Overload Protector	Automatic
Ambient Temperature	40 °C	Drive End Bearing Size	6203
Opp Drive End Bearing Size	6203	UL	Recognized
CSA	Y	CE	Y
IP Code	12		

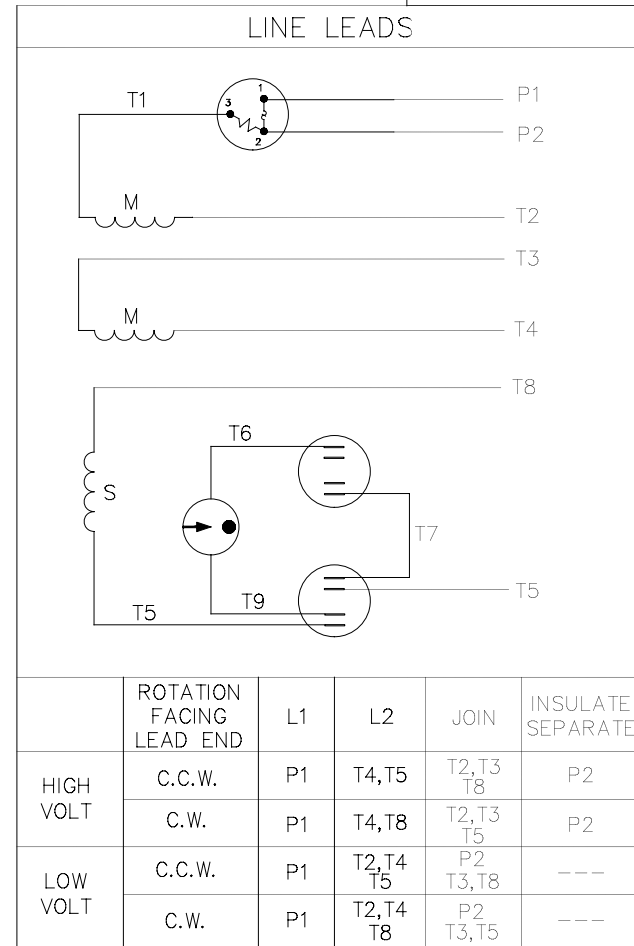
Technical Specifications

Electrical Type	Capacitor Start Capacitor Run	Starting Method	Across The Line
Poles	4	Rotation	Selective Counterclockwise
Mounting	Resilient Base	Motor Orientation	HORIZONTAL
Drive End Bearing	BALL	Opp Drive End Bearing	BALL
Frame Material	Rolled Steel	Shaft Type	NEMA 56
Overall Length	12.31 in	Frame Length	7.50 in
Shaft Diameter	0.625 in	Shaft Extension	1.88 in
Assembly/Box Mounting	F1 ONLY		
Outline Drawing	SS404125-750	Connection Diagram	005053.40

This is an uncontrolled document once printed or downloaded and is subject to change without notice. Date Created: 10/15/2018



VIEW FROM OUTSIDE OF MOTOR AT SWITCH END



				TOLERANCES UNLESS SPECIFIED		REGAL ™ Regal Beloit America, Inc.	DRAWN PG 7/2/02		
				DEC.	INCHES		CHK		
				.X	±.1		APPD		
				.XX	±.01		SCALE 5=8		
				.XXX	±.005	TITLE		REF 005053.01	
A	CHANGED LOGO TO REGAL	PST	2/1/16	SKM	.XXXX	±.0005	MAT'L. DUAL VOLTAGE - DUAL ROTATION		
NO.	REVISION	BY & DATE	CHK	ANG	±1/2"	FINISH		FMF 102827.00	
THIS DRAWING IN DESIGN AND DETAIL IS OUR PROPERTY AND MUST NOT BE USED EXCEPT IN CONNECTION WITH OUR WORK ALL RIGHTS OF DESIGN AND INVENTION ARE RESERVED THIS IS AN ELECTRONICALLY GENERATED DOCUMENT - DO NOT SCALE THIS PRINT				RFP	CAD FILE 00505340		SIZE	DRAWING NO.	REV.
				DIST			A	005053-40	A

